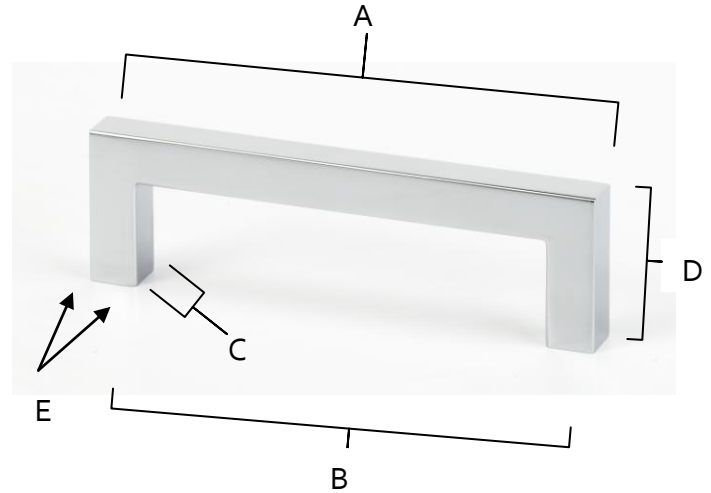


SPECIFICATIONS

STYLE CENTS
LONG PULLS



FEATURES

- Modern styling
- Multiple finishes
- Concealed installation

WARRANTY

Limited lifetime

FINISHES

- Matte Black (MB)
- Polished Chrome (PC)
- Satin Nickel (SN)
- Venetian Bronze (VBRZ)

MATERIAL

Zinc

Item#	A	B	C	D	E
A530	4 1/8"	3 7/8"	3/8"	1 1/4"	3/8"
A531	5 1/2"	5 1/16"	3/8"	1 1/4"	3/8"
A532	6 3/4"	6 5/16"	3/8"	1 1/4"	3/8"
A533	9 1/4"	8 3/16"	3/8"	1 1/4"	3/8"

KEY:

- A - Overall Length
- B - Center to Center
- C - Width
- D - Projection
- E - Mount Length

NOTE: Dimensions and specifications are subject to change without notice.