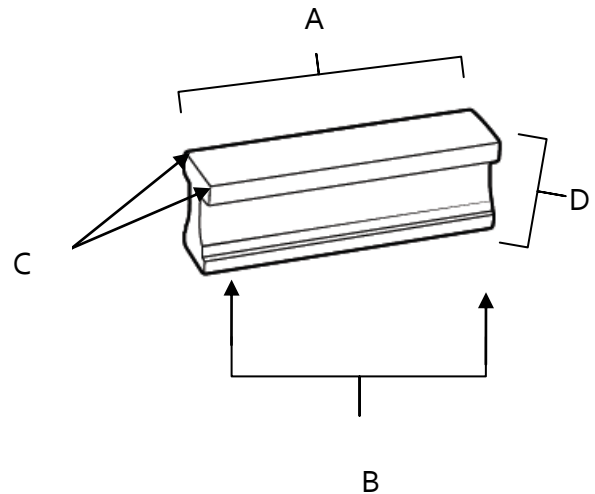


SPECIFICATIONS

**LINEAR
TAB PULLS**



FEATURES

- Modern styling
- Multiple finishes
- Concealed installation

WARRANTY

Limited lifetime

FINISHES

- Polished Brass (PB)
- Polished Chrome (PC)
- Bronze (BRZ)
- Polished Nickel (PN)
- Satin Nickel (SN)

MATERIAL

Brass

Item#	A	B	C	D
A965-3	3 1/2"	3"	5/8"	7/8"
A965-35	4"	3 1/2"	5/8"	7/8"
A965-4	4 1/2"	4"	5/8"	7/8"
A965-6	6 1/2"	6"	5/8"	7/8"

KEY:

- A - Overall Length
- B - Center to Center
- C - Width
- D - Projection

NOTE: Dimensions and specifications are subject to change without notice.

T 818.882.6028 F 818.700.1540 www.alnoinc.com