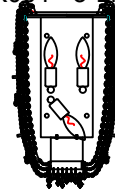


ALLEGRI

BY KALCO LIGHTING

Assembly & Installation Instructions for:
030620-010-FR001 3-Light Wall lamp

Customer Service : (702)361-4345, (800)525-2655, customer.service@kalco.com



WARNING - TO REDUCE THE RISK OF FIRE OR INJURY:

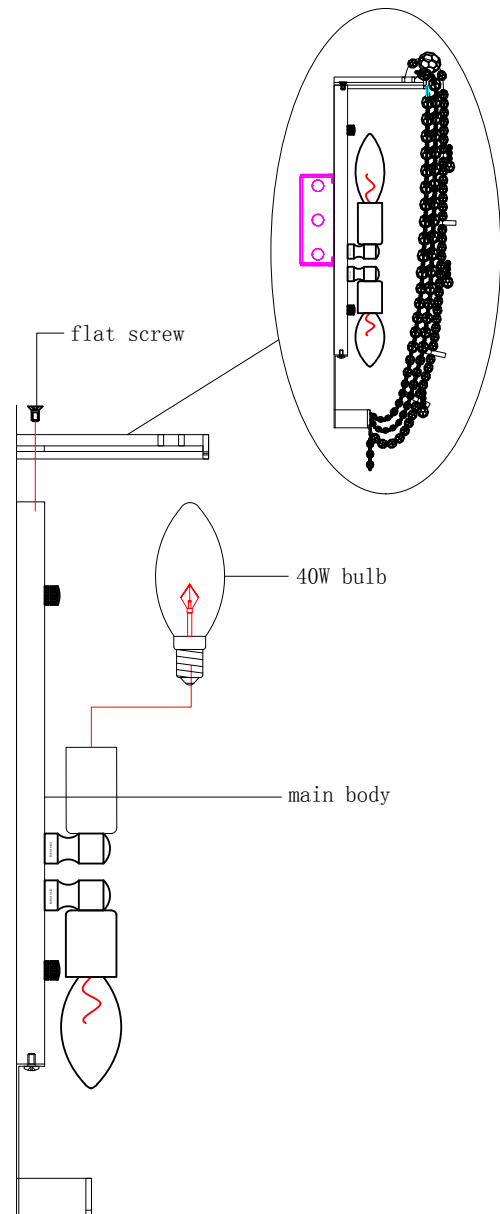
1. If you are unfamiliar with electrical wiring, call a qualified electrician to install this unit. More than one person may be necessary to install fixture, make sure you have enough qualified help.
2. Turn off the power to the fixture's circuit at the service panel. Use a voltage detector to verify that the power is off.
3. DO NOT install bulb which exceeds the maximum wattage specified on the socket label.

Fixture Assembly

Step 1. Place mount mounting and wiring steps before crystal installation step

Step 2. Assemble glass tray to the lamp body as shown, Align holes in glass tray with holes in fixture and secure glass tray to fixture using headless screw

Step 3. Install candelabra bulbs bulb, do not use bulbs that exceeds 60W



ALLEGRI

BY KALCO LIGHTING

Assembly & Installation Instructions for:
030620-010-FR001 3-Light Wall lamp

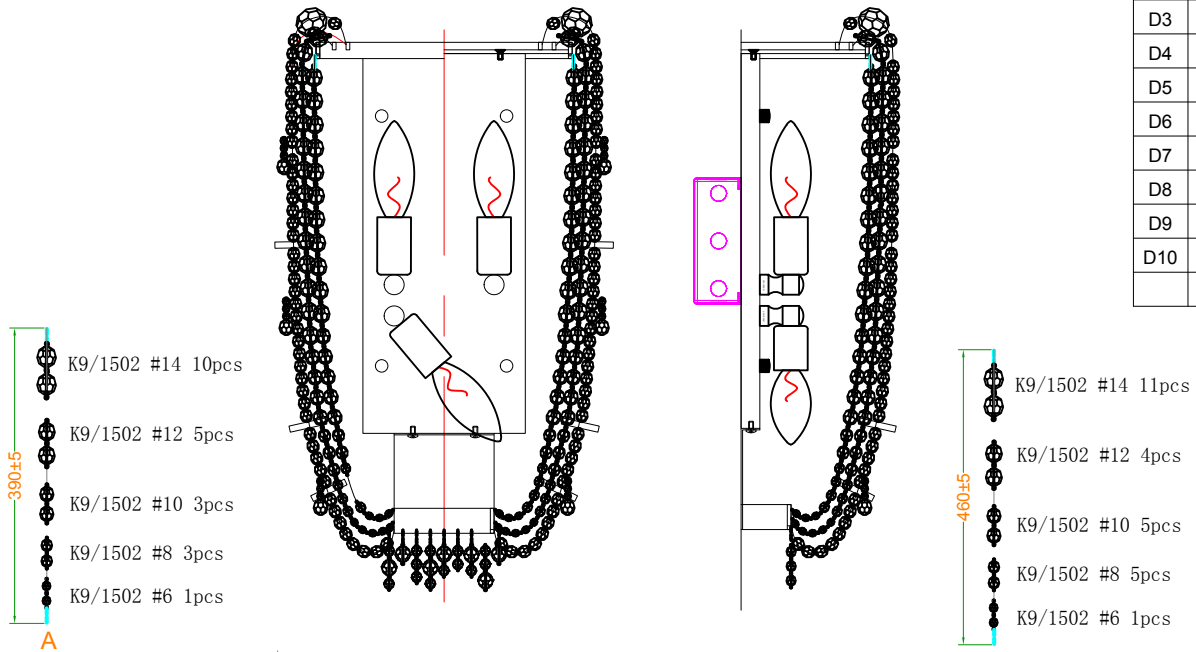
Customer Service : (702)361-4345, (800)525-2655, customer.service@kalco.com

Fixture Assembly

ATTENTION

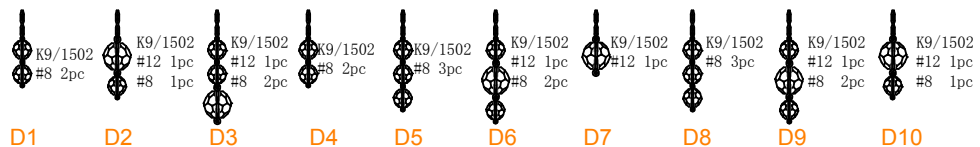
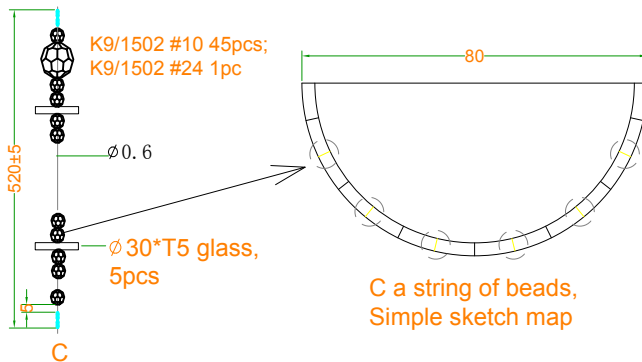
1. Take all crystal or glass parts carefully from carton, then put them on a clean cloth.
2. Start hanging crystals from bottom center to top of fixture in an alphabetical order as shown in diagram

Code	Quantity
A	21
B	20
C	6
D1	2
D2	2
D3	2
D4	1
D5	1
D6	1
D7	1
D8	1
D9	1
D10	1



- A**
- K9/1502 #14 10pcs
 - K9/1502 #12 5pcs
 - K9/1502 #10 3pcs
 - K9/1502 #8 3pcs
 - K9/1502 #6 1pc

- B**
- K9/1502 #14 11pcs
 - K9/1502 #12 4pcs
 - K9/1502 #10 5pcs
 - K9/1502 #8 5pcs
 - K9/1502 #6 1pc



D1

D2

D3

D4

D5

D6

D7

D8

D9

D10

D <D1 in turn D10>

ALLEGRI

BY KALCO LIGHTING

Assembly & Installation Instructions for:
030620-010-FR001 3-Light Wall lamp

Customer Service : (702)361-4345, (800)525-2655, customer.service@kalco.com

Fixture Assembly

Step 4. Fasten 2 (state specification of screw) into mounting plate so that they extend away from wall when mounting plate is installed

Step 5. Attach the mounting plate to outlet box with screws

Step 6. Refer to wiring diagram.
Splice the ribbed side of fixture cord to the white supply wire from outlet box with wire connector. Splice the smooth side of the fixture cord to black supply wire from outlet box with wire connector

Step 7. Carefully tuck in all wires. Attach the backplate with the mounting screw on the crossbar. Secure fixture with shell knobs.

