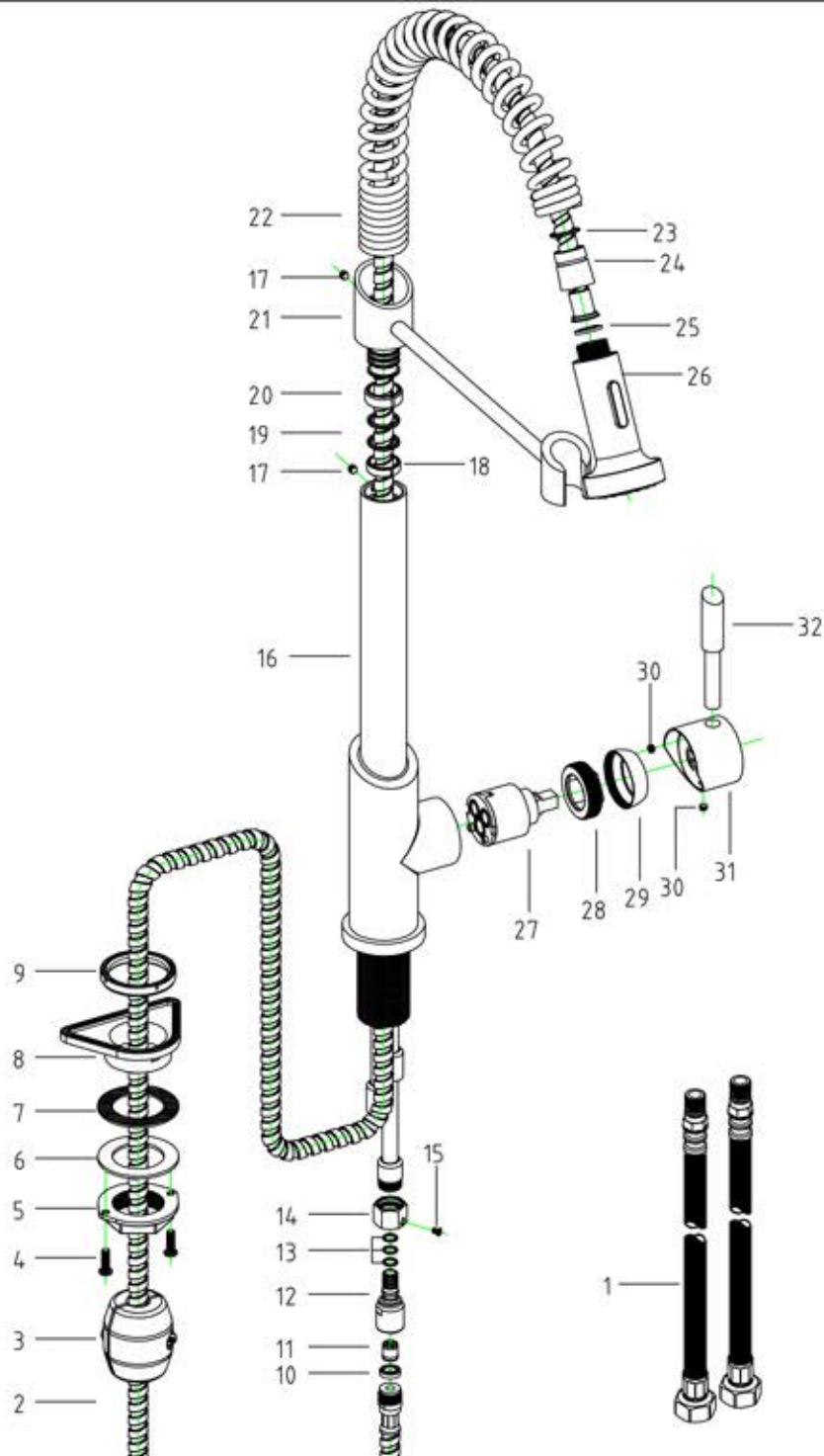


# AB2013



32	V982	handle lever	1	∅14	304	brushed
31	V103	handle cover	1	M5	304	brushed
30	SCW-50040U-A	screw	2	M5 L4	304	
29	V101	fixed cover	1	M37×1	304	brushed
28	V102	screw nut	1	M37×1	304	
27	KS-35LA-KEROX	cartridge	1	35#	ceramic	KEROX
26	TLT004	hand shower	1	G1/2	304	brushed
25	GRS-190110220-R	rubber ring	1	∅19×∅11×2.2	rubber	KTW
24	V818	hose connector	1	G1/2	304	brushed
23	OR200200	O ring	1	∅20×2	dingqing	black
22	GT2013-02	spring	1	∅32	304	brushed
21	GT2013-03	shower holder	1	∅30×18	304	brushed
20	V811	plastic sleeve	1	∅24.4	PA6	white
19	OR-213265	O ring	2	∅21.3×2.65	dingqing	white
18	V812	plastic sleeve	1	∅21.8	PA6	white
17	SCW-50050U-B	screw	2	M5 L5	304	
16	GT2013-01	spout	1	M37×1	304	brushed
15	SCW-30050X-S	fixed screw	1	M3 L5	304	
14	V144	screw	1	M3	304	
13	OR-100150	rubber ring	3	∅10×1.5	dingqing	KTW
12	V143	connector	1	M15×1	304	
11	DW10/DN6	check valve	1	∅10	plastic	DVGW
10	GRS-135080300-R	rubber ring	1	∅13.5×∅8×3	rubber	KTW
9	GRS-490380730-R2	rubber ring	1	∅4.9×∅38×7.3-R2	rubber	black
8	V814	plastic base	1	∅37.5	plastic	white
7	GRS-530340200-R	rubber ring	1	∅53×∅34×2	rubber	black
6	V125	gasket	1	∅53×∅34.3×1.5	304	
5	V122	screw nut	1	M34×1.5	304	
4	V657	screw	2	M5	304	
3	ZC-600G	weight ball	1	600G	lead alloy	black
2	TLG-M151750-1	shower hose	1	M15×1 L1750	nylon	DVGW
1	FHS-G1/2M10500-1	flexible hose	2	M10 L500	304	DVGW
NO	Parts models	Name of parts	QTY	Specifications	Material	Remarks

Series name \_\_\_\_\_ Drawing people Stronge Zeng inspector Norman Yang

Customer number \_\_\_\_\_ Factory number GT2013 Date 2012-12-24

Product name Sink mixer with pull-out hand spray Editions A