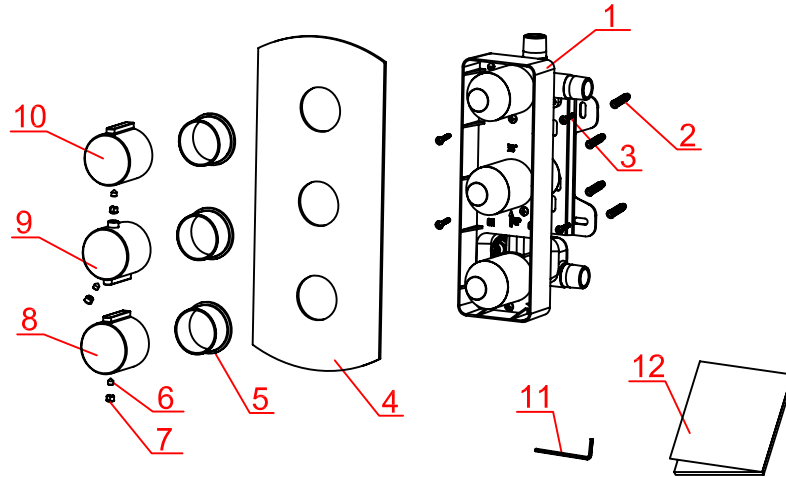


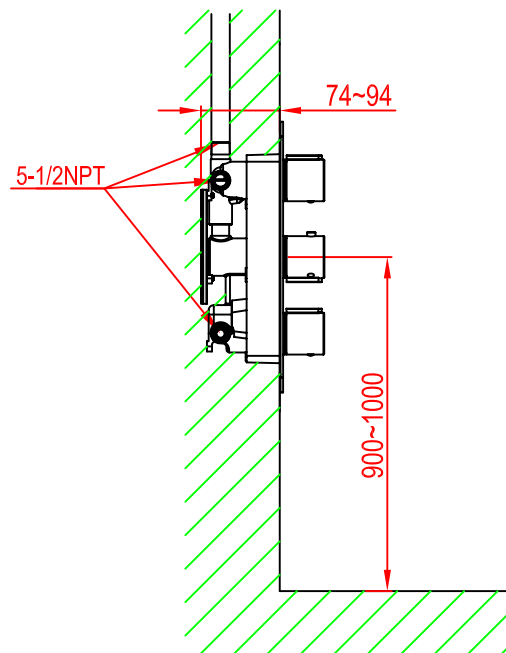
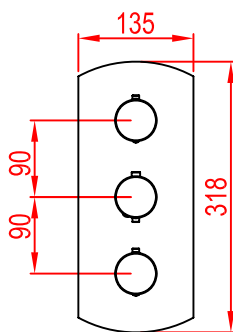
Component check:

1. List of components for checking reference.
2. Image of product for reference only.



List of Components	Qty.	List of Components	Qty.	List of Components	Qty.
1. Rough-in body	1	5. Decorative cover	3	9. Temperature handle	1
2. Swelling Plastic Button	4	6. Screw	3	10. Diverter handle	1
3. Tapping screw	4	7. Decorative plug	3	11. Allen wrench	1
4. Plate	1	8. Volume handle	1	12. Manual	1

※ Basic Dimensions



※ Specification

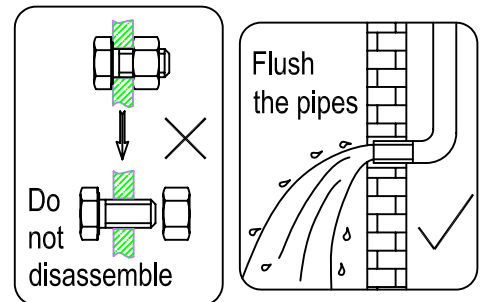
1. Applicable inlet water pressure: 0.03-0.6MPa, better to be 0.1-0.5MPa, pressure difference between hot and cold water is: 0.6MPa.
2. Temperature of supplying water: hot water to be 50°C-80°C, cold water to be 5°C-25°C.
3. Mixing water temperature can be adjusted from 38°C to 49°C with ± 2 °C.
4. With 38°C safety lock button.
5. With automatic shut-off in case of short-supply of cold water.

※ Supplying pipes checking

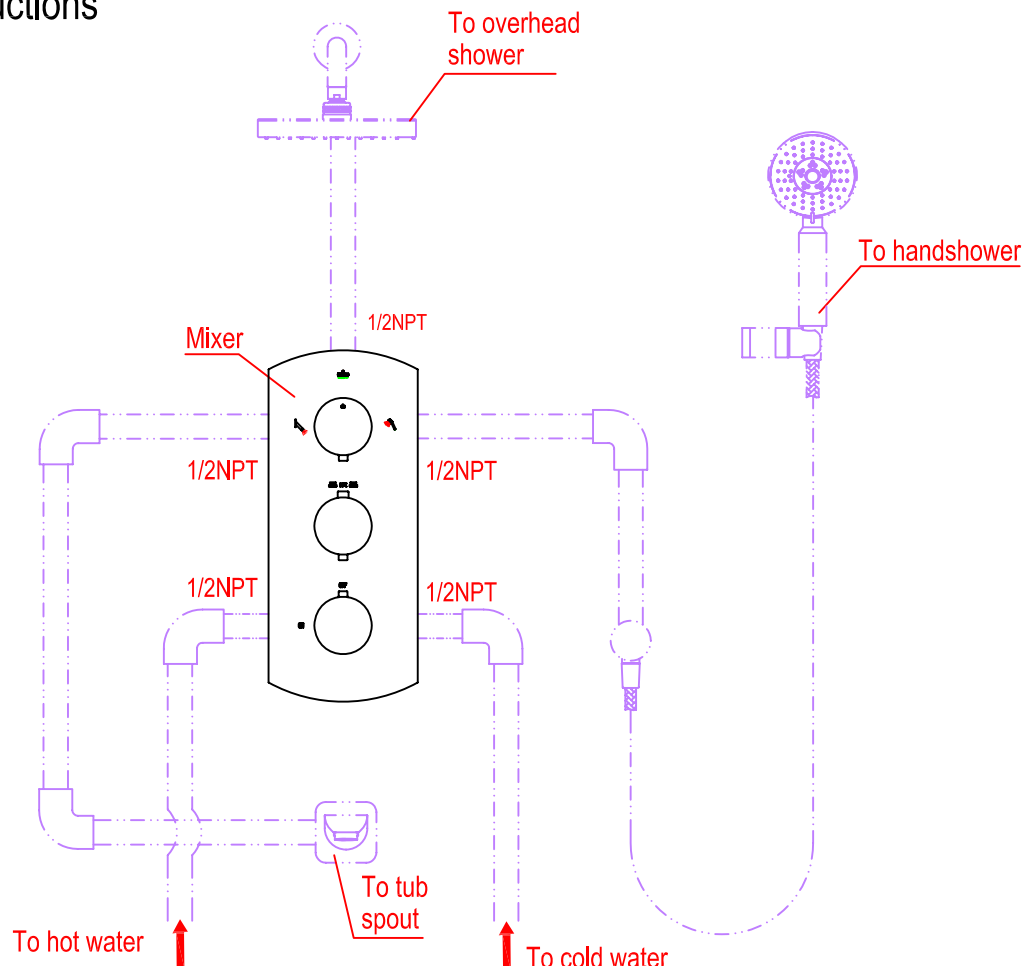
- ? When turning the mixer off, test tightness of parts before cartridge by adding water pressure up to 1.6Mpa \pm 0.05Mpa.
 ? When turning the mixer on, stop the outlets and test tightness of parts after cartridge by adding water pressure up to 0.4Mpa \pm 0.02Mpa.

? Important

1. Applicable Pressure: 0.3-0.6MPa (Water container shall be 3 meters higher).
If supplying water pressure is beyond above range, compression or decompression is necessary.
2. Flush the water supplying pipes before installation of this concealed mixer.
3. Connect this concealed shower mixer to hot/cold water supplying correctly, if facing at the front, left to hot water and right to cold water.
4. The temperature of hot water supplying shall not be higher than 80°C, otherwise, thermostatic cartridge may be destroyed.
5. Do not use glue when connecting this concealed shower mixer to hot/cold water supplying pipes, Check tightness of every joints after installation.
6. Wash the filters periodically (once for 6-12 months).
7. Please do not use spare parts from other manufacturers for any replacement.
8. Product warranty is 12 months under proper installation and maintenance.

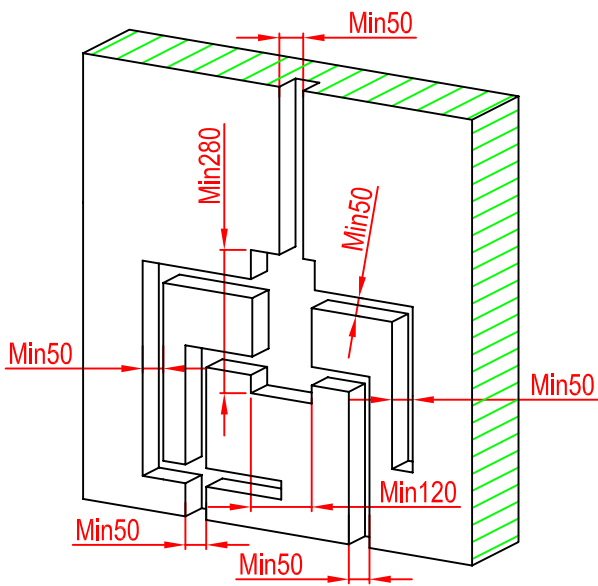


? Installation Instructions



※ Installation procedures

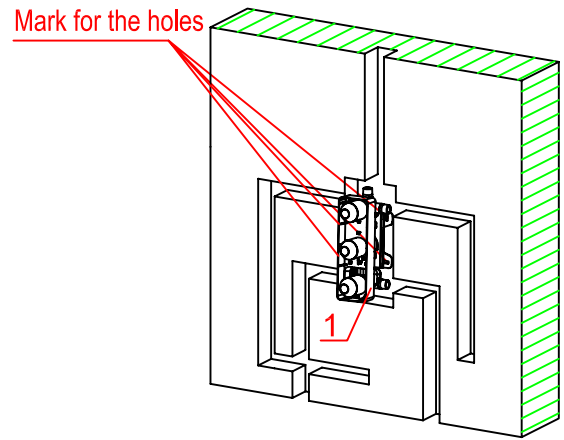
1.



Carving chart

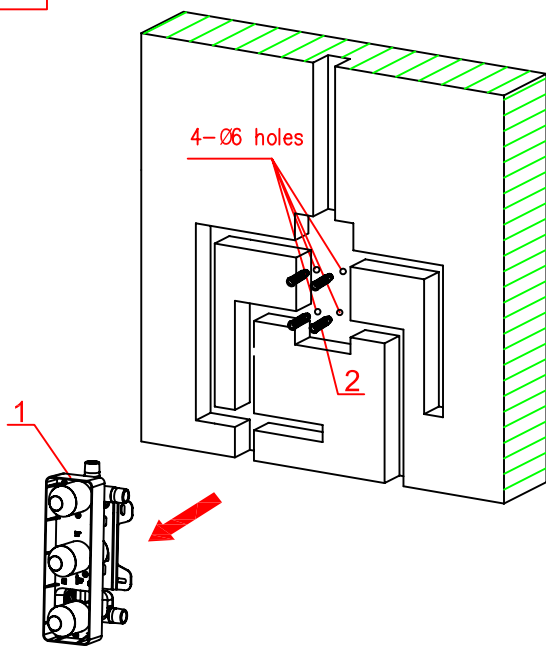
1. Carve the wall according to the above chart.

2.



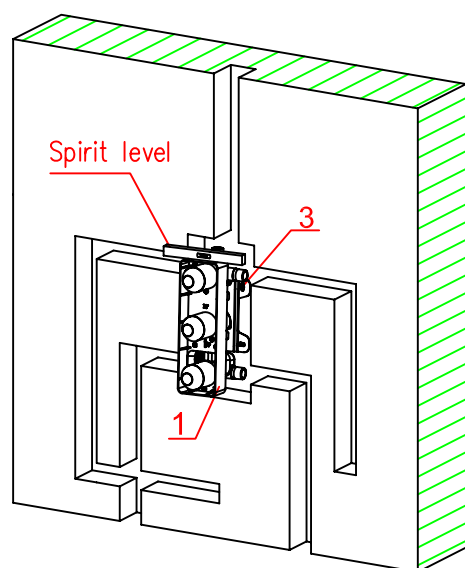
2. Put the rough-in body into the wall to mark for the holes.

3.



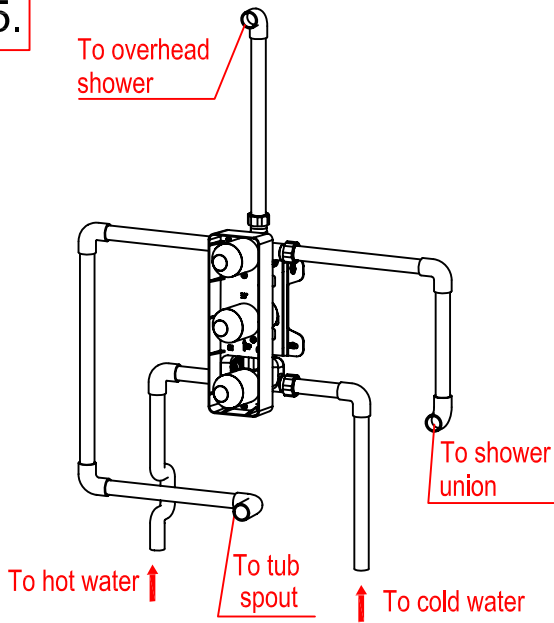
3. Remove the rough-in body, and then dig 4-Ø6 holes as per markings, knock the 4 swelling plastic (2) buttons into the wall.

4.

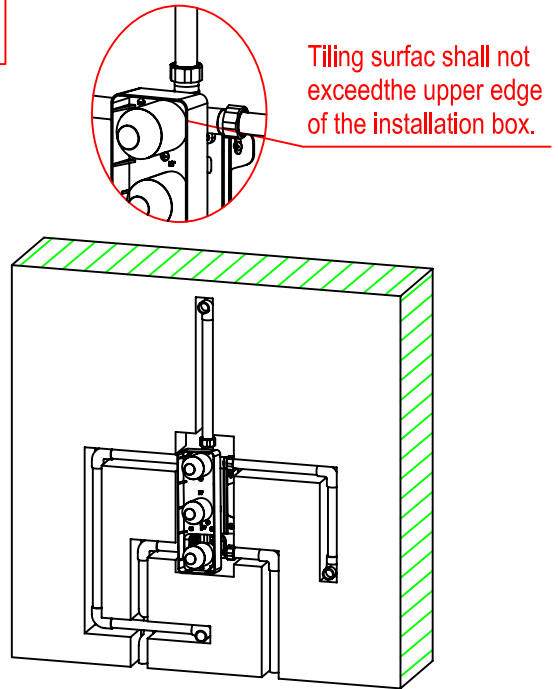


4. Put the tapping screws(3) into the swelling plastic button with a screw driver, make sure that the rough-in body is horizontal with the spirit level, and then fix the rough-in body by tightening the tapping screws.

5.



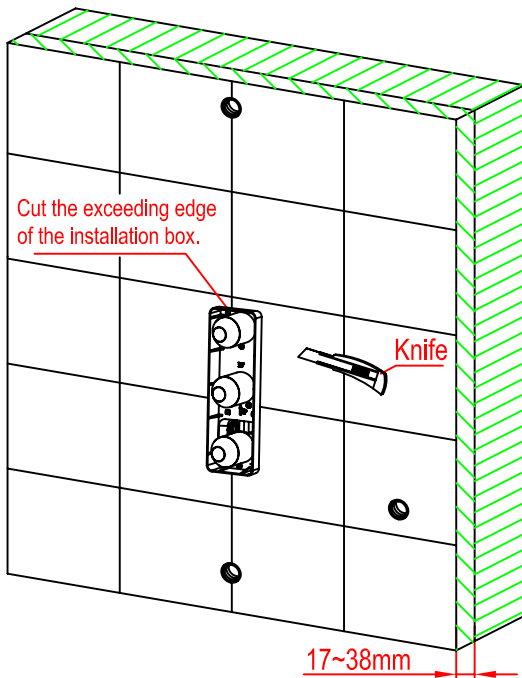
6.



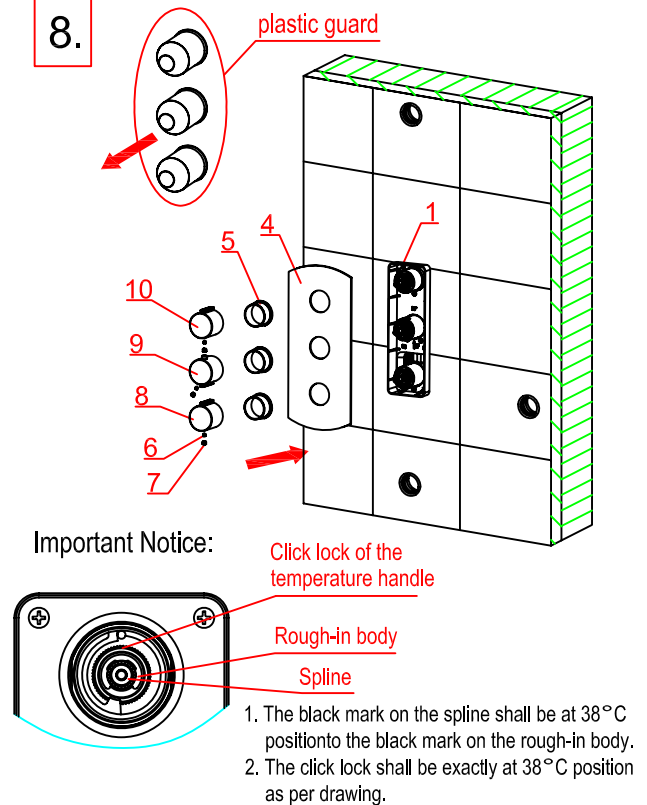
5. Connect the rough-in body to water supplying pipes according to above drawings, ensure no leakage of all pipes.
 Testing pressure:
 When turn mixer off, test water supplying pipes and mixer at pressure $\leq 1.6\text{MPa}$.
 When turn mixer on, test water supplying pipes and mixer at pressure $\leq 0.4\text{MPa}$.

6. Tiling the wall, max. tiling thickness: 17~38mm, Tiling shall not exceed the upper edge of the installation box.

7.



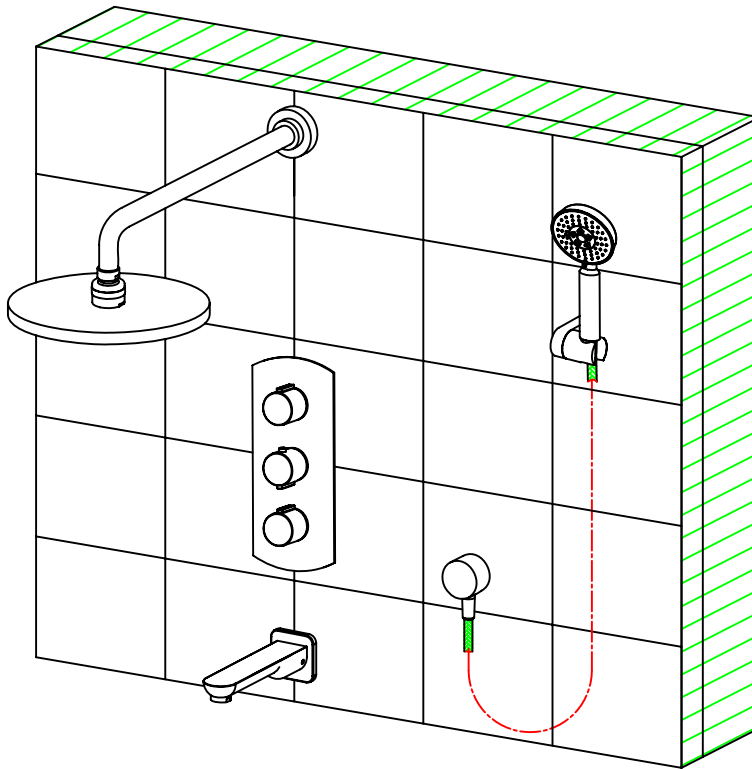
8.



7. In case of exceeding of the installation box from the tiling wall, cut it to install the covering plate.

8. Remove the plastic guard, put the plate (4) on through, screw the 3 covers (5) onto the rough-in body, and also the 3 handles (10, 9 and 8) on. Fix the 3 handles after adjusting to the right position, and then put the decorative plugs (7) on.

9.



9. After connecting the overhead shower, tub spout, handshower, open the water supplying to check if any leakage of every joints.

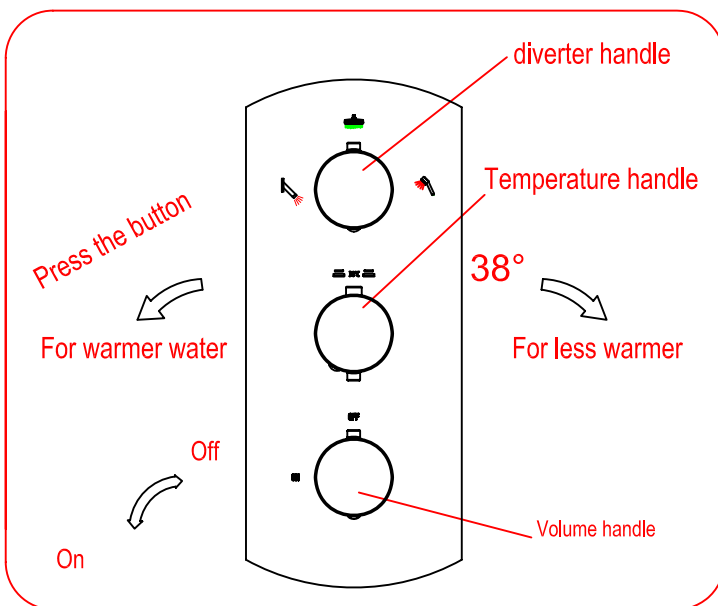
? Operation:

? Operation of the volume handle:

Turn anti-clockwise to open water, clockwise to off.

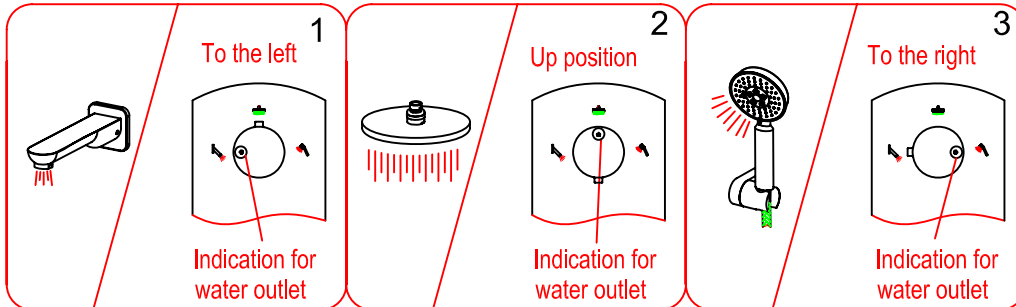
? Operation of temperature handle:

Temperature set at 38°C position, turn anti-clockwise for warmer water, otherwise for less warmer water.



? Operation of diverter handle as per indications:

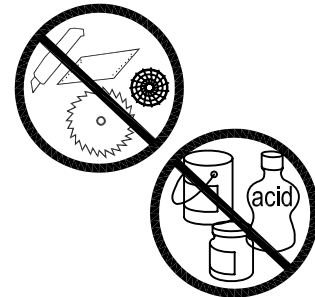
- 1) Rotate to the left for spout outlet;
- 2) Rotate to up position for overhead shower outlet;
- 3) Rotate to the right for handshower outlet.



※ Maintenance:

? To keep the product clean & shining, follow the steps as below:

1. Wash with clean water & dry with soft cloth only;
2. Clean with soft liquid or glass detergent.
3. Do not wash with any abrasives or tile cleaner.
4. Do not wash with any acid or grain detergent or soap



※ This installation manual is for reference only,
and subject to change with further notice.