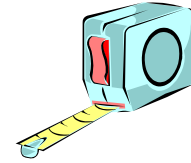




IMPORTANT



Templates must be printed without size modifications and verified for dimensional accuracy.

- Before printing, select the printing options necessary to ensure that copies are produced without size adjustments.
- After printing, measure the dimensions indicated on the template to ensure correct scale.

ET-PDL

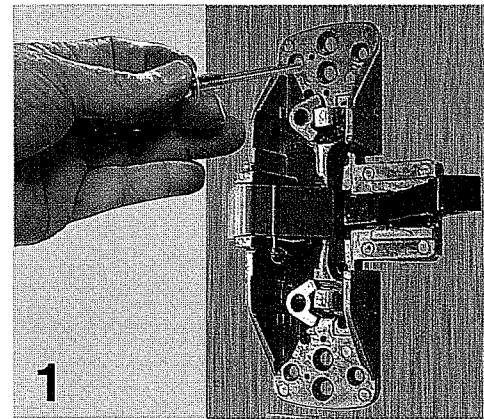
Trilogy® Panic Exit Device Trim



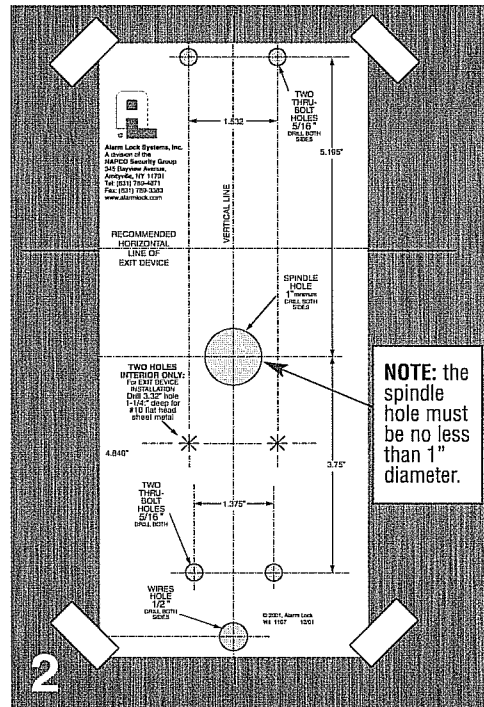
Sargent

Model 8800
Rim Exit Device

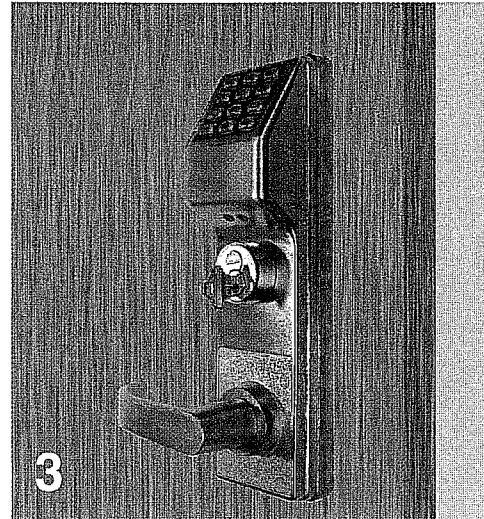
INSTRUCTIONS & TEMPLATE



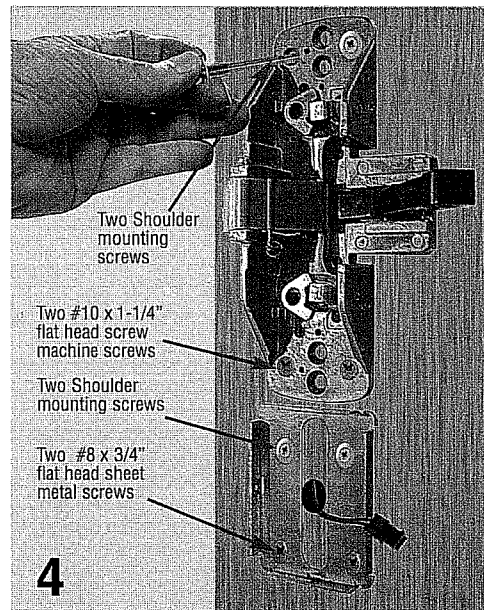
1. Existing installation: Remove Exit device from door.



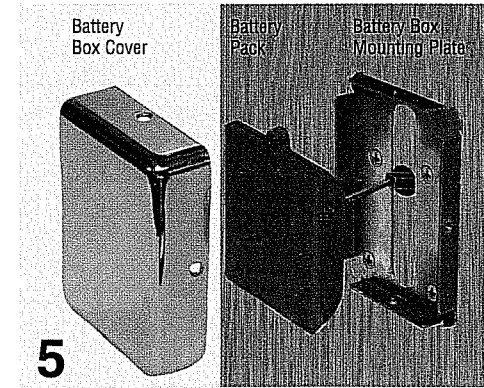
2. Existing Installation: Position Alarm Lock template on horizontal & vertical lines of existing spindle hole. **New Installation:** Locate and mark horizontal and vertical lines indicated in Exit Device Instructions/Template. Line up Alarm Lock template with horizontal and vertical lines and tape on door. **Existing and New Installations:** Mark all hole centers on each side of door. Drill all holes from both sides of door to avoid splintering.



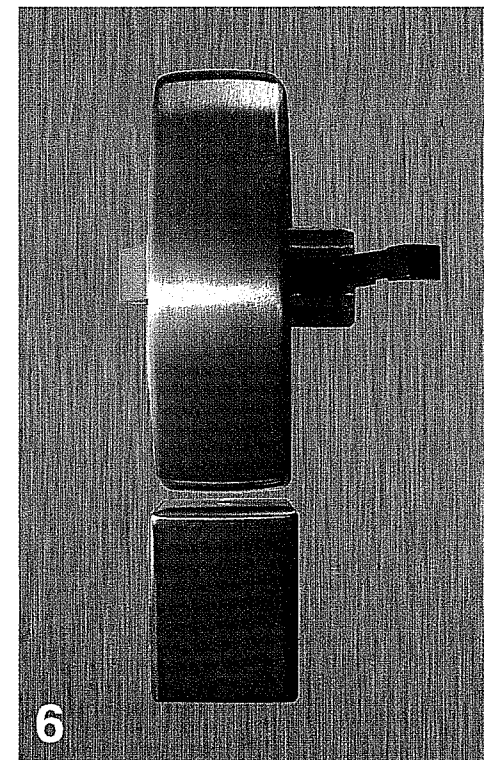
3. Position Exterior assembly on door.



4. Replace Exit Device, insert and fasten with 2 new Shoulder mounting screws, on top of Exit Device into mounting posts. Fasten two #10 x 1-1/4" flat head sheet metal screws in lower mounting holes. Do not over tighten. Pull wires from door through Battery Mounting Plate. Do not pinch or cut wires. Position plate below Exit Device and fasten with two Shoulder screws on top, into mounting posts and two #8 x 3/4" flat head sheet metal screws on the bottom.



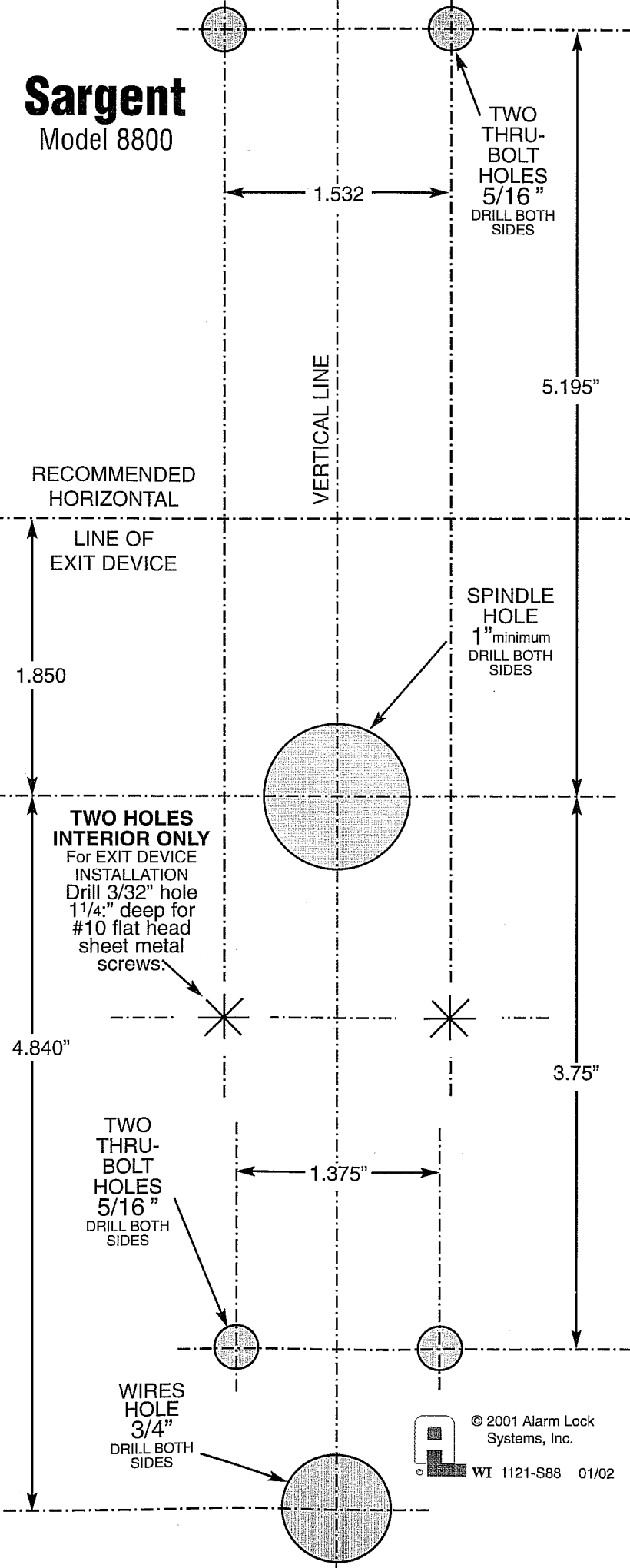
5. Connect battery pack and place inside of battery mounting plate. Position cover and fasten with three #6-32 x 5/16" screws.



6. Replace and fasten Exit Device & Battery box covers.

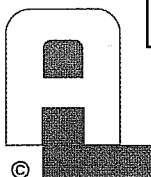
Check lock for proper operation before closing door.

Sargent Model 8800

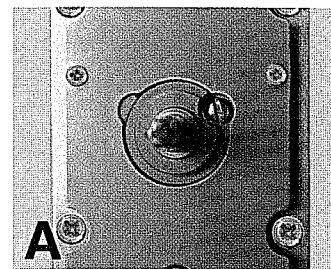
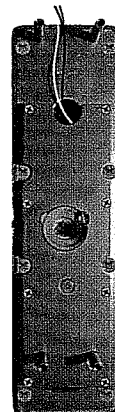


To Change Cylinder

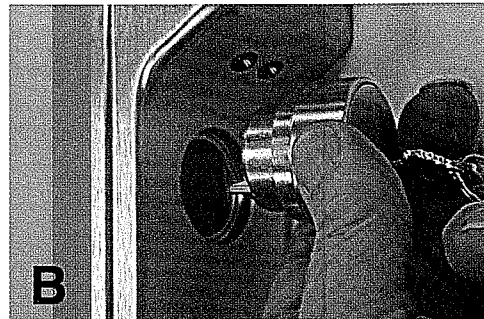
IMPORTANT:
When replacing cylinder be sure to use the proper Cylinder Adapter and Tailpiece.



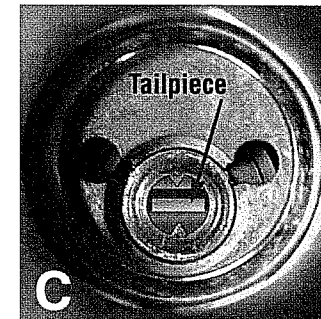
Alarm Lock Systems, Inc.
A division of the NAPCO Security Group
345 Bayview Avenue, Amityville, NY 11701
Tel: (631) 789-4871 Fax: (631) 789-3383
www.alarmlock.com



A. Remove Cover plate. Rotate the spindle either direction to expose and remove cylinder screws.



B. Remove old cylinder and Insert new cylinder.



C. NOTE the tailpiece must be in the above horizontal position.