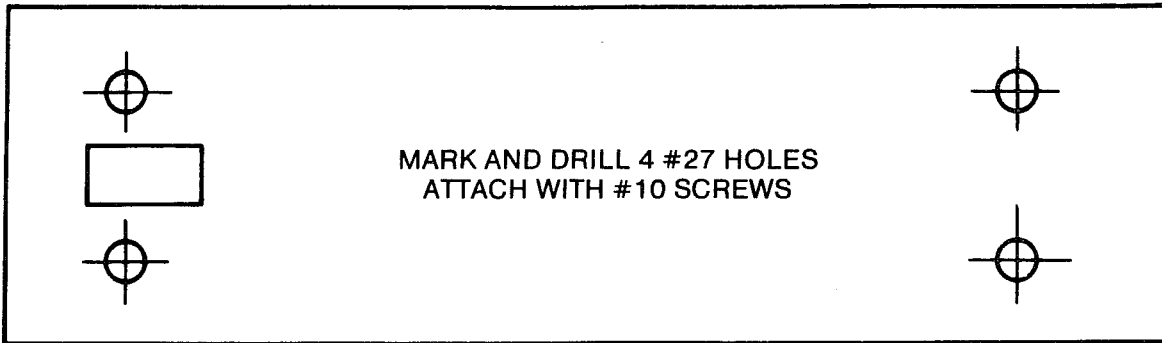


INSTALLATION TEMPLATE FOR #103 & #104 LEKTROLOK



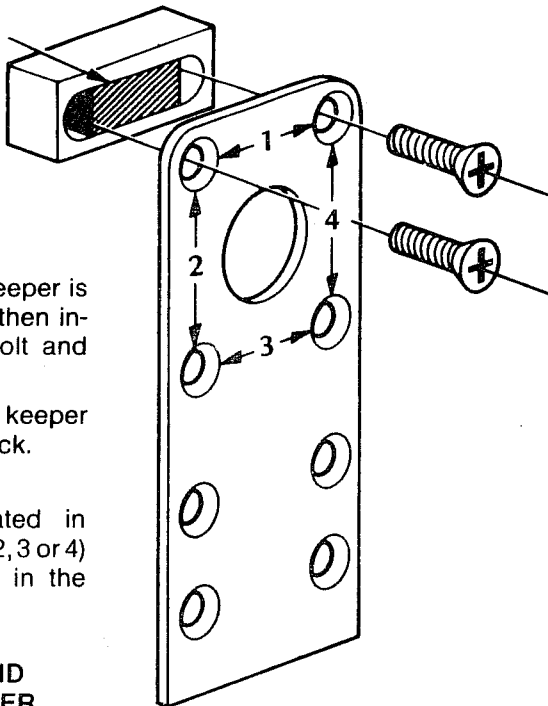
RIGHT HAND

FOLD 90° ON DOTTED LINE

HEADER
DOOR

FLUSH AND MORTISE KEEPER INSTALLATION

MAGNET



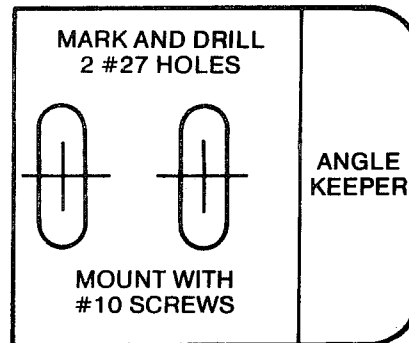
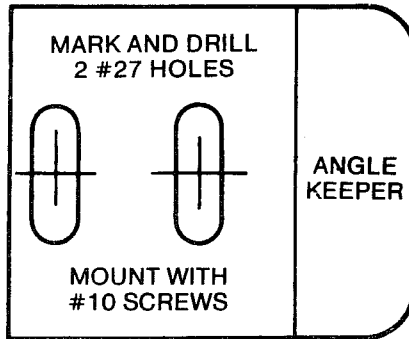
When mortise or flush keeper is used attach keeper first then install lock so that the bolt and keeper are aligned.

Install magnet on mortise keeper using small retaining block.

NOTE

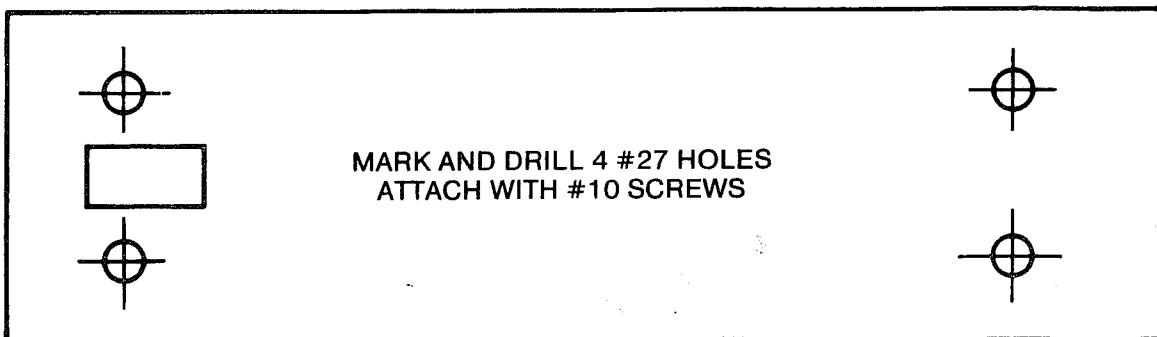
Magnet must be located in proper position (either 1, 2, 3 or 4) next to the reed switch in the lock.

USE #30 DRILL AND ATTACH THIS KEEPER WITH 4 #8 SCREWS



FOLD 90° ON DOTTED LINE

DOOR
HEADER



LEFT HAND