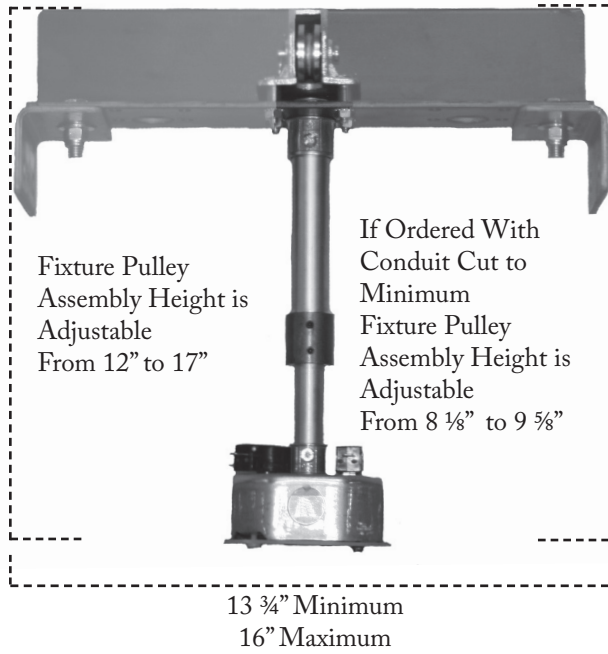
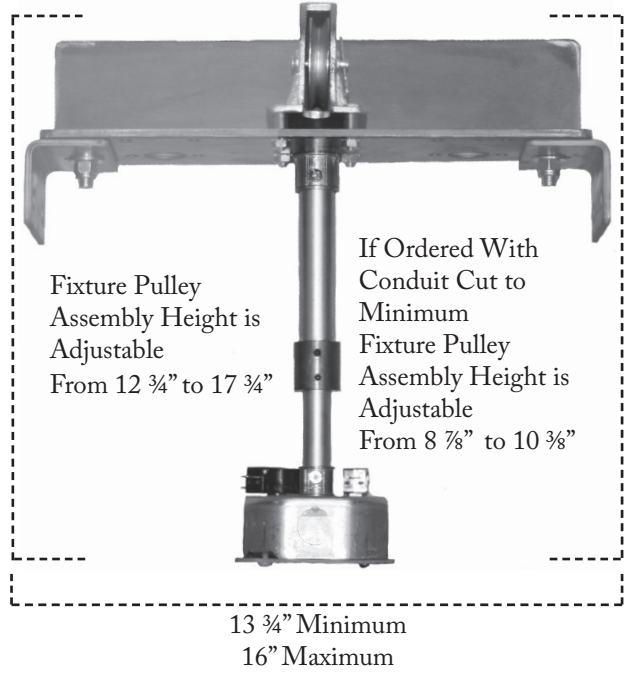


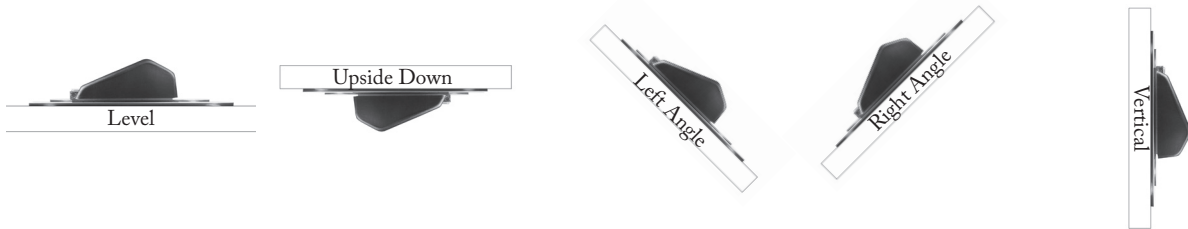
### ALL200RM/300RM Fixture Pulley Assembly



### ALL700RM/1000RM Fixture Pulley Assembly



The remote mount light lift may be mounted on an angle, vertically, horizontally or upside down, if secured properly.. See diagram below for examples.



#### Directional Pulley Diagrams

