



SPECIFICATIONS
OA SERIES
 DUCTING ADAPTERS

Professional Series Range Hood Ducting Adapters

• **Construction**

Galvanized steel with mounting flange

• **Damper**

Steel ring with aluminum, butterfly type spring loaded damper blades. Included with Vertical Ducting models only. Available separately for other ducting options.

• **Uses**

For use with all Professional and Energy Star® Professional Range Hood Series models

Adapter Model	Use with Pro Series Blower
OA6VD, OA6HD	B300, B500, B600
OA8VD, OA8HD	B900
OA10VD, OA10HD	B1200

• **Shipping Information**

Vertical Ducting

OA6VD: UPC: 0-8316230372-1
 Shipping Weight: 2.3 lbs.

OA8VD: UPC: 0-8316230382-0
 Shipping Weight: 2.3 lbs

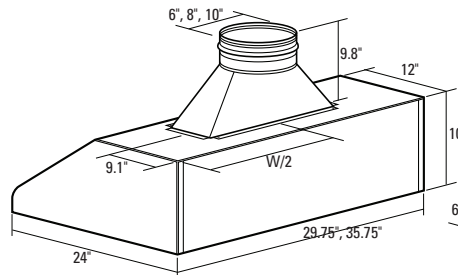
OA10VD: UPC: 0-8316230392-9
 Shipping Weight: 2.3 lbs.

Rear Ducting

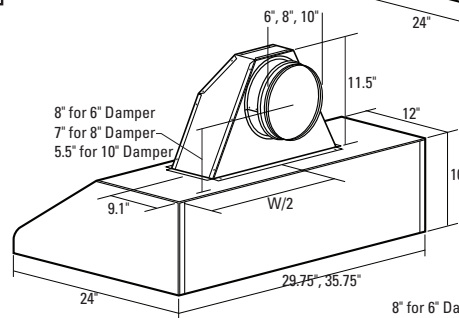
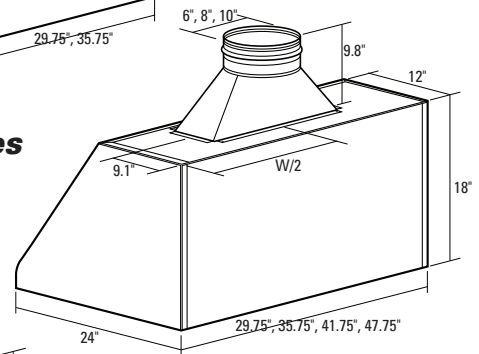
OA6HD: UPC: 0-8316230343-1
 Shipping Weight: 2.3 lbs

OA8HD: UPC: 0-8316230352-3
 Shipping Weight: 2.3 lbs.

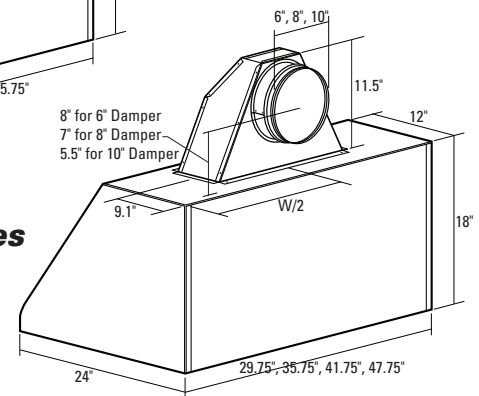
OA10HD: UPC: 0-8316230333-2
 Shipping Weight: 2.3 lbs



OA6VD Series



OA6HD Series



PROJECT							ARCHITECT			
LOCATION							ENGINEER			
CONTRACTOR							SUBMITTED BY			DATE
FAN NUMBER	MODEL NUMBER	CFM	IN W.C.	RPM	WATTS	AMPS	SONES	QTY	OPTIONAL EQUIPMENT & REMARKS	

United States:
 West Chester, Pennsylvania
 Tel: (610) 692-7400 • 877-304-3785
 Fax: (610) 696-8048

Canada:
 Brampton, Ontario
 Tel: (905) 456-2033 • 800-250-8767
 Fax: (905) 456-1015