



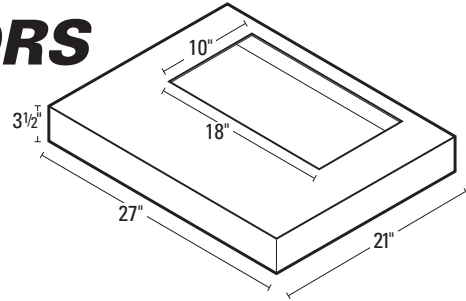
SPECIFICATIONS
LINERS
 RANGE HOODS

Power Unit Insert Liners

• **Dimensions**

- HL30RS:** Overall bottom projection - 27"
 Overall top projection - 21"
 Height - 3 1/2"
- HL28RS:** Overall width - 28.5"
 Overall depth - 21"
 Height - 3 1/2"
- HL362RS:** Overall width - 33"
 Overall depth - 21"
 Height - 3 1/2"

HL30RS



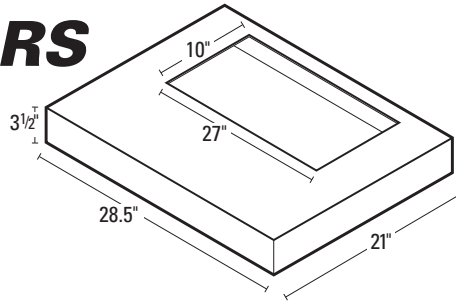
• **Body**

24 Gauge Stainless Steel

• **Power Unit Opening**

- HL30RS:** 18"W x 10"D
- HL28RS:** 27"W x 10"D
- HL362RS:** 30"W x 10"D

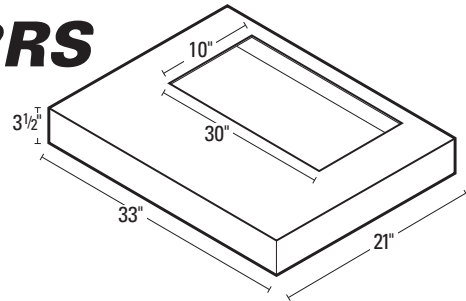
HL28RS



• **Usage**

- HL30RS:** SEV24S, SEV24AB
- HL28RS:** SEV28S, ESSEV28, SEV28AB
- HL362RS:** SEV30S, ESSEV30

HL362RS



PROJECT							ARCHITECT			
LOCATION							ENGINEER			
CONTRACTOR							SUBMITTED BY			DATE
FAN NUMBER	MODEL NUMBER	CFM	IN W.C.	RPM	WATTS	AMPS	SONES	QTY	OPTIONAL EQUIPMENT & REMARKS	



U.S.: West Chester, PA 19380
 Phone: (877) 304-3785
 Fax: (610) 696-8048
 Email: sales@airkinglimited.com

Canada: Brampton, Ontario L6T 2J3
 Phone: (905) 456-2033
 Fax: (905) 456-1015
 Email: casales@airkinglimited.com