

# IMPORTANT INSTRUCTIONS - OPERATING MANUAL

FRAK, FRAKH, FRAKD, FRAKV



Exhaust Fan



## READ AND SAVE THESE INSTRUCTIONS

READ CAREFULLY BEFORE ATTEMPTING TO ASSEMBLE, INSTALL, OPERATE OR MAINTAIN THE PRODUCT DESCRIBED. PROTECT YOURSELF AND OTHERS BY OBSERVING ALL SAFETY INFORMATION. FAILURE TO COMPLY WITH INSTRUCTIONS COULD RESULT IN PERSONAL INJURY AND/OR PROPERTY DAMAGE!



RETAIN INSTRUCTIONS FOR FUTURE REFERENCE.

## GENERAL SAFETY INFORMATION

When using electrical appliances, basic precautions should always be followed to reduce the risk of fire, electric shock and injury to person, including the following:



**WARNING:** TO REDUCE THE RISK OF FIRE, ELECTRIC SHOCK AND INJURY TO PERSON, OBSERVE THE FOLLOWING:

- Use this unit only in the manner intended by the manufacturer. If you have questions, contact the manufacturer.
- Before servicing or cleaning the unit, switch power off at service panel and lock the service disconnecting means to prevent power from being switched on accidentally. When the service disconnecting means cannot be locked, securely fasten a prominent warning device, such as a tag, to the service panel.

- Ducted fans must always be vented to the outdoors.
- This unit must be grounded.
- To avoid motor bearing damage and noisy and/or unbalanced impellers, keep drywall spray, construction dust, etc. off power unit.
- Read all instructions before installing or using exhaust fan.



**WARNING:** TO REDUCE THE RISK OF FIRE, ELECTRIC SHOCK, OR INJURY TO PERSONS, DO NOT USE REPLACEMENT PARTS THAT HAVE NOT BEEN RECOMMENDED BY THE MANUFACTURER (E.G. PARTS MADE AT HOME USING A 3D PRINTER).



**WARNING:** TO REDUCE THE RISK OF FIRE, ELECTRIC SHOCK AND INJURY TO PERSON, OBSERVE THE FOLLOWING:

- Installation work and electrical wiring must be done by qualified person(s) in accordance with all applicable codes and standards, including fire-related construction.
- Sufficient air is needed for proper combustion and exhausting of gases through the flue (chimney) of fuel burning equipment to prevent back drafting. Follow the heating equipment manufacturer's guideline and safety standards such as those published by the National Fire Protection Association (NFPA) and the American Society for Heating, Refrigeration, and Air Conditioning Engineers (ASHRAE), and the local code authorities.
- When cutting or drilling into wall or ceiling, do not damage electrical wiring and other hidden utilities.



**WARNING:** TO REDUCE THE RISK OF FIRE, ELECTRIC SHOCK, DO NOT USE THIS FAN WITH ANY SOLID-STATE SPEED CONTROL DEVICE.

- If this unit is to be installed over a tub or shower, it must be marked as appropriate for the application and be connected to a GFCI (Ground Fault Circuit Interrupter) – protected branch circuit.



**WARNING:** DO NOT USE IN KITCHENS.



**WARNING:** THE DUCTING FROM THIS FAN TO THE OUTSIDE OF THE BUILDING HAS A STRONG EFFECT ON THE AIR FLOW, NOISE AND ENERGY USE OF THE FAN. USE THE SHORTEST, STRAIGHTEST DUCT ROUTING POSSIBLE FOR BEST PERFORMANCE, AND AVOID INSTALLING THE FAN WITH SMALLER DUCTS THAN RECOMMENDED. INSULATION AROUND THE DUCTS CAN REDUCE ENERGY LOSS AND INHIBIT MOLD GROWTH. FANS INSTALLED WITH EXISTING DUCTS MAY NOT ACHIEVE THEIR RATED AIRFLOW.



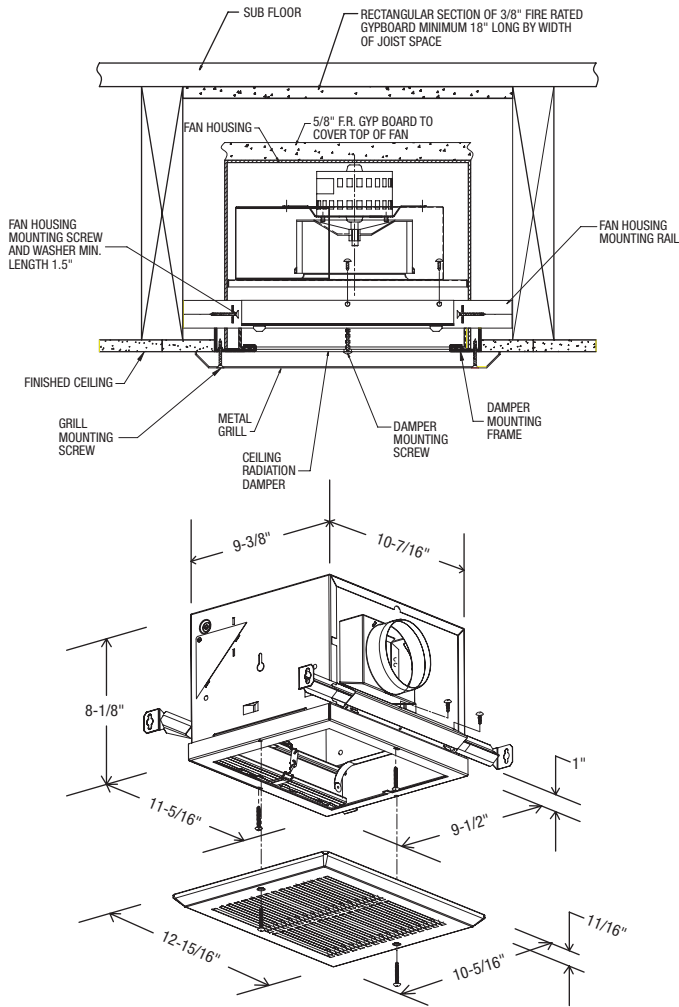
**CAUTION:** FOR GENERAL VENTILATING USE ONLY. DO NOT USE TO EXHAUST HAZARDOUS OR EXPLOSIVE MATERIALS AND VAPORS.



SEE DETAILS ON UL CLASSIFICATION MARKING ON ENCLOSED PRODUCT

## SAVE THESE INSTRUCTIONS

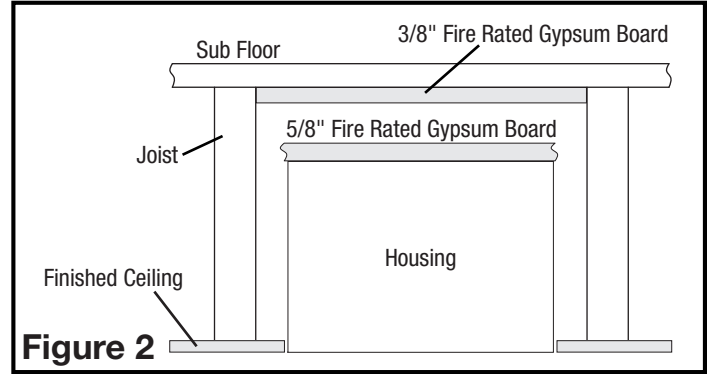
REQUIREMENTS FOR INSTALLATION IN UL/ULC RATED CEILING ASSEMBLIES  
SEE UL AND ULC FIRE RESISTANCE DIRECTORY



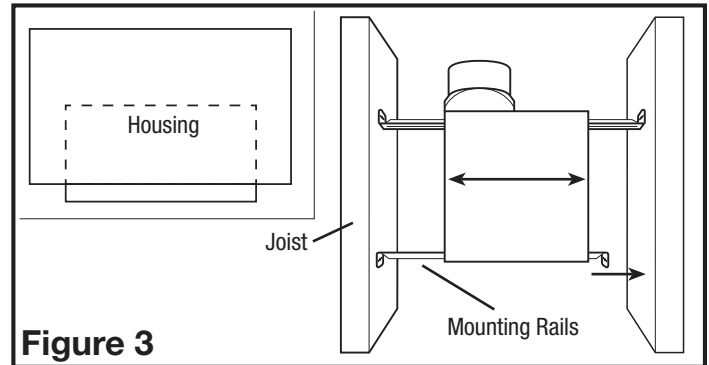
## SECTION 2

### New Construction

- As per UL and CUL fire resistance construction, install a minimum 3/8" Fire Rated gypsum board 18" long so that it is centered above the fan. The gypsum board must span the distance between the joists, typically 14.5" for joists on 16" centers (**Figure 2**).



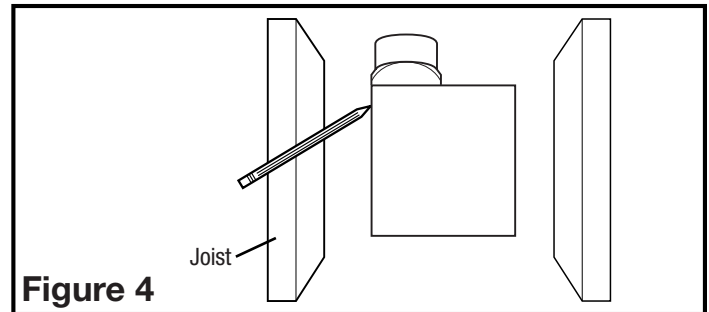
- Install the side rails on the housing and position the housing next to the joist. Line up housing so that it will be flush with the finished ceiling. Secure the ends of the rails with screws or nails (not included) to the joists and slide the housing into the final position (**Figure 3**).



## SECTION 3

### Existing Construction

- As per UL and CUL fire resistance construction, install a minimum 3/8" Fire Rated gypsum board 18" long so that it is centered above the fan. The gypsum board must span the distance between the joists, typically 14.5" for joists on 16" centers (**Figure 2**).
- Set housing in position between the joist and trace an outline onto the ceiling material (**Figure 4**). Set housing aside and cut opening, being careful not to cut or damage any electrical or other hidden utilities. Install the side rails on the housing and position the housing in the previously cut hole so that it is flush with the finished ceiling. Secure the ends of the rails to the joists (**Figure 3**).



## INSTALLATION INSTRUCTIONS

**CAUTION:** MAKE SURE POWER IS SWITCHED OFF AT SERVICE PANEL BEFORE STARTING INSTALLATION.

**WARNING:** THIS FAN MUST BE INSTALLED AS PER UL AND CUL RATED CEILING ASSEMBLY. THIS WILL REQUIRE THE INSTALLATION OF A MINIMUM 3/8" FIRE RATED GYPSUM BOARD UNDER THE SUBFLOOR AND A MINIMUM 5/8" GYPSUM BOARD TO COVER THE TOP OF THE FAN HOUSING.

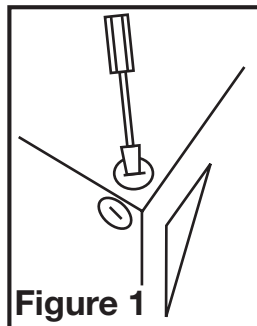
## SECTION 1

### Preparing the Exhaust Fan

- Unpack fan from the carton and confirm that all pieces are present. In addition to the exhaust fan you should have:

1 - Grill	4 - 3/8" #8 Screws
1 - Damper Assembly (attached)	4 - 7/32 washers
1 - Fire Rated Damper	2 - 1" #6 Screws
2 - 1" #8 Screws	2 - Mounting Bracket Support
4 - Mounting Rails	
1 - Instruction/Safety Sheet	

- Choose the location for your fan. To ensure the best air and sound performance, it is recommended that the length of ducting and the number of elbows be kept to a minimum, the radius of each elbow be as large as possible for the installation, and that insulated hard ducting be used. This fan will require at least 8" of clearance in the ceiling or wall, and will mount through drywall up to 3/4" thick. The fan mounts between 16" or 24" on center joists using the 4 provided mounting rails.
- Select the most convenient electrical knockout and remove using a straight-blade screw driver (**Figure 1**).
- No additional vibration deadening materials are needed for this fan.



## SECTION 4

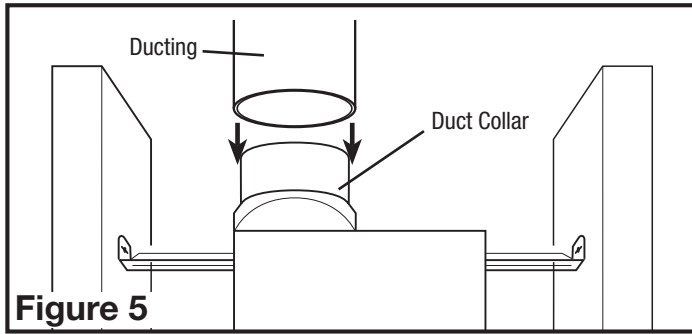
### Ducting

**NOTE:** 4" OR LARGER RIGID DUCT IS RECOMMENDED FOR BEST PERFORMANCE.

**CAUTION:** ALL DUCTING MUST COMPLY WITH LOCAL AND NATIONAL BUILDING CODES.

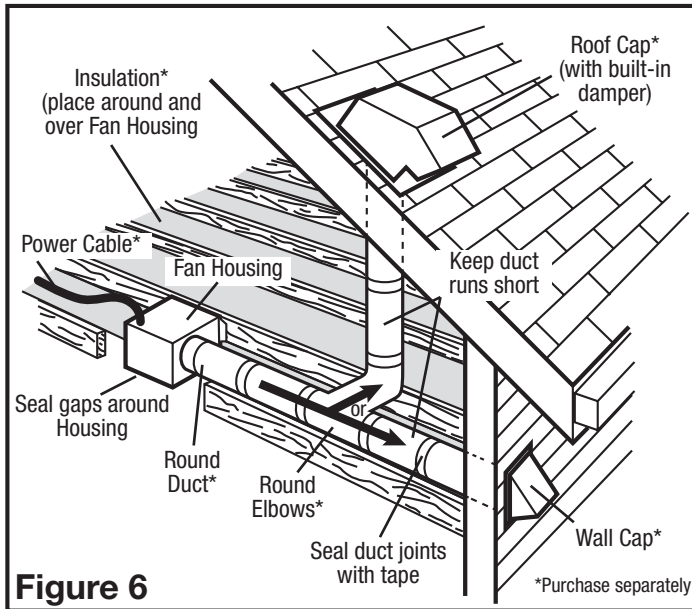
**NOTE:** The ducting from this fan to the outside of the building has a strong effect on the air flow, noise and energy use of the fan. Use the shortest, straightest duct routing possible for best performance, and avoid installing the fan with smaller ducts than recommended. Insulation around the ducts can reduce energy loss and inhibit mold growth. Fans installed with existing ducts may not achieve their rated air flow.

1. Connect the ducting to the fan's duct collar (**Figure 5**). Secure in place using tape or screw clamp. Always duct the fan to the outside through a wall or roof cap. It is recommended that low restriction termination fittings be used.



**Figure 5**

2. Ensure duct joints and exterior penetrations are sealed with caulk or other similar material to create an air-tight path to minimize building heat loss or gain and to reduce the potential for condensation. Place/wrap insulation around duct and/or fan in order to minimize possible condensation buildup within the duct, as well as building heat loss or gain (**Figure 6**).



**Figure 6**

## SECTION 5

### Wiring



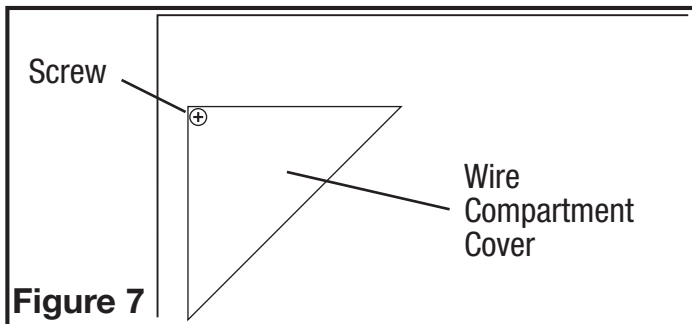
**CAUTION:** MAKE SURE POWER IS SWITCHED OFF AT SERVICE PANEL BEFORE STARTING INSTALLATION.



**CAUTION:** ALL ELECTRICAL CONNECTIONS MUST BE MADE IN ACCORDANCE WITH LOCAL CODES, ORDINANCES, OR NATIONAL ELECTRICAL CODE. IF YOU ARE UNFAMILIAR WITH METHODS OF INSTALLING ELECTRICAL WIRING, SECURE THE SERVICES OF A QUALIFIED ELECTRICIAN.

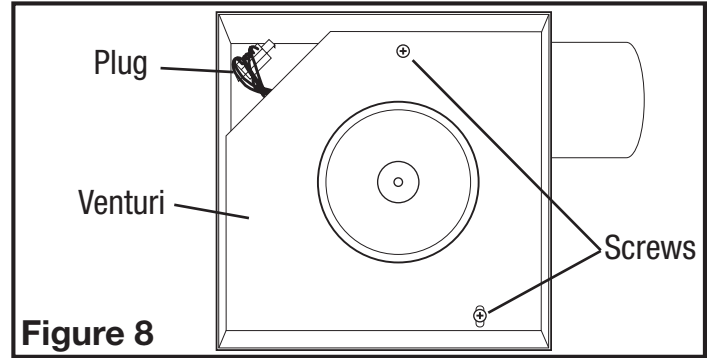
**NOTE:** This unit includes a side access panel for wiring that does not require the removal of the fan's blower assembly. If you choose to wire the unit from the inside, you will need to remove the blower assembly and internal wiring compartment. Both methods are equally effective.

- 1a. **External Wire Compartment:** Remove the wire compartment cover screw and place cover in a secure place (**Figure 7**).



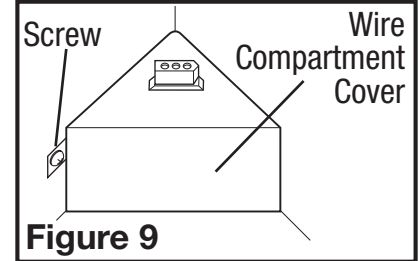
**Figure 7**

- 1b. **Internal Wire Compartment:** Remove the screws holding the venturi in place. Lift the venturi up and at an angle to slide it out of the housing (**Figure 8**). Remove the wire compartment cover screw and place the cover in a secure place (**Figure 9**).



**Figure 8**

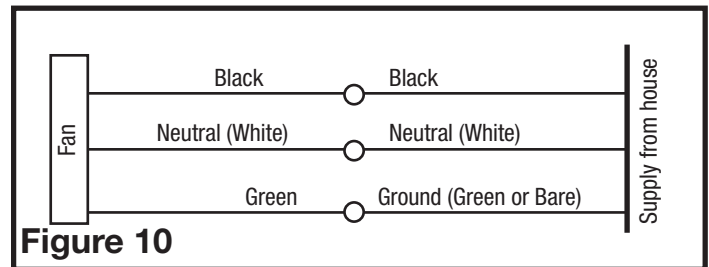
**NOTE:** If the fan motor plug is connected to the fan housing receptacle, unplug so the blower assembly can be completely removed.



**Figure 9**

### Single Speed Units

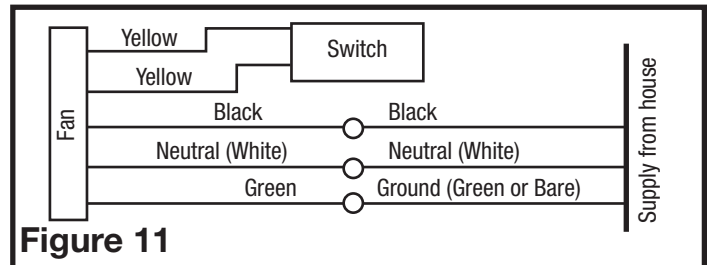
- 2a. Run wiring from an approved wall switch carrying the appropriate rating. One neutral (white), one ground (green or bare copper), and one hot (black lead connected to the switch). Secure the electrical wires to the housing with an approved electrical connector. Make sure you leave enough wiring in the box to make the connection to the fan's receptacle.
- 2b. From where you have chosen to access the fan's junction box, connect the White wire from the house to the White wire from the fan's receptacle. Connect the Black wire from the wall switch to the Black wire from the fan's receptacle. Connect the ground wire from the house to the Green wire from the fan's receptacle (**Figure 10**). Use approved methods for all connections.



**Figure 10**

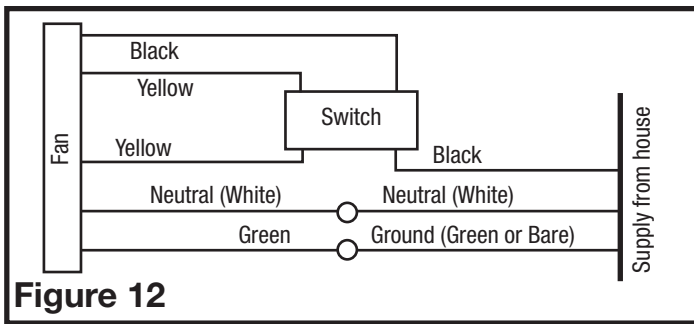
### Dual Speed Units

- 3a. **Continuous Ventilation:** For two speed fans wired for continuous ventilation, connect the White wire of the fan to the White (Neutral) wire from the power source. Connect the ground wire from the house to the green wire from the fan housing. Run 2 wires from a properly grounded wall switch (not included) to the fan. Connect the Black wire of the fan to the Black wire (Hot) from the power source. Connect the Hot Yellow wire from the fan to the input of the switch. Connect the second Yellow wire from the fan to the output side of the switch. Closing the switch will change from normal to high speed (**Figure 11**).



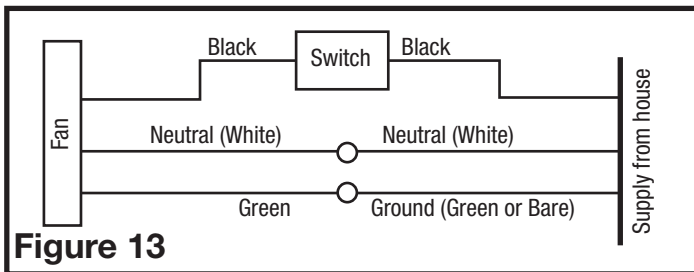
**Figure 11**

- 3b. **Intermittent Ventilation:** For two speed fans wired for intermittent ventilation with a standard duplex toggle switch (such as Leviton 5224-2W not included). Connect the White wire of the fan to the White (Neutral) wire from the power source. Connect the ground wire from the fan to the ground wire from the power source. Properly ground the switches. Connect the black wire from the supply to one side of the top switch. Connect the black wire from the fan to the other side of the top switch. Connect 1 yellow wire from the fan to each side of the bottom switch. The top switch turns the fan On & Off, the bottom switch changes speed between high and low (**Figure 12**).



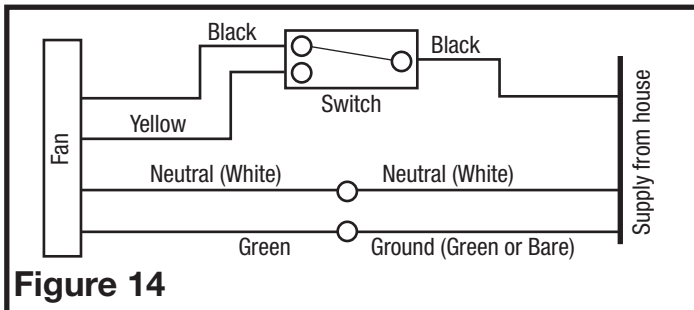
### Variable Speed Units

- 4a. Run wiring from an approved wall switch carrying the appropriate rating. One neutral (white), one ground (green or bare copper), and one hot (black lead connected to the switch). Secure the electrical wires to the housing with an approved electrical connector. Make sure you leave enough wiring in the box to make the connection to the fan's receptacle.
- 4b. From where you have chosen to access the fan's junction box, connect the White wire from the house to the White wire from the fan's receptacle. Connect the Black wire from the wall switch to the Black wire from the fan's receptacle. Connect the ground wire from the house to the Green wire from the fan's receptacle (**Figure 13**). Use approved methods for all connections.



### Humidity Sensing Models

- 5a. For proper operation the humidity sensing fan will require a 3 way switch (not included). Run wiring between the fan and the switch location. Make sure you leave enough wiring in each box to make the connections. At the switch box connect the Black wire from the house to the common terminal of the switch. Connect the black wire from the fan to one of the switched terminals on the switch. This position will energize the automatic mode and the fan will energize upon a rise in humidity. Connect the Yellow wire from the fan to the other switched terminal on the switch. This position will activate the Manual On feature and energize the fan.
- 5b. Connect the white wire from the house to the white wire from the fan. Connect the ground wire from the house to the green wire from the fan housing (**Figure 14**). Use approved methods for all connections.



**NOTE:** The fan's receptacle wires might need to be pulled outside compartment for connection. Only pull the three loose wires outside of compartment. Additional wires will be present.

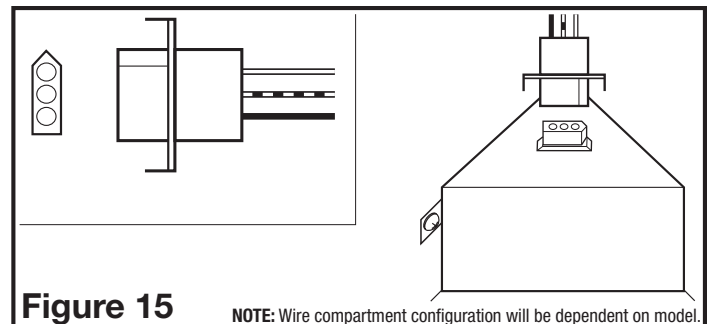
6. Carefully tuck wire back inside wire compartment and replace wire compartment cover securing with the screw that was removed earlier.

## SECTION 6

### Completing the Installation

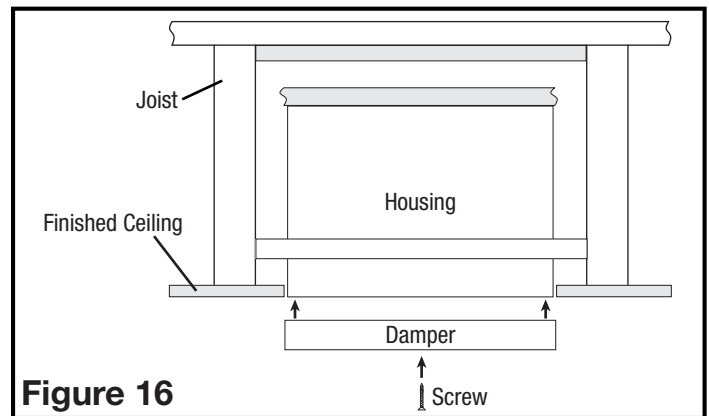
**NOTE:** This fan is rated for direct insulation contact (Type IC) and it is recommended that this fan be completely covered by insulation in order to reduce heat loss or gain to unconditioned space.

1. If the fan's blower assembly was removed during the wiring process, reinstall the blower by reversing the directions in **Section 5 (Wiring, Step 1b)**.
2. Plug the fan's quick connect motor cord into the receptacle. This cord will only fit one way into the receptacle (**Figure 15**).



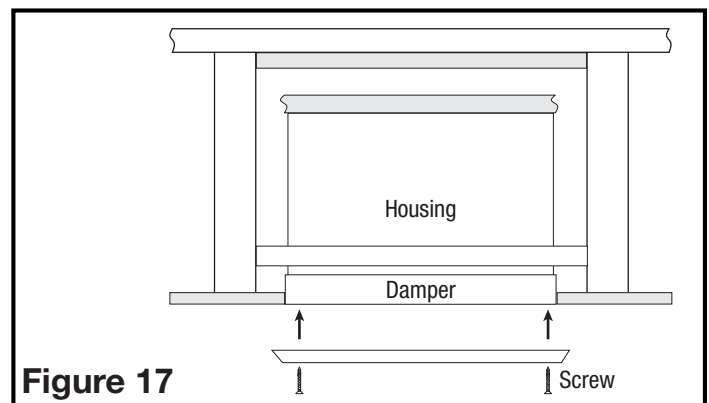
**CAUTION:** THE CEILING DAMPER SUPPLIED IS SPRING LOADED AND HAS THE POTENTIAL TO RELEASE SUDDENLY WHEN HANDLED IMPROPERLY. A DAMAGED SPRING OR DEFECTIVE FUSIBLE LINK CAN ALLOW THE DAMPER TO CLOSE VIOLENTLY INTO THE HANDLER'S HAND OR ARM, CAUSING SERIOUS INJURY. CARE SHOULD BE EXERCISED WHEN HANDLING AND INSTALLING SPRING LOADED DAMPERS. IT IS RECOMMENDED THAT GLOVES BE WORN BY HANDLERS AND INSTALLERS.

3. **INSTALLING THE CEILING DAMPER:** The ceiling damper supplied with the unit is designed to install only in Air King Model AKFH2 housings. Install the ceiling damper & ceiling damper frame into the opening of the fan housing. The ceiling damper frame is designed to fit on the outside of the housing and the ceiling damper will sit on the inside of the fan housing (**Figure 16**).



**NOTE:** For variable speed models (FRAKV), make sure fire damper curtain is mounted on the collar/damper/outlet side of the fan. Make sure you do not cover the speed adjustment knob before sealing damper.

4. Once positioned in place secure the ceiling damper frame to the fan housing using two of the supplied #6 x 1" screws. Carefully drive the screws through the two oblong slots on the ceiling damper frame into the screw retaining lances on each side of the fan housing. Complete this step slowly as you do not want to damage the lances on the housing (**Figure 16**).
5. Use a sealant appropriate for contact with the building materials present and for the temperature requirements of the installation to prevent air leakage from unconditioned spaces is recommended. If gaps between unit housing and ceiling are great, additional material (backing rod, ceiling material) may be required.
6. Once the ceiling damper is installed and secure, position the metal fan grill in place aligning the two holes in the fan grill with the two extruded holes on the ceiling damper frame. Use the remaining two #8 x 1" screws to secure the grill onto the fan (**Figure 17**).



7. Restore power and test your installation.

## SECTION 7 Setting the Humidistat

This fan may be equipped with a humidity sensor that automatically turns the fan on (or to high speed on dual speed models) when humidity is above set point and off (or back to low speed on dual speed models) when humidity is at or below set point. If the fan is operating too long or not enough, first check to see the humidity sensor set point. In cases where the ambient humidity level of the room rises higher than the preset level, the fan will turn on even if the room is not occupied. This helps prevent conditions that lead to mold growth.

- To set the desired humidity level of the room, remove the grill and locate the humidistat dial located on the wire compartment cover.
- Set the dial to the relative humidity you want the fan to maintain usually between 50% & 80%. Moist climates will require higher settings than dry climates. When the humidity level of the room is below this setting the fan will remain off (or low speed on dual speed models). When the humidity level rises above this setting the fan will turn on (or to high speed on dual speed models) and run until the humidity level falls below this setting.
- Reinstall the grill and restore power.

## SECTION 8 Setting the Speed

Your fan may include a variable speed function that allows it to be set to 30, 50, 80 or 100 CFM. To adjust the airflow:

- Remove the grill and find the adjustment post on the top of the wire compartment (**Figure 18**).
- Turn the post to the desired CFM setting then reinstall the grill.

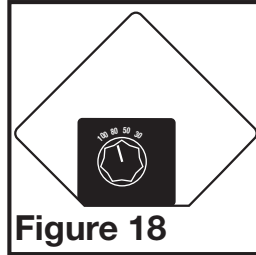


Figure 18

## SECTION 9 Use and Care



**CAUTION:** MAKE SURE POWER IS SWITCHED OFF AT SERVICE PANEL BEFORE SERVICING THE UNIT.



**CAUTION:** WHEN CLEANING THE INTERNAL PARTS BE EXTREMELY CAREFUL WORKING AROUND THE SPRING LOADED CEILING DAMPER. WEAR GLOVES AND USE A VACUUM WITH AN EXTENSION HOSE TO CLEAN INSIDE THE FAN.

- Cleaning the Grill:** Remove grill and use a mild detergent, such as dishwashing liquid, and dry with a soft cloth. NEVER USE ANY ABRASIVE PADS OR SCOURING POWDERS. Completely dry grill before reinstalling. Refer to instructions in **Section 6 Finishing the Installation**, to reinstall grill.
- Cleaning the Fan Assembly:** Wipe all parts with a dry cloth or gently vacuum the fan. NEVER IMMERSE ELECTRICAL PARTS IN WATER.

## Troubleshooting Guide

Trouble	Probable Cause	Suggested Remedy
1. Fan does not operate when the switch is on.	1a. A fuse may be blown or a circuit tripped. 1b. Connector plug from motor is not plugged in. 1c. Wiring is not connected properly. 1d. Motor has stopped operating.	1a. Replace fuse or reset circuit breaker. 1b. Turn off power to unit. Remove Grill and plug motor into receptacle in housing. Restore power to unit. 1c. Turn off power to unit. Check that all wires are connected. 1d. Replace motor.
2. Fan is operating, but air moves slower than normal.	2. Obstruction in the exhaust ducting.	2. Check for any obstructions in the ducting. The most common are bird nests in the roof cap or wall cap where the fan exhausts to the outside.
3. Fan is operating louder than normal	3a. Motor is loose. 3b. Fan blade is hitting housing of unit.	3a. Turn off power to unit. Remove grill and check that all screws are fully tightened. Restore power to unit. 3b. Call your dealer for service.

## LIMITED WARRANTY

**WHAT THIS WARRANTY COVERS:** This product is warranted against defects in workmanship and/or materials.

**HOW LONG THIS WARRANTY LASTS:** This warranty extends only to the original purchaser of the product and lasts for five (5) years from the date of original purchase or until the original purchaser of the product sells or transfers the product, whichever first occurs.

**WHAT AIR KING WILL DO:** During the warranty period, Air King will, at its sole option, replace any part or parts that prove to be defective or replace the whole product with the same or comparable model.

**WHAT THIS WARRANTY DOES NOT COVER:** This warranty does not apply if the product was damaged or failed because of accident, improper handling or operation, shipping damage, abuse, misuse, unauthorized repairs made or attempted. This warranty does not cover shipping costs for the return of products to Air King for replacement. Air King will pay return shipping charges following warranty replacement.

**ANY AND ALL WARRANTIES, EXPRESS OR IMPLIED (INCLUDING, WITHOUT LIMITATION, ANY IMPLIED WARRANTY OF MERCHANTABILITY), LAST FIVE YEARS FROM THE DATE OF ORIGINAL PURCHASE OR UNTIL THE ORIGINAL PURCHASER OF THE PRODUCT SELLS OR TRANSFERS THE PRODUCT, WHICHEVER FIRST OCCURS AND IN NO EVENT SHALL AIR KING'S LIABILITY UNDER ANY EXPRESS OR IMPLIED WARRANTY INCLUDE (I) INCIDENTAL OR CONSEQUENTIAL DAMAGES FROM ANY CAUSE WHATSOEVER, OR (II) REPLACEMENT OR REPAIR OF ANY HOUSE FUSES, CIRCUIT BREAKERS OR RECEPTACLES. NOTWITHSTANDING ANYTHING TO THE CONTRARY, IN NO EVENT SHALL AIR KING'S LIABILITY UNDER ANY EXPRESS OR IMPLIED WARRANTY EXCEED THE PURCHASE PRICE OF THE PRODUCT AND ANY SUCH LIABILITY SHALL TERMINATE UPON THE EXPIRATION OF THE WARRANTY PERIOD.**

Some states and provinces do not allow limitations on how long an implied warranty lasts, or the exclusion or limitation of incidental or consequential damages, so these exclusions or limitations may not apply to you. This warranty gives you specific legal rights. You may also have other rights which vary from state to state and province to province. Proof of purchase is required before a warranty claim will be accepted.

## CUSTOMER SERVICE:

Email: [producthelp@lasko.com](mailto:producthelp@lasko.com) Web: [www.airkinglimited.com](http://www.airkinglimited.com)

Our Customer Service team is available to assist you. Chat with us at [www.airkinglimited.com](http://www.airkinglimited.com) Monday-Friday 8am - 9pm EST (Valid in U.S. and Canada only). Please have your model number available, as well as the type and style.

Customer Service Dept., 820 Lincoln Ave., West Chester, PA 19380 (Please do not send product to this location)

**PARTS FOR DISCONTINUED, OBSOLETE AND CERTAIN OTHER PRODUCTS MAY NOT BE AVAILABLE. DUE TO SAFETY REASONS, MANY ELECTRONIC COMPONENTS AND MOST HEATER COMPONENTS ARE NOT AVAILABLE TO CONSUMERS FOR INSTALLATION OR REPLACEMENT.**

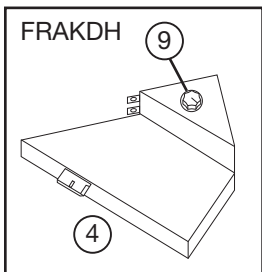
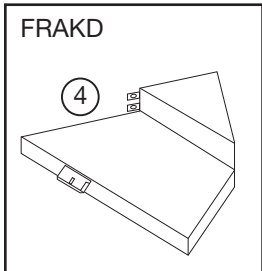
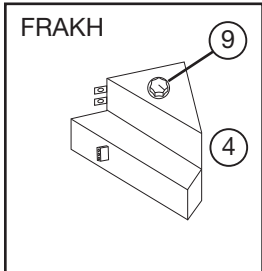
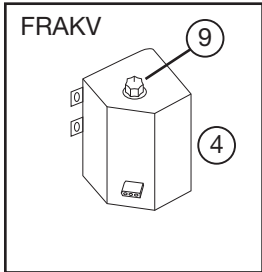
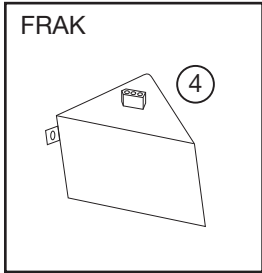
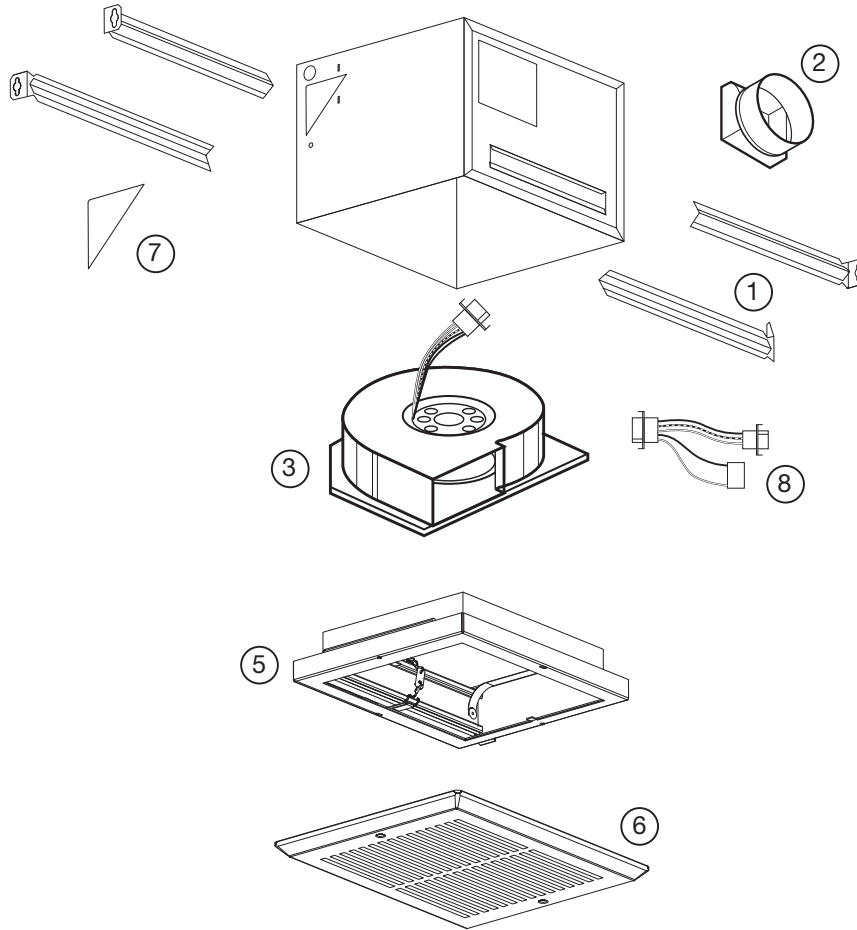
Installer: \_\_\_\_\_

Installation Date: \_\_\_\_\_

Place of Purchase: \_\_\_\_\_

Model Number: \_\_\_\_\_

# REPLACEMENT PARTS DIAGRAM



#	Qty.	Description	Replacement Part #
1	4	Mounting Rails	5S1299002
2	1	Collar Assembly	5S5202011
3	1	Blower Assembly	
		FRAK50S, FRAK50SH, FRAK80, FRAK80H, FRAK110	5S1214100
		FRAK90, FRAK90H, FRAK100, FRAK100D, FRAK100DH, FRAK100H	5S1214101
		FRAKV	5S1214102
4	1	Wire Compartment	
		FRAK50S, FRAK80, FRAK90, FRAK100	5S1202052
		FRAK100D	5S1202627
		FRAK100DH	5S1202632
		FRAK50SH, FRAK80H, FRAK90H, FRAK100H	5S1202104
FRAKV	5S1202641		

#	Qty.	Description	Replacement Part #
5	1	Grill	5S1214014
6	1	Fire Damper	5S1214112
7	1	External Wire Cover	5S1202007
8	1	Motor Cap Harness	
		FRAK50S, FRAK50SH	5S9202510
		FRAK80, FRAK80H	5S9202524
		FRAK90, FRAK90H	5S9202523
		FRAK100, FRAK100H, FRAKV	5S9202522
		FRAK110	5S2202012
9	1	Knob	5S1299802

# INSTRUCTIONS IMPORTANTES – MODE D'EMPLOI

FRAK, FRAKH, FRAKD, FRAKV

**Air King**  
Ventilation Products®

Ventilateur d'Évacuation



## LIRE ET CONSERVER CES INSTRUCTIONS

LIRE SOIGNEUSEMENT AVANT DE TENTER D'ASSEMBLER, INSTALLER, OPÉRER OU DE RÉPARER LE PRODUIT DÉCRIT. PROTÉGEZ VOUS-MÊME ET LES AUTRES EN OBSERVANT TOUTE L'INFORMATION DE SÉCURITÉ. FAILLIR À SE CONFORMER AUX INSTRUCTIONS PEUT RÉSULTER EN BLESSURE PERSONNELLE GRAVE ET/OU EN DOMMAGE À LA PROPRIÉTÉ.



CONSERVER CES INSTRUCTIONS POUR RÉFÉRENCES FUTURES.

## INSTRUCTIONS GÉNÉRALES DE SÉCURITÉ



Lors de l'utilisation d'appareils électriques, des précautions de base doivent toujours être suivies pour réduire les risques d'incendie, de choc électrique et de blessures corporelles, incluant ce qui suit:



**AVERTISSEMENT : POUR RÉDUIRE LES RISQUES D'INCENDIE, DE CHOC ÉLECTRIQUE OU DE BLESSURES PERSONNELLES OBSERVER CE QUI SUIT:**

- Utiliser cette unité seulement de la manière pour laquelle le fabricant l'a conçu. Si vous aviez des questions, veuillez contacter le fabricant.
- Avant d'effectuer un service ou de nettoyer l'unité, couper l'alimentation électrique dans le panneau de distribution et verrouiller le dispositif de déconnexion afin d'éviter que l'alimentation ne revienne accidentellement. Lorsque le dispositif ne peut être verrouillé, fixer solidement un avis d'avertissement, tel qu'une étiquette, au panneau de distribution.



**AVERTISSEMENT : POUR RÉDUIRE LES RISQUES D'INCENDIE, DE CHOC ÉLECTRIQUE OU DE BLESSURES PERSONNELLES OBSERVER CE QUI SUIT:**

- Le travail d'installation et le câblage électrique doivent être effectués par une(des) personne(s) qualifiée(s) en conformité avec tous les codes et normes applicables, incluant la construction relative aux incendies.
- De l'air en quantité suffisante est requis pour la bonne combustion et l'évacuation de gaz par le conduit (cheminée) provenant d'équipement de brûlage au combustible pour prévenir un refoulement. Suivre les directives du fabricant de l'équipement de chauffage et les normes de sécurité telles que celles publiées par la National Fire Protection Association (NFPA) et de la American Society for Heating, Refrigeration, and Air Conditioning Engineers (ASHRAE), et de celles des autorités locales du code.
- Lors de coupe ou de perçage des murs et plafonds, ne pas endommager le filage électrique et autres utilités cachées.



**ATTENTION : POUR USAGE DE VENTILATION GÉNÉRALE EXCLUSIVEMENT. NE PAS UTILISER POUR ÉVACUER DU MATÉRIEL ET DES VAPEURS DANGEREUSES OU EXPLOSIVES.**

- Les ventilateurs avec conduits doivent toujours être évacués vers l'extérieur

- Cette unité doit être mise à la terre
- Pour éviter des dommages aux roulements des moteurs et/ou des hélices bruyantes ou déséquilibrées, empêcher la poussière de cloison sèche, poussière de construction, etc., d'atteindre l'unité de puissance.
- Lire toutes les instructions avant d'installer ou d'utiliser la ventilateur.



**AVERTISSEMENT: POUR RÉDUIRE LES RISQUES D'INCENDIE, DE CHOC ÉLECTRIQUE OU DE BLESSURES PERSONNELLES, N'UTILISEZ PAS DE PIÈCES DE RECHANGE QUI N'ONT PAS ÉTÉ RECOMMANDÉES PAR LE FABRICANT (PAR EXEMPLE, DES PIÈCES FABRIQUÉES À LA MAISON À L'AIDE D'UNE IMPRIMANTE 3D).**



**AVERTISSEMENT : POUR RÉDUIRE LES RISQUES D'INCENDIE OU DE CHOC ÉLECTRIQUE, NE PAS UTILISER CE VENTILATEUR AVEC UN RÉGULATEUR DE VITESSE ÉLECTRONIQUE.**

- Si cet appareil doit être installé au-dessus d'une baignoire ou d'une douche, il doit être marqué comme approprié pour l'application et connecté à un DDFT (disjoncteur différentiel de fuite à la terre) - circuit de dérivation protégé.



**AVERTISSEMENT : NE PAS UTILISER DANS LES CUISINES**



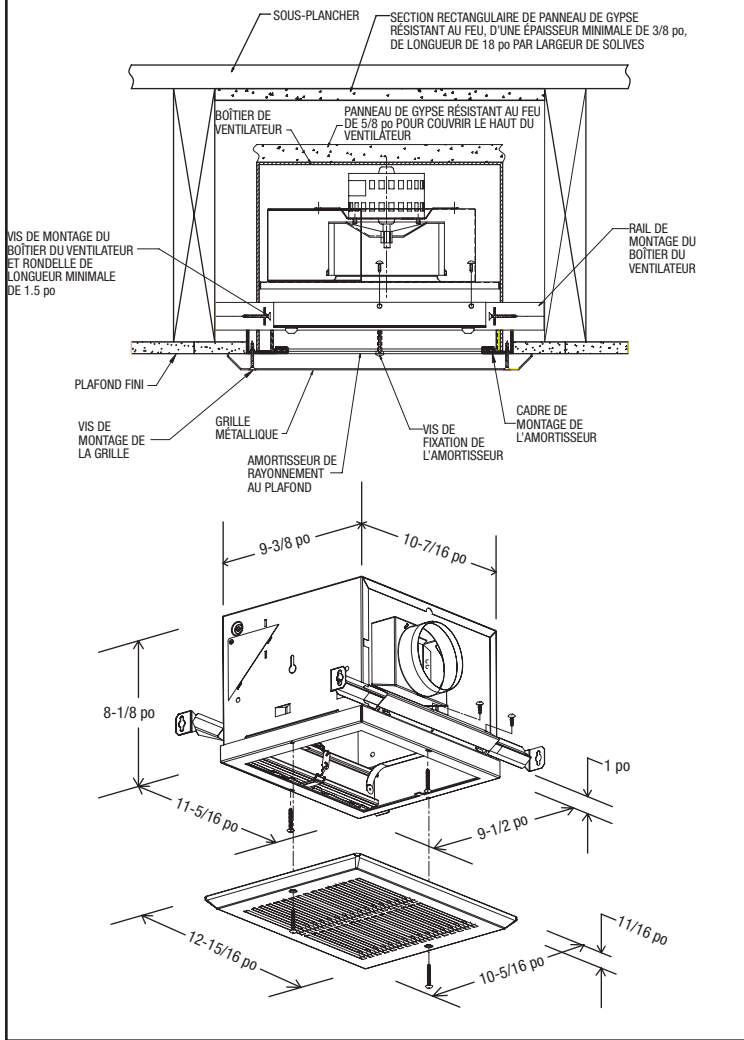
**AVERTISSEMENT : LA CANALISATION DE CE VENTILATEUR À L'EXTÉRIEUR DU BÂTIMENT A UN EFFET IMPORTANT SUR LE FLUX D'AIR, LE BRUIT ET LA CONSOMMATION D'ÉNERGIE DU VENTILATEUR. UTILISEZ LA ROUTE DE CANALISATION LA PLUS COURTE ET LA PLUS DROITE POSSIBLE POUR UNE MEILLEURE PERFORMANCE, ET ÉVITEZ D'INSTALLER LE VENTILATEUR AVEC DES CONDUITS PLUS PETITS QUE RECOMMANDÉ. L'ISOLATION AUTOUR DES CONDUITS PEUT RÉDUIRE LA PERTE D'ÉNERGIE ET EMPÊCHER LE DÉVELOPPEMENT DE MOISSURES. IL SE PEUT QUE LES VENTILATEURS INSTALLÉS AVEC DES CONDUITS EXISTANTS N'ATTEIGNENT PAS LEUR DÉBIT D'AIR NOMINAL.**



VOIR LES DÉTAILS SUR LA CLASSIFICATION UL  
MARQUAGE SUR PRODUIT FERMÉ

## CONSERVER CES INSTRUCTIONS

**EXIGENCES RELATIVES À L'INSTALLATION DANS DES ASSEMBLAGES DE PLAFOND CERTIFIÉS UL / ULC VOIR LE RÉPERTOIRE DES ASSEMBLAGES UL ET ULC RÉSISTANTS AU FEU**



**INSTRUCTIONS D'INSTALLATION**

**ATTENTION :** VOUS ASSURER QUE L'ALIMENTATION EST COUPÉE AU PANNEAU DE SERVICE AVANT DE COMMENCER L'INSTALLATION.

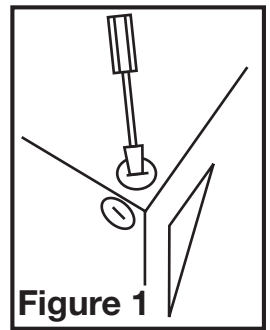
**AVERTISSEMENT :** CE VENTILATEUR DOIT ÊTRE INSTALLÉ CONFORMÉMENT À L'ASSEMBLAGE DE PLAFOND ÉVALUÉ PAR UL ET ULC. CECI EXIGE L'INSTALLATION D'UN PANNEAU DE GYPSE D'UNE ÉPAISSEUR MINIMALE DE 3/8 po SOUS LE SOUS-PLANCHER ET UN PANNEAU DE GYPSE D'AU MOINS 5/8 po POUR COUVRIR LE DESSUS DU BOÎTIER DU VENTILATEUR.

**SECTION 1**

**Préparation du Ventilateur d'évacuation**

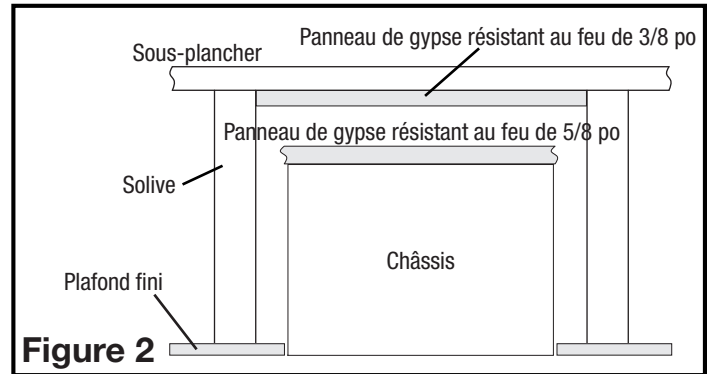
- Sortir le ventilateur de sa boîte et confirmer que toutes les pièces sont présentes. En plus du ventilateur d'évacuation vous devriez avoir:
  - 1 - Grille
  - 1 - Ensemble de clapet (attaché)
  - 1 - Amortisseur résistant au feu
  - 4 - Vis #8, 1 po
  - 4 - Traverses de Montage
  - 1 - Feuillet d'instructions / sécurité
- Choisir un emplacement pour votre ventilateur. Pour garantir la meilleure qualité d'air et performance acoustique, il est recommandé que la longueur de la canalisation et le nombre de coudes soient réduits au minimum, que le rayon de chaque coude soit aussi grand que possible pour l'installation, et que des conduits rigides isolés soient utilisés. Ce ventilateur nécessitera au moins 20,3cm (8po) de dégagement dans le plafond ou le mur, et s'installe au travers de cloison sèche d'une épaisseur de jusqu'à 1,9cm(3/4po). Le ventilateur s'installe entre 40,6cm ou 61cm (16po ou 24po) au centre des solives à l'aide des quatre (4) traverses de montage incluses.

- Sélectionner l'alvéole défonçable la mieux appropriée et l'enlever à l'aide d'un tournevis à lame plate (**Figure 1**).
- Aucun matériel amortissant de vibrations supplémentaire n'est nécessaire pour ce ventilateur.

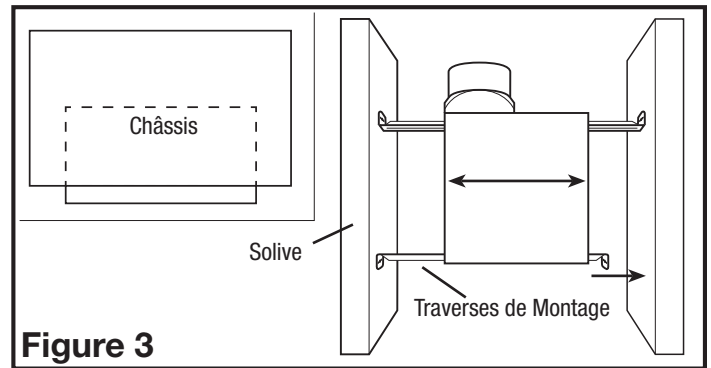


**SECTION 2**  
**Nouvelle Construction**

- Selon la certification UL et CUL de construction résistante au feu, installez un panneau de gypse d'une épaisseur minimale de 3/8 po et de 18 po de longueur de façon à ce qu'il soit centré au-dessus du ventilateur. Le panneau de gypse doit couvrir la distance entre les solives, généralement de 14,5 po pour les solives des centres de 16 po (**Figure 2**).

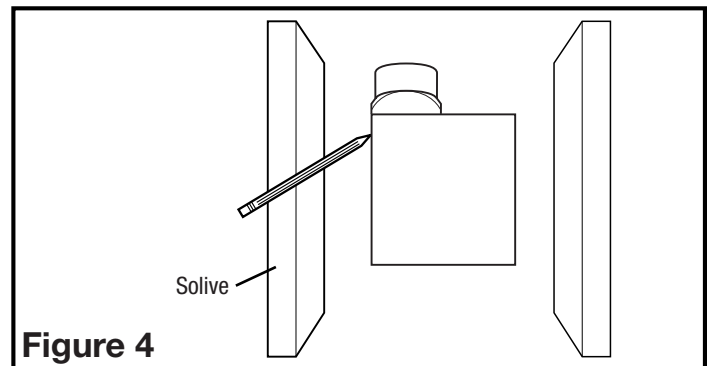


- Installer les traverses sur le châssis et positionner le châssis près de la solive. Aligner le châssis pour qu'il soit à effleurement avec le plafond fini. Fixer les extrémités des traverses avec des clous ou des vis (non-comprises) aux solives et glisser le châssis à sa position finale (**Figure 3**).



**SECTION 3**  
**Construction Existante**

- Selon la certification UL et CUL de construction résistante au feu, installez un panneau de gypse d'une épaisseur minimale de 3/8 po et de 18 po de longueur de façon à ce qu'il soit centré au-dessus du ventilateur. Le panneau de gypse doit couvrir la distance entre les solives, généralement de 14,5 po pour les solives des centres de 16 po (**Figure 2**).
- Placer le châssis en position entre les solives et tracer un contour sur le matériau du plafond (**Figure 4**). Mettre le châssis de côté et découper l'ouverture, en prenant soin de ne pas couper ou endommager des câbles électriques dissimulés ou autres utilités. Installer les traverses sur le châssis et positionner le châssis dans le trou percé précédemment afin qu'il soit à effleurement avec le plafond fini. Fixer les extrémités des traverses aux solives (**Figure 3**).





## SECTION 4

### Conduits

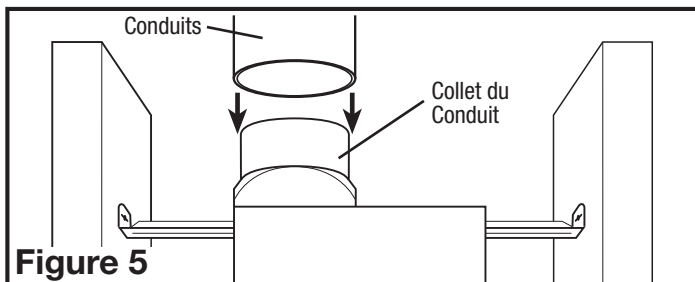
**NOTE: UN CONDUIT PLUS RIGIDE DE 4 PO OU PLUS EST RECOMMANDE POUR UNE MEILLEURE PERFORMANCE.**



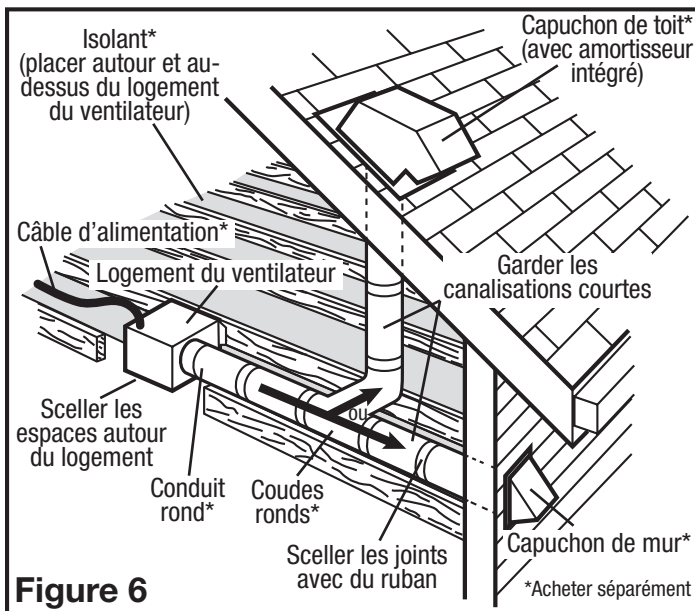
**ATTENTION : TOUS LES CONDUITS DOIVENT ÊTRE CONFORMES AUX CODES DU BÂTIMENT LOCAUX ET NATIONAUX.**

**REMARQUE :** La canalisation de ce ventilateur à l'extérieur du bâtiment a un effet important sur le flux d'air, le bruit et la consommation d'énergie du ventilateur. Utilisez la route de canalisation la plus courte et la plus droite possible pour une meilleure performance, et évitez d'installer le ventilateur avec des conduits plus petits que recommandé. L'isolation autour des conduits peut réduire la perte d'énergie et empêcher le développement de moisissures. Il se peut que les ventilateurs installés avec des conduits existants n'atteignent pas leur débit d'air nominal.

1. Raccorder le conduit au collet de conduit du ventilateur (**Figure 5**). Fixer en place à l'aide de ruban ou de serre-joint. Toujours évacuer le ventilateur vers l'extérieur au travers de chapeau mural ou de toit. Il est recommandé que les raccords d'extrémité basse de restriction sont utilisées.



2. Assurez-vous que les joints des conduits et les pénétrations extérieures sont scellés avec du mastic ou tout autre matériau similaire pour créer un passage d'air étanche afin de minimiser la perte ou le gain de chaleur et réduire le risque de condensation. Placez / enveloppez l'isolant autour du conduit et / ou ventilateur afin de minimiser la possibilité d'accumulation de condensation à l'intérieur du conduit, ainsi que la perte ou le gain de chaleur (**Figure 6**).



## SECTION 5

### Câblage



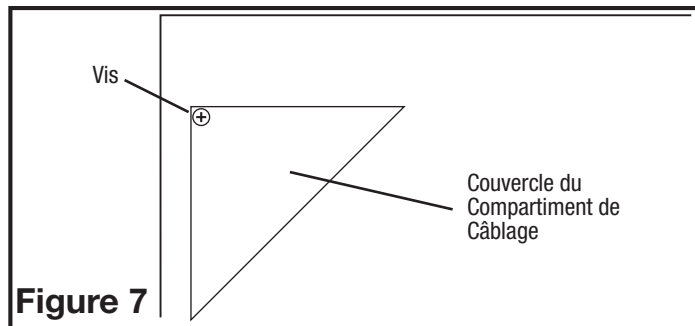
**ATTENTION : VOUS ASSURER QUE L'ALIMENTATION EST COUPÉE AU PANNEAU DE SERVICE AVANT DE COMMENCER L'INSTALLATION.**



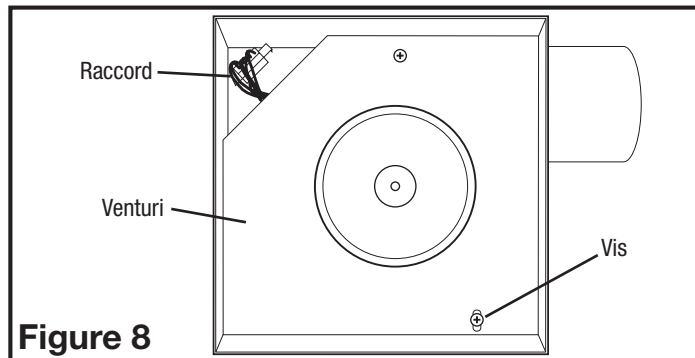
**ATTENTION : TOUTES LES CONNEXIONS DOIVENT ÊTRE FAITES EN CONFORMITÉ AVEC LES CODES ÉLECTRIQUES LOCAUX OU NATIONAUX. SI VOUS N'ÊTES PAS FAMILIER AVEC LES MÉTHODES D'INSTALLATION DE CÂBLAGE ÉLECTRIQUE, RECOURREZ AUX SERVICES D'UN ÉLECTRICIEN QUALIFIÉ.**

**REMARQUE :** cette unité possède un panneau d'accès latéral pour le câblage qui ne requiert pas l'enlèvement de l'assemblage de la soufflante du ventilateur. Si vous choisissez de raccorder l'unité par l'intérieur, vous aurez besoin d'enlever l'assemblage de la soufflante et le compartiment de câblage intérieur. Les deux méthodes sont également efficaces.

- 1a. **Compartiment de Câblage Extérieur :** enlever la vis du couvercle du compartiment à câblage et mettre ce couvercle dans un endroit fiable (**Figure 7**).



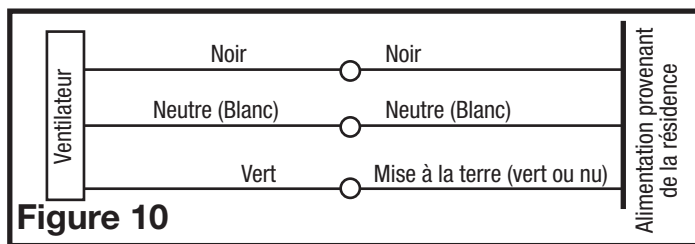
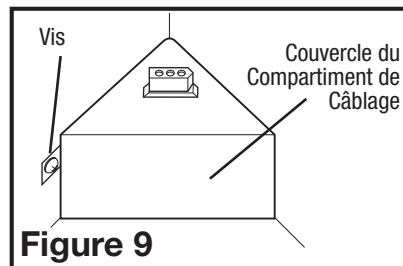
- 1b. **Compartiment de Câblage Intérieur:** Enlever les vis retenant en place l'ensemble venturi du ventilateur et soulever pour sortir l'assemblage hors du châssis (**Figure 8**). Enlever la vis du couvercle du compartiment à câblage et mettre ce couvercle dans un endroit fiable (**Figure 9**).



**REMARQUE :** Si le raccord du moteur de ventilateur est raccordé au réceptacle du châssis, le débrancher afin que l'ensemble venturi du ventilateur soit complètement enlevé.

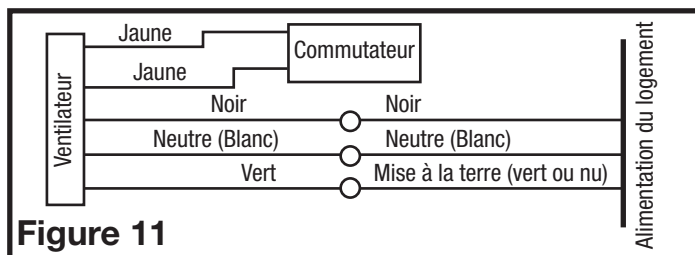
#### Unités à une vitesse

- 2a. Courir le câblage d'un commutateur mural approuvé et de capacité appropriée. Un neutre (blanc), un de mise à la terre (vert ou cuivre nu), et un vivant (fil noir raccordé à l'interrupteur mural). Fixer les câbles électriques au châssis avec un connecteur électrique approuvé. Vous assurer de laisser suffisamment de câble dans la boîte pour faire le raccordement au réceptacle du ventilateur.
- 2b. Par là où vous avez choisi d'accéder à la boîte de jonction du ventilateur, connecter le fil Blanc provenant de la résidence au fil Blanc du réceptacle du ventilateur. Connecter le fil Noir de l'interrupteur mural au fil Noir du réceptacle du ventilateur. Connecter le fil de mise à la terre provenant de la résidence au fil Vert du réceptacle du ventilateur (**Figure 10**). Utiliser des méthodes approuvées pour toutes les connexions.



#### Unités à deux vitesses

- 3a. **Ventilation continue:** Pour les ventilateurs à deux vitesses, raccordés pour une ventilation continue. Connectez le fil blanc du ventilateur au fil blanc (neutre) de la source d'alimentation. Connectez le fil de terre de la maison au fil vert du boîtier du ventilateur. Connectez le fil noir du ventilateur au fil noir (chaud) de la source d'alimentation. Utilisez un interrupteur à bascule standard duplex, correctement mis à terre, pour relier le fil jaune chaud du ventilateur à l'entrée de l'interrupteur. Connectez le deuxième fil jaune du ventilateur au côté de sortie du commutateur. Fermer l'interrupteur changera la vitesse de normale à haute vitesse (**Figure 11**).



- 3b. **Ventilation intermittente :** Pour les ventilateurs à deux vitesses, raccordés pour une ventilation intermittente avec un interrupteur à bascule duplex standard (comme Leviton 5224 -2W non inclus). Connectez le fil blanc du ventilateur au fil blanc (neutre) de la source d'alimentation. Connectez le fil de terre du ventilateur au fil de terre de la source d'alimentation. Mettez à terre les interrupteurs correctement. Connectez le fil noir de la source d'alimentation à un côté de l'interrupteur. Connectez le fil noir du ventilateur à l'autre côté de l'interrupteur. Connectez 1 fil jaune du ventilateur à chaque côté de l'interrupteur. Le commutateur avec les connexions noires met le ventilateur en marche et arrêté. Le commutateur avec les connexions jaunes change la vitesse entre haute et basse (**Figure 12**).

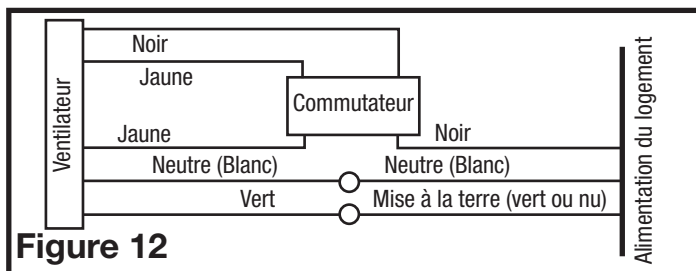


Figure 12

#### Unités à vitesse variable

- 4a. Courir le câblage d'un commutateur mural approuvé et de capacité appropriée. Un neutre (blanc), un de mise à la terre (vert ou cuivre nu), et un vivant (fil noir raccordé à l'interrupteur mural). Fixer les câbles électriques au châssis avec un connecteur électrique approuvé. Vous assurer de laisser suffisamment de câble dans la boîte pour faire le raccordement au réceptacle du ventilateur.
- 4b. Par là où vous avez choisi d'accéder à la boîte de jonction du ventilateur, connecter le fil Blanc provenant de la résidence au fil Blanc du réceptacle du ventilateur. Connecter le fil Noir de l'interrupteur mural au fil Noir du réceptacle du ventilateur. Connecter le fil de mise à la terre provenant de la résidence au fil Vert du réceptacle du ventilateur (**Figure 13**). Utiliser des méthodes approuvées pour toutes les connexions.

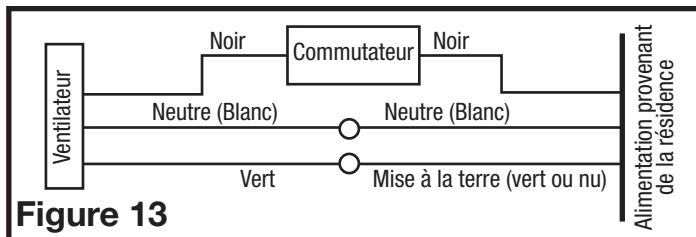


Figure 13

#### Modèles avec détection d'humidité

- 5a. Pour un bon fonctionnement, le ventilateur de détection d'humidité exigera un interrupteur à 3 voies (non inclus). Faites passer le câblage entre le ventilateur et l'emplacement du commutateur. Assurez-vous de laisser suffisamment de câblage dans chaque boîte pour faire les connexions. À la boîte de commutation, connectez le fil noir de la maison à la borne commune du commutateur. Connectez le fil noir du ventilateur à l'une des bornes commutées sur le commutateur. Cette position activera le mode automatique et le ventilateur s'activera après une élévation d'humidité. Connectez le fil jaune du ventilateur à l'autre borne commutée sur le commutateur. Cette position activera le mode manuel et activera le ventilateur.
- 5b. Connectez le fil blanc de la maison au fil blanc du ventilateur. Connectez le fil de terre de la maison au fil vert du boîtier du ventilateur (**Figure 14**). Utiliser des méthodes approuvées pour toutes les connexions.

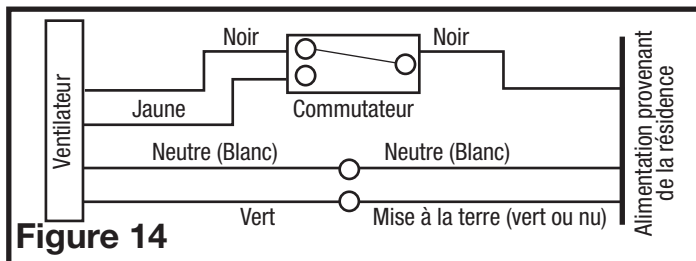


Figure 14

**REMARQUE :** Les fils du réceptacle du ventilateur pourraient nécessiter d'être tirés à l'extérieur du compartiment pour le raccordement. Tirer uniquement les trois fils lâches à l'extérieur du compartiment. Des fils additionnels y sont présents.

6. Regrouper soigneusement les fils à l'intérieur du compartiment pour le raccordement et replacer le couvercle du compartiment en le fixant avec la vis qui fut enlevée précédemment.

## SECTION 6

### Complétion de l'installation

**REMARQUE :** Ce ventilateur est conçu pour le contact d'isolation directe (type IC). Il est aussi recommandé que ce ventilateur soit complètement recouvert par l'isolation afin de réduire la perte de chaleur ou de gagner de l'espace inconditionné.

- Si l'assemblage de la soufflante du ventilateur a été enlevé durant le processus de raccordement, réinstaller la soufflante en inversant les instructions à l'étape 1b de la **Section 5** Câblage.
- Brancher le cordon à raccordement rapide dans le réceptacle. Ce cordon ne s'ajuste que d'une seule façon dans le réceptacle (**Figure 15**).

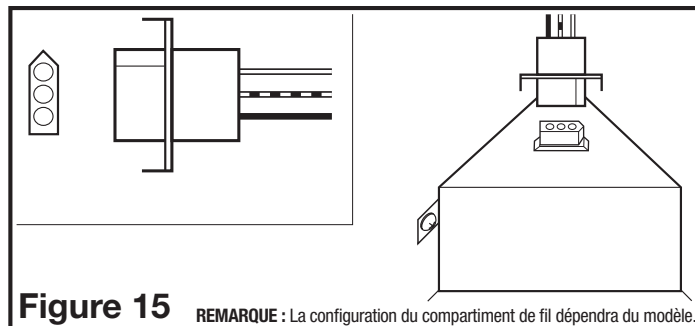


Figure 15

**REMARQUE :** La configuration du compartiment de fil dépendra du modèle.



**ATTENTION :** L'AMORTISSEUR DE PLAFOND FOURNI EST À RESSORT ET PEUT SE LIBÉRER BRUSQUEMENT LORSQU'IL EST MAL MANIPULÉ. UN RESSORT ENDOMMAGÉ OU UN FUSIBLE DÉFECTUEUX PEUT PERMETTRE AU CLAPET DE SE FERMER VIOLEMMENT SUR LA MAIN OU LE BRAS DU MANIPULATEUR, CAUSANT DES GRAVES BLESSURES. IL FAUT FAIRE ATTENTION LORS DE LA MANIPULATION ET DE L'INSTALLATION DES AMORTISSEURS À RESSORT. IL EST RECOMMANDÉ QUE LES MANIPULATEURS ET LES INSTALLATEURS PORTENT DES GANTS.

3. **INSTALLATION DE L'AMORTISSEUR DE PLAFOND:** L'amortisseur de plafond fourni avec l'unité est conçu pour être installé uniquement dans les boîtiers du modèle Air King AKFH2. Installez l'amortisseur de plafond et le cadre d'amortisseur de plafond dans l'ouverture du boîtier de ventilateur. Le cadre d'amortisseur de plafond est conçu pour s'adapter à l'extérieur du boîtier et l'amortisseur de plafond sera placé à l'intérieur du boîtier de ventilateur (**Figure 16**).

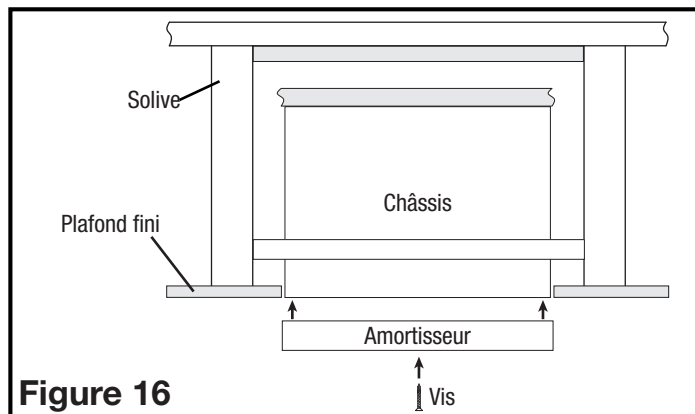


Figure 16

**REMARQUE :** Pour les modèles à vitesse variable (FRAKV), assurez-vous que le rideau coupe-feu est monté sur le côté col / registre / sortie du ventilateur. Assurez-vous de ne pas couvrir le bouton de réglage de la vitesse avant de sceller l'amortisseur.

- Une fois en place, fixez le cadre de l'amortisseur de plafond au boîtier du ventilateur à l'aide de deux des vis n° 8 x 1 po fournies. Enfoncez avec précaution les vis dans les deux fentes oblongues du cadre de l'amortisseur du plafond, dans les lances de fixation de chaque côté du boîtier du ventilateur. Complétez cette étape lentement car vous ne voulez pas endommager les lances sur le boîtier (**Figure 15**).
- Il est recommandé d'utiliser un scellant approprié pour le contact avec les matériaux de construction actuels et pour les besoins de la température de l'installation, afin d'empêcher les fuites d'air à partir des espaces non conditionnés. S'il y a des grands écarts entre le boîtier de l'appareil et le plafond, du matériel supplémentaire (tige de support, matériel de plafond) peut être nécessaire.
- Une fois que l'amortisseur de plafond est installé et fixé, positionnez la grille du ventilateur en métal en alignant les deux trous de la grille du ventilateur avec les deux trous extrudés sur le cadre de l'amortisseur de plafond. Utilisez les deux vis n° 8 x 1 po restantes pour fixer la grille sur le ventilateur (**Figure 17**).

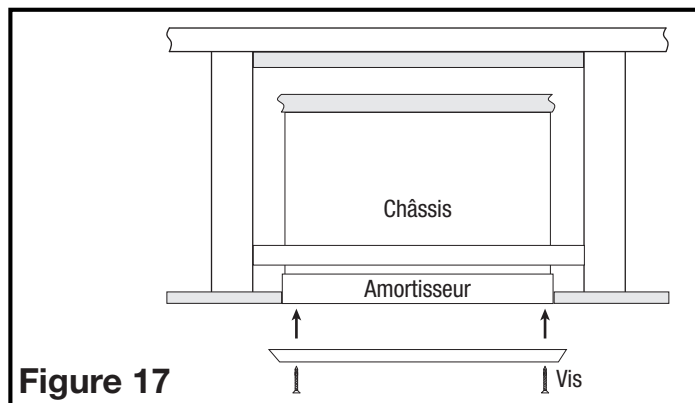


Figure 17

7. Restaurer l'alimentation et tester votre installation.

## SECTION 7

### Réglage de l'humidostat

Ce ventilateur peut être équipé d'un capteur d'humidité qui allume automatiquement le ventilateur (ou hausse la vitesse pour les modèles à deux vitesses), lorsque l'humidité est supérieure au point de consigne (ou baisse la vitesse pour les modèles à deux vitesses) lorsque l'humidité est inférieure ou égale au point de consigne. Si le ventilateur fonctionne trop longtemps ou pas assez, vérifiez d'abord le point de consigne du capteur d'humidité. Dans le cas où le niveau d'humidité ambiante de la pièce s'élève plus haut que le niveau pré-réglé, le ventilateur s'allumera, même si la salle n'est pas occupée. Ceci aide à éviter les conditions qui mènent à la croissance de moisissures.

1. Pour régler le niveau désiré d'humidité de la salle, enlevez la grille et localisez le cadran de l'humidostat situé sur le couvercle du compartiment de fil.
2. Réglez le cadran à l'humidité relative que vous voulez que le ventilateur maintienne, habituellement entre 50% et 80%. Les climats humides exigeront des réglages plus élevés que les climats secs. Lorsque le niveau d'humidité de la salle est inférieur à ce réglage, le ventilateur restera éteint (ou baisse la vitesse pour les modèles à deux vitesses). Lorsque le niveau d'humidité monte à ce réglage, le ventilateur s'allumera (ou hausse la vitesse pour les modèles à deux vitesses) et fonctionnera jusqu'à ce que le niveau d'humidité tombe au-dessous de ce réglage.
3. Réinstaller la grille et rétablir le courant.

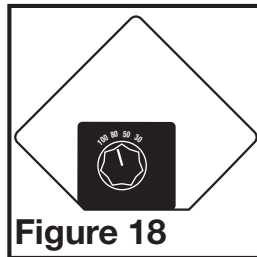


Figure 18

## SECTION 8

### Réglage de la vitesse

Your fan may include a variable speed function that allows it to be set to 30, 50, 80 or 100 CFM. Pour régler le débit d'air:

1. Retirez la grille et trouvez le poste de réglage sur le dessus du compartiment de fil (Figure 18).
2. Tournez le poste à la vitesse de CFM souhaitée puis réinstallez la grille.

## SECTION 9

### Utilisation et entretien



**ATTENTION : VOUS ASSURER QUE L'ALIMENTATION EST COUPÉE AU PANNEAU DE SERVICE AVANT DE COMMENCER L'INSTALLATION.**



**ATTENTION : LORSQUE VOUS NETTOYEZ LES PIÈCES INTERNES, FAITES TRÈS ATTENTION AU TRAVAIL AUTOUR DE L'AMORTISSEUR DE PLAFOND À RESSORT. PORTEZ DES GANTS ET UTILISEZ UN ASPIRATEUR AVEC UN TUYAU D'EXTENSION POUR NETTOYER L'INTÉRIEUR DU VENTILATEUR.**

1. **Nettoyage de la grille :** Retirer la grille et utiliser un détergent doux, tel que du liquide pour la vaisselle, puis sécher à l'aide d'un chiffon doux. NE JAMAIS UTILISER D'ABRASIF OU DE POUDDRE À RÉCUREUR. Sécher complètement la grille avant de la réinstaller. Pour réinstaller la grille, vous référer à la **Section 6 Complétion de l'installation.**
2. **Nettoyage de l'assemblage du ventilateur :** Nettoyer toutes les parties à l'aide d'un chiffon sec ou passer délicatement l'aspirateur sur le ventilateur. NE JAMAIS IMMERGER LES PARTIES ÉLECTRIQUES DANS L'EAU.

## Guide de dépannage

Trouble	Cause Possible	Solution Suggérée
1. Le ventilateur ne fonctionne pas lorsque l'interrupteur est à la position en marche.	1a. Un fusible peut être grillé ou un disjoncteur peut être déclenché. 1b. La fiche de raccord du moteur n'est pas connectée. 1c. Le câblage n'est pas raccordé correctement. 1d. La moteur est terminée	1a. Remplacer le fusible ou réinitialiser le disjoncteur. 1b. Couper l'alimentation à l'unité. Retirer la grille et brancher le moteur dans le réceptacle dans le cabinet. Remettre l'alimentation sur l'unité. 1c. Couper l'alimentation de l'unité. Vérifier que tous les fils sont raccordés. 1d. Remplacez la moteur
2. Le ventilateur fonctionne, mais l'air circule plus lentement que la normale.	2. Obstruction dans les conduits d'évacuation.	2. Vérifier pour toute obstruction dans les conduits. Les plus courantes sont des nids d'oiseau dans le chapeau de toit ou mural là où le ventilateur s'évacue vers l'extérieur.
3. Le ventilateur fonctionne de manière plus bruyante que la normale.	3a. Le moteur est lâche. 3b. L'hélice du ventilateur frotte contre le cabinet de l'unité.	3a. Couper l'alimentation à l'unité. Retirer la grille et vérifier que toutes les vis sont complètement serrées. Remettre l'alimentation sur l'unité. 3b. Appeler votre marchand pour un service.

## GARANTIE LIMITÉE

**QUE COUVRE CETTE GARANTIE :** Ce produit est garanti contre tout vice de fabrication ou de matière.

**COMBIEN DE TEMPS CETTE GARANTIE DURE :** Cette garantie se rapporte seulement à l'acheteur original du produit et dure pendant cinq (5) années de la date de l'achat original ou jusqu'à ce que l'acheteur original du produit vend ou transfère le produit, celui qui se produit en premier.

**QUE FERA AIR KING :** Au cours de la période de garantie, Air King à son choix remplacera n'importe quelle partie ou pièces qui s'avèrent défectueuses ou remplacera le produit entier par le même modèle ou un modèle comparable.

**CE QUE CETTE GARANTIE NE COUVRE PAS :** Cette garantie ne s'applique pas si le produit était endommagé ou arrête de fonctionner en raison d'un accident, d'une mauvaise manipulation ou opération, de dommages d'expédition, d'abus, de mauvaise utilisation, de réparation faite ou tentées non autorisées. Cette garantie ne couvre pas les coûts d'expédition pour le retour des produits à Air King pour le remplacement. Air King payera les frais d'expédition de retour après le remplacement de garantie.

**TOUTES LES GARANTIES, EXPRESSES OU TACITES (COMPRENANT, SANS LIMITATION, TOUTE GARANTIE TACITE DE VALEUR MARCHANDE), DURENT CINQ ANNÉES DE LA DATE DE L'ACHAT ORIGINAL OU JUSQU'À CE QUE L'ACHETEUR ORIGINAL DU PRODUIT VEND OU TRANSFÈRE LE PRODUIT, CELUI QUI SE PRODUIT EN PREMIER ET DANS AUCUN CAS AIR KING N'ASSUME AUCUNE RESPONSABILITÉ EXPRESSE OU TACITE POUR (I) DES DOMMAGES ACCIDENTELS OU INDIRECTS DE N'IMPORTE QUELLE CAUSE, OU (II) LE REMPLACEMENT OU LA RÉPARATION DE TOUS FUSIBLES, DISJONCTEURS OU RÉCEPTACLES DE MAISON. MALGRÉ N'IMPORTE QUOI À L'EFFET CONTRAIRE, DANS AUCUN CAS LA RESPONSABILITÉ D'AIR KING, SOUS UNE GARANTIE EXPRESSE OU TACITE, NE DÉPASSERA LE PRIX D'ACHAT DU PRODUIT ET UNE TELLE RESPONSABILITÉ SE TERMINERA AVEC L'EXPIRATION DE LA PÉRIODE DE GARANTIE.**

Certains états et provinces ne permettent pas les limitations de la période de garantie, ou l'exclusion ou la restriction des dommages accidentels ou indirects, et, par conséquent, les présentes restrictions ne peuvent pas s'appliquer. La présente garantie vous donne des droits légaux spécifiques et peut-être certains autres droits qui peuvent varier selon la province. La preuve d'achat est exigée avant qu'une réclamation de garantie ne soit acceptée.

## SERVICE À LA CLIENTÈLE :

Email: [producthelp@lasko.com](mailto:producthelp@lasko.com)

Web: [www.airkinglimited.com](http://www.airkinglimited.com)

Notre équipe du service clientèle est à votre disposition pour vous aider. Discutez avec nous sur [www.airkinglimited.com](http://www.airkinglimited.com) du lundi au vendredi de 8 h à 21 h HNE (valable uniquement aux États-Unis et au Canada). Veuillez avoir à portée de main le numéro de modèle, ainsi que le type et le style.

Service à la clientèle., 820 Lincoln Ave., West Chester, PA 19380 (Veuillez ne pas envoyer de produit à cet endroit)

**IL SE PEUT QUE LES PIÈCES POUR LES PRODUITS DISCONTINUÉS, OBSOLÈTES ET AUTRES PRODUITS NE SOIENT PAS DISPONIBLES. POUR DES RAISONS DE SÛRETÉ, BEAUCOUP DE COMPOSANTS ÉLECTRONIQUES ET LA PLUPART DES COMPOSANTS DES CHAUFFAGES NE SONT PAS À LA DISPOSITION DES CONSOMMATEURS POUR L'INSTALLATION OU LE REMPLACEMENT.**

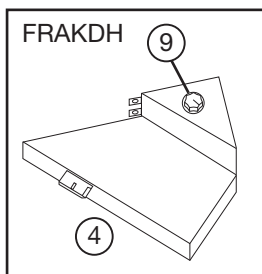
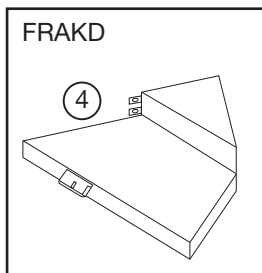
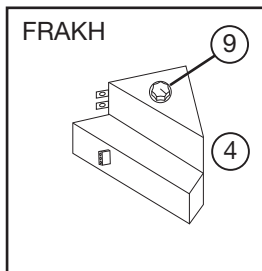
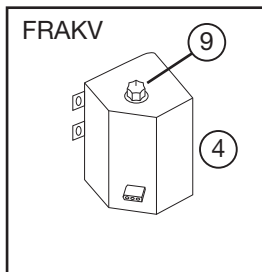
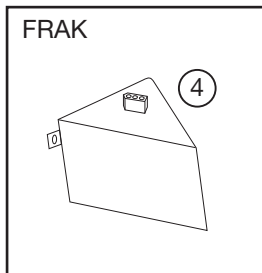
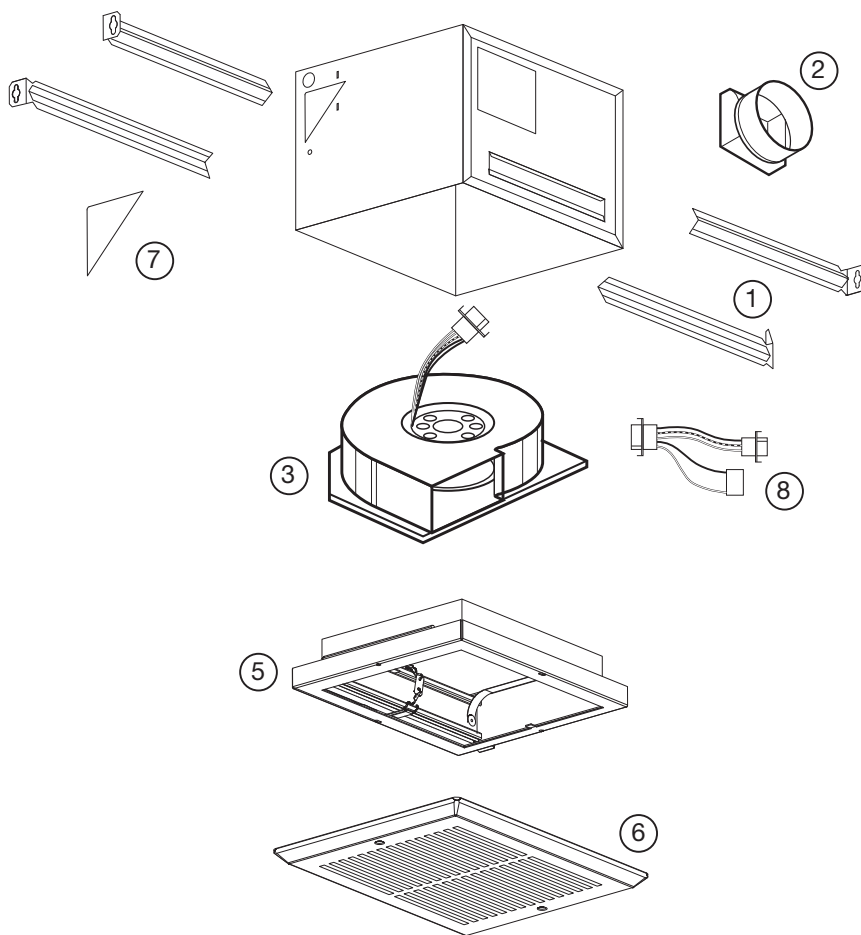
Installateur : \_\_\_\_\_

Date d'installation : \_\_\_\_\_

Endroit de l'achat : \_\_\_\_\_

Numéro de modèle : \_\_\_\_\_

# DIAGRAMME DES PIÈCES DE REMPLACEMENT



#	Qté.	Description	# de pièce de remplacement
1	4	Traverses de Montage	5S1299002
2	1	Assemblage de collet	5S5202011
3	1	Assemblée de la Soufflante	
		FRAK50S, FRAK50SH, FRAK80, FRAK80H, FRAK110	5S1214100
		FRAK90, FRAK90H, FRAK100, FRAK100D, FRAK100DH, FRAK100H	5S1214101
		FRAKV	5S1214102
4	1	Compartiment de Câblage	
		FRAK50S, FRAK80, FRAK90, FRAK100	5S1202052
		FRAK100D	5S1202627
		FRAK100DH	5S1202632
		FRAK50SH, FRAK80H, FRAK90H, FRAK100H	5S1202104
		FRAKV	5S1202641

#	Qté.	Description	# de pièce de remplacement
5	1	Grille	5S1214014
6	1	Amortisseur résistant au feu	5S1214112
7	1	Couvercle de Câble Externe	5S1202007
8	1	Harnais du Capuchon du Moteur	
		FRAK50S, FRAK50SH	5S9202510
		FRAK80, FRAK80H	5S9202524
		FRAK90, FRAK90H	5S9202523
		FRAK100, FRAK100H, FRAKV	5S9202522
		FRAK110	5S2202012
9	1	Bouton	5S1299802