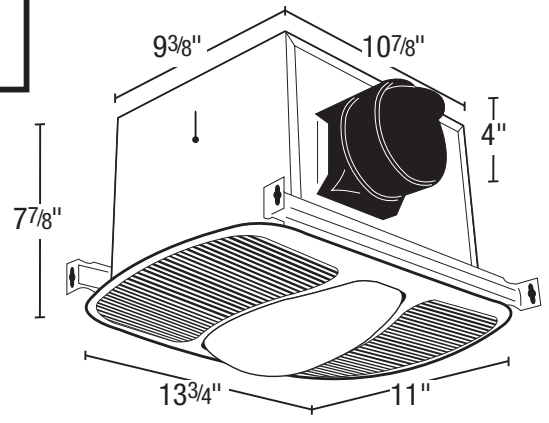




SPECIFICATIONS  
**LEDAK80**  
 EXHAUST FAN WITH LIGHT

**2100 HVI CERTIFIED**  
**80 CFM/1.0 Sones @ 0.10" SP.**  
**70 CFM @ 0.25" SP.**



- **Grill**  
 White, polymeric grill secured in place with torsion springs; easily removed if necessary, dimensions - 11" x 13 3/4". Moonstone glass lens.
- **Blower Wheel**  
 Balanced polymeric dual inlet blower wheel 5 1/4" dia. x 2 7/8" depth, 30 paddles, secured in place via press fit.
- **Motor**  
 Enclosed 4 pole electronically balanced permanently split capacitor motor (PSC); life time lubricated, suitable for continuous operation. Motor bearings - ball. Rated 115/120 volts, 60 Hz.
- **Fan Housing**  
 23 gauge galvanized steel housing.  
 Overall dimensions 10 7/8" x 9 3/8" x 7 7/8".
- **Duct Collar**  
 Plastic collar for 4" duct connection, comes complete with built in non-metallic back draft damper for quiet operation.
- **Ventilating Area**  
 For bathrooms up to 80 sq. ft. For other rooms up to 100 sq. ft.
- **Electrical Connections**  
 1/2" electrical knockouts provided. Easy wiring access via either internal or external wiring compartment cover.
- **Lighting**  
 LED Lamp rated 6 Watt 450 Lumens 75 Lumens/Watt  
 4 watt night light (night light bulb not included).

Acceptable for use over tub or shower when installed in a GFCI protected branch circuit.



- **Unit Mounting**  
 The housing will mount in ceilings with at least 8" of clearance and through drywall thickness up to 3/4", with a rough-in opening of 11 1/8" x 9 5/8". Rated for ceilings insulated to R-40. The housing will mount either between 16" or 24" on center joists, using the 4 supplied housing mounting rails. The housing mounting rails can be adapted for overhead mounting (hardware not provided).
- **Single Pack Shipping Info**  
 Box Dim Box Dim: 14 1/8" x 11 5/8" x 12"  
 Shipping Weight: 11.5 lbs.

**EXPANDED PERFORMANCE**

	Static Pressure (inches of w.g.)							Sones @ .1 SP	Fan Speed RPM	Maximum Fan Watts	Amps
	0	0.1	0.125	0.15	0.2	0.25	0.3				
<b>Air Flow - CFM</b>	84	80	79	78	75	70	62	1.0	984	27.6	0.6

<b>PROJECT</b>					<b>ARCHITECT</b>						
<b>LOCATION</b>					<b>ENGINEER</b>						
<b>CONTRACTOR</b>					<b>SUBMITTED BY</b>					<b>DATE</b>	
FAN NUMBER	MODEL NUMBER	CFM	IN W.G.	RPM	WATTS	AMPS	SONES	QTY	OPTIONAL EQUIPMENT & REMARKS		



**U.S.:** 820 Lincoln Avenue  
 West Chester, Pennsylvania 19380-4466  
 Tel: (610) 692-7400 • 877-304-3785  
 Fax: (610) 696-8048

**Canada:**  
 Brampton, Ontario  
 Tel: 800-250-8767  
 Fax: (905) 456-1015