



**SPECIFICATIONS**  
**AK110LS6H**  
**EXHAUST FAN**

**2100 HVI CERTIFIED**    **110 CFM/1.1 Sones @ 0.10" SP., 27.6 Watts**  
**96 CFM @ 0.25 SP.**

**Grill**

White, polymeric grill secured in place with torsion springs; easily removed if necessary, dimensions - 11" x 13<sup>3</sup>/<sub>4</sub>".

**Blower Wheel**

Balanced polymeric dual inlet blower wheel 5<sup>1</sup>/<sub>32</sub>" dia. x 4" depth, 30 paddles, secured in place using 8M hex nut.

**Motor**

Enclosed 4 pole electronically balanced permanently split capacitor motor (PSC); life time lubrication, suitable for continuous operation. Motor bearings - ball. Rated 115/120 volts, 60 Hz.

**Fan Housing**

23 gauge galvanized steel housing. Overall dimensions 10<sup>7</sup>/<sub>8</sub>" x 9<sup>3</sup>/<sub>8</sub>" x 7<sup>7</sup>/<sub>8</sub>".

**Duct Collar**

Plastic collar for 6" duct connection, comes complete with built in non-metallic back draft damper for quiet operation.

**Humidity Sensor**

Integrated humidity sensor automatically turns fan on until the desired humidity level is reached. Humidity set points up to 80%.

**Ventilating Area**

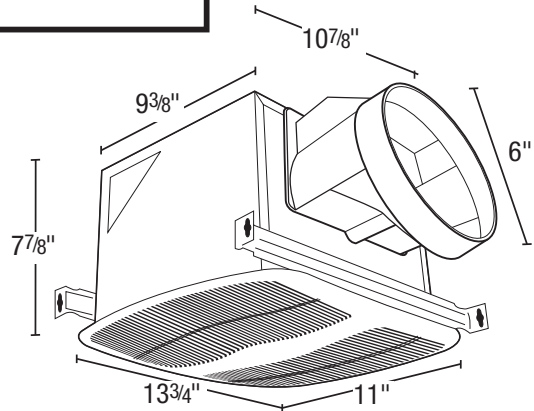
For bathrooms up to 110 sq. ft. For other rooms up to 135 sq. ft.

**Electrical Connections**

1/2" electrical knockouts provided. Easy wiring access via either internal or external wiring compartment cover.

**Single Pack Shipping Info**

Box Dim: 14<sup>1</sup>/<sub>8</sub>" x 11<sup>5</sup>/<sub>8</sub>" x 9<sup>5</sup>/<sub>8</sub>"  
 Shipping Weight: 11.5 lbs.



Acceptable for use over tub or shower when installed in a GFCI protected branch circuit.



**CALGreen**

**Unit Mounting**

The housing will mount in ceilings with at least 8" of clearance and through drywall thickness up to 3/4", with a rough-in opening of 11<sup>1</sup>/<sub>8</sub>" x 9<sup>5</sup>/<sub>8</sub>". The housing will mount either between 16" or 24" on center joists, using the 4 supplied housing mounting rails. The housing mounting rails can be adapted for overhead mounting (hardware not provided).

EXPANDED PERFORMANCE											
	Static Pressure (inches of w.g.)							Sones @ .1 SP	Fan Speed RPM	Power Watts	Amps
	0	0.05	0.1	0.2	0.25	0.3	0.35				
<b>Air Flow - CFM</b>	119	115	110	108	96	88	77	1.1	982	27.6	0.3

<b>PROJECT</b>							<b>ARCHITECT</b>				
<b>LOCATION</b>							<b>ENGINEER</b>				
<b>CONTRACTOR</b>							<b>SUBMITTED BY</b>			<b>DATE</b>	
FAN NUMBER	MODEL NUMBER	CFM	IN W.G.	RPM	WATTS	AMPS	SONES	QTY	OPTIONAL EQUIPMENT & REMARKS		



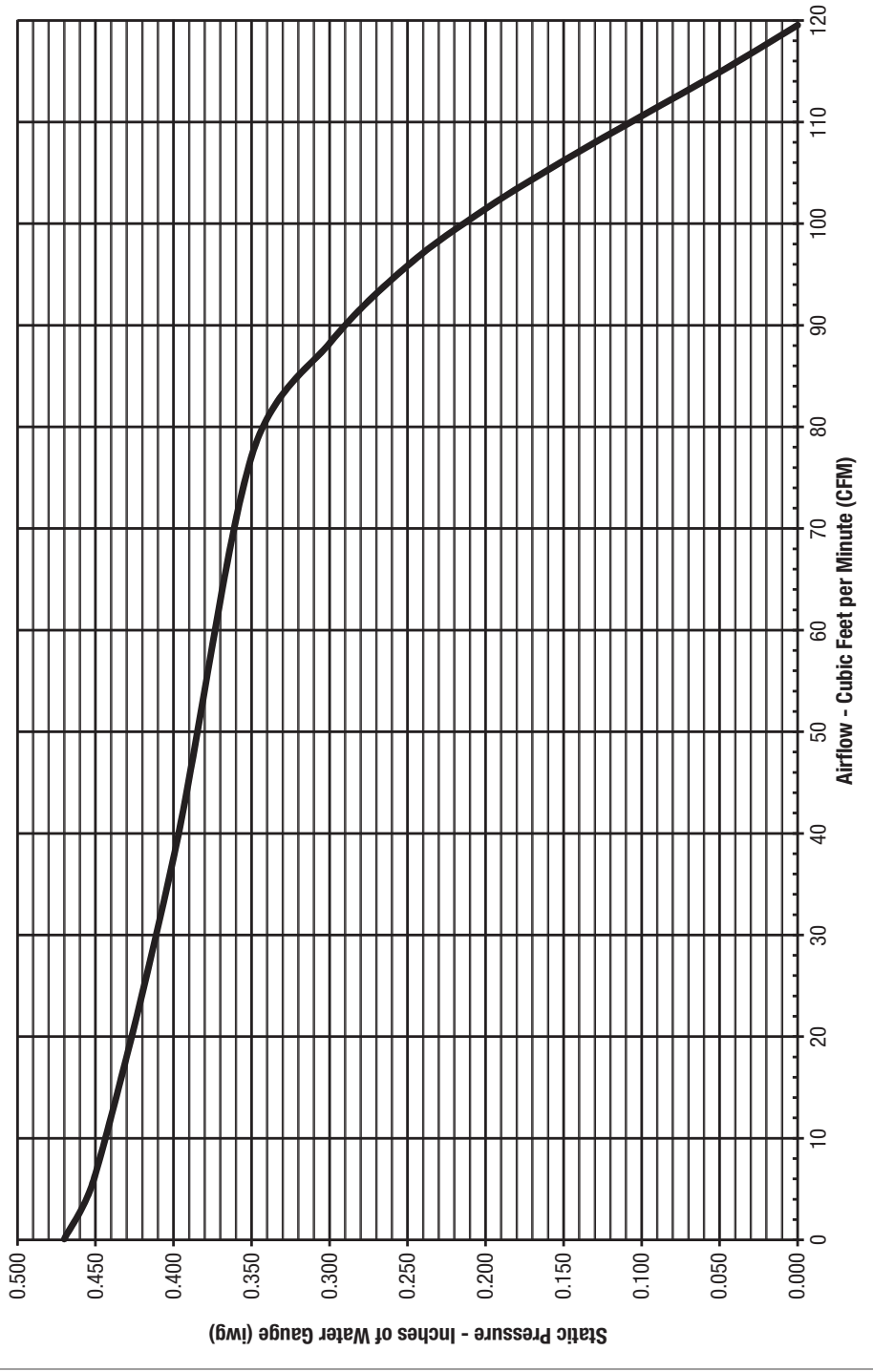
**U.S.:** 820 Lincoln Avenue  
 West Chester, Pennsylvania 19380-4466  
 Tel: (610) 692-7400 • 877-304-3785  
 Fax: (610) 696-8048

**Canada:** 8 Edvac Drive  
 Brampton, Ontario L6S 5P2  
 Tel: (905) 456-2033 • 800-250-8767  
 Fax: (905) 456-1015



SPECIFICATIONS  
**AK110LS6H**  
EXHAUST FAN

**MODEL AK110LS6H FAN CURVE**



**U.S.:** 820 Lincoln Avenue  
West Chester, Pennsylvania 19380-4466  
Tel: (610) 692-7400 • 877-304-3785  
Fax: (610) 696-8048

**Canada:** 8 Edvac Drive  
Brampton, Ontario L6S 5P2  
Tel: (905) 456-2033 • 800-250-8767  
Fax: (905) 456-1015