

IMPORTANT INSTRUCTIONS - OPERATING MANUAL

ECQ24 Series



Range Hood

READ AND SAVE THESE INSTRUCTIONS

READ CAREFULLY BEFORE ATTEMPTING TO ASSEMBLE, INSTALL, OPERATE OR MAINTAIN THE PRODUCT DESCRIBED. PROTECT YOURSELF AND OTHERS BY OBSERVING ALL SAFETY INFORMATION. FAILURE TO COMPLY WITH INSTRUCTIONS COULD RESULT IN PERSONAL INJURY AND/OR PROPERTY DAMAGE!

RETAIN INSTRUCTIONS FOR FUTURE REFERENCE.

GENERAL SAFETY INFORMATION

When using electrical appliances, basic precautions should always be followed to reduce the risk of fire, electric shock and injury to person, including the following:

WARNING: TO REDUCE THE RISK OF FIRE, ELECTRIC SHOCK AND INJURY TO PERSON, OBSERVE THE FOLLOWING:

- a) Use this unit only in the manner intended by the manufacturer. If you have questions, contact the manufacturer.
- b) Before servicing or cleaning the unit, switch power off at service panel and lock the service disconnecting means to prevent power from being switched on accidentally. When the service disconnecting means cannot be locked, securely fasten a prominent warning device, such as a tag, to the service panel.

WARNING: TO REDUCE THE RISK OF FIRE, ELECTRIC SHOCK AND INJURY TO PERSON, OBSERVE THE FOLLOWING:

- a) Installation work and electrical wiring must be done by qualified person(s) in accordance with all applicable codes and standards, including fire-related construction.
- b) Sufficient air is needed for proper combustion and exhausting of gases through the flue (chimney) of fuel burning equipment to prevent back drafting. Follow the heating equipment manufacturer's guideline and safety standards such as those published by the National Fire Protection Association (NFPA) and the American Society for Heating, Refrigeration, and Air Conditioning Engineers (ASHRAE), and the local code authorities.
- c) When cutting or drilling into wall or ceiling, do not damage electrical wiring and other hidden utilities.

CAUTION: FOR GENERAL VENTILATING USE ONLY. DO NOT USE TO EXHAUST HAZARDOUS OR EXPLOSIVE MATERIALS AND VAPORS.

CAUTION: TO REDUCE THE RISK OF FIRE AND TO PROPERLY EXHAUST AIR, BE SURE TO DUCT AIR OUTSIDE - DO NOT VENT EXHAUST AIR INTO SPACES WITHIN WALLS OR CEILINGS OR INTO ATTICS, CRAWL SPACES, OR GARAGES.

- d) Ducted fans must always be vented to the outdoors.
- e) This unit must be grounded.
- f) To avoid motor bearing damage and noisy and/or unbalanced impellers, keep drywall spray, construction dust, etc. off power unit.
- g) Read all instructions before installing or using range hood.

WARNING: TO REDUCE THE RISK OF FIRE, ELECTRIC SHOCK, DO NOT USE THIS FAN WITH ANY SOLID-STATE SPEED CONTROL DEVICE.

WARNING: TO REDUCE THE RISK OF A RANGE TOP GREASE FIRE:

- a) Never leave surface units unattended at high settings. Boilovers cause smoking and greasy spillovers that may ignite. Heat oils slowly on low or medium settings.
- b) Always turn hood ON when cooking at high heat or when flambéing food (ie. Crepes Suzette, Cherries Jubilee, Peppercorn Beef Flambé).
- c) Clean ventilating fans frequently. Grease should not be allowed to accumulate on fan filter.
- d) Use proper pan size. Always use cookware appropriate for the size of the surface element.

WARNING: TO REDUCE THE RISK OF INJURY TO PERSONS IN THE EVENT OF A RANGE TOP GREASE FIRE, OBSERVE THE FOLLOWING:

- a) SMOTHER FLAMES with a close-fitting lid, cookie sheet, or metal tray, then turn off burner. BE CAREFUL TO PREVENT BURNS. If the flames do not go out immediately, EVACUATE AND CALL THE FIRE DEPARTMENT.
- b) NEVER PICK UP A FLAMING PAN - You may be burned.
- c) DO NOT USE WATER, including wet dishcloths or towels - a violent steam explosion will result.
- d) Use an extinguisher ONLY if:
 - I. You know you have a Class ABC extinguisher, and you already know how to operate it.
 - II. The fire is small and contained in the area where it started.
 - III. The fire department is being called.
 - IV. You can fight the fire with your back to an exit.

WARNING: TO REDUCE THE RISK OF FIRE, USE ONLY METAL DUCTWORK.

SAVE THESE INSTRUCTIONS

INSTALLATION INSTRUCTIONS

CAUTION: MAKE SURE POWER IS SWITCHED OFF AT SERVICE PANEL BEFORE STARTING INSTALLATION.

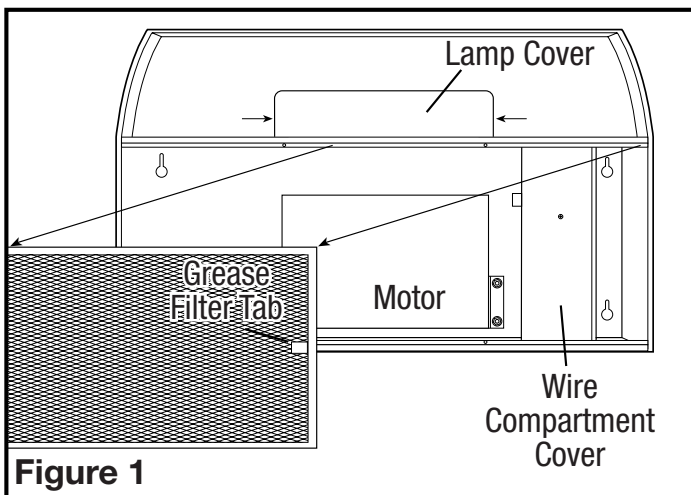
SECTION 1

Preparing the Range Hood

1. Unpack hood from the carton and confirm that all pieces are present. In addition to the range hood you should have:
 - 1 - Aluminum Grease Filter
 - 1 - 3-1/4" x 10" Duct Collar
 - 3 - Duct Collar Mounting Screws
 - 4 - #8 Mounting Screws
 - 1 - GU24 Base, 26W Fluorescent Lamp
 - 1 - Instruction/Safety Sheet

NOTE: Some hoods may be shipped with a protective plastic adhered to the range hood. It is recommended to leave this in place during installation to protect the hood from scratching. Remove when the installation is complete.

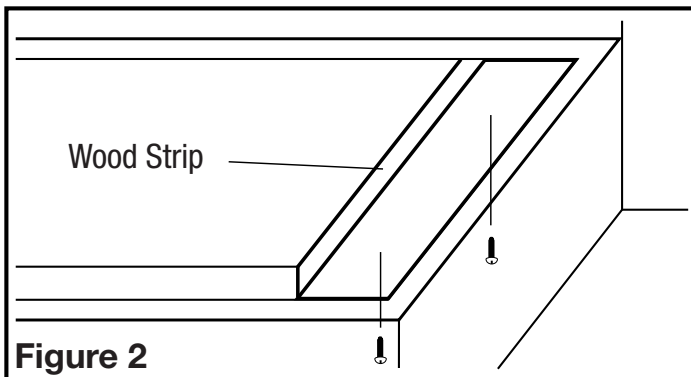
2. Lay the hood flat on a table so the underside is facing you. Use a piece of cardboard to avoid damaging the table or the hood.
3. Remove the following items from the hood and place in a safe place until needed (**Figure 1**):
 - Grease filter:** Pull on tab to remove.
 - Lamp cover:** Squeeze in the sides. The cover is held in place by tension against the tabs on the hood.
 - Wire compartment cover:** Remove the screw holding it in place.
 - Blower:** Using a 3/8" nut driver or ratchet, remove the 4 nuts holding the blower in place.



SECTION 2

Prepare the location for Hood Support

1. If the hood will be installed under cabinets that have a recessed bottom, it will be necessary to install wood mounting strips (not included) so the hood will mount properly (**Figure 2**).

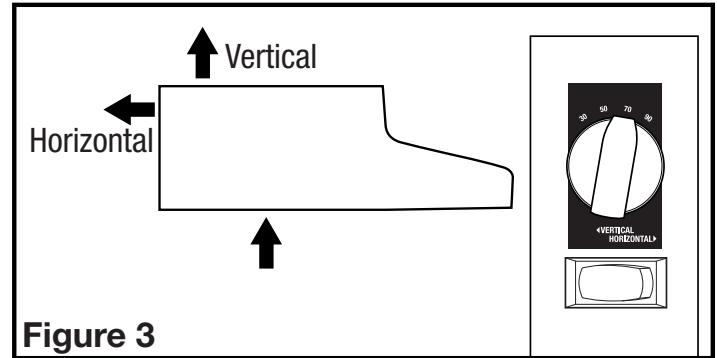


2. The thickness of the strips should be the same as the recess of the cabinet and they should be approximately 2" wide.
3. Install the strips using appropriate length wood screws (not included). Make sure the strips line up to the keyhole slots of the range hood.

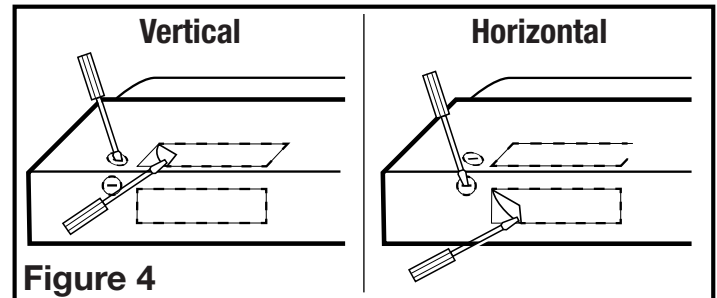
SECTION 3

Prepare the Hood for Installation

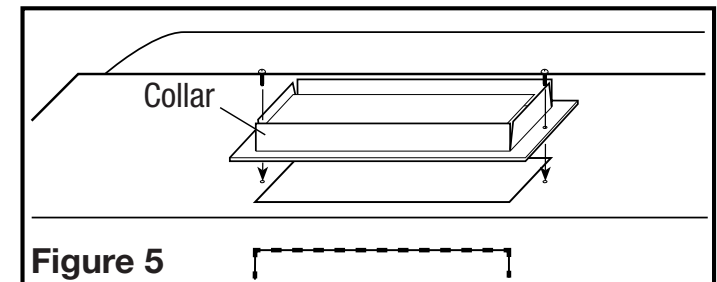
1. To ensure the best air and sound performance, it is recommended that the length of ducting and the number of elbows be kept to a minimum, the radius of each elbow be as large as possible for the installation, and that hard ducting be used. Larger duct sizes will reduce noise and airflow restrictions. This model is equipped to vent either Vertically or Horizontally through a 3-1/4" x 10" duct.
2. To choose between Vertical or Horizontal airflow, move the rocker switch located inside the wire compartment to the appropriate direction (**Figure 3**).



3. Remove the appropriate square knockout by inserting a screw driver under the edge and break the tabs holding it in place. Peel back with pliers (**Figure 4**).



4. Determine where the electrical service will enter the hood and remove the appropriate electrical knockout by inserting a screw driver into the slot and rocking back and forth until the knockout comes loose (**Figure 4**).
5. Once the proper knockout(s) have been removed, either hold the hood up to the installation location and mark the locations of the ducting, electrical, and mounting holes or mark the locations by measurement.
6. Cut appropriate holes for ducting connection and electrical connection in the wall/cabinet.
7. Install the duct collar to the hood by placing the collar over the opening and securing with the two provided screws. Using approved duct tape, tape around the collar to seal off any air leaks (**Figure 5**).



8. Install an approved wire connector to the electrical knockout of the hood and guide the electrical cable through the hood, allowing at least 6" of wire for connections and tighten.

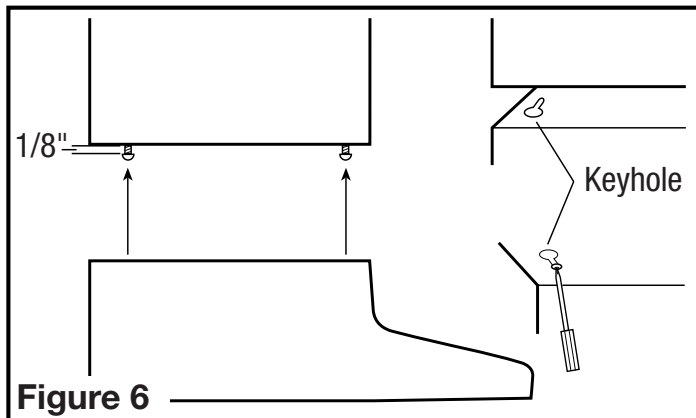
SECTION 4

Installing the Range Hood

CAUTION: MAKE SURE POWER IS SWITCHED OFF AT SERVICE PANEL BEFORE STARTING INSTALLATION.

NOTE: If installing into existing construction and you will not have access to the ductwork once the hood is in place, make ducting connections at this point. Refer to the Ducting Section for instructions.

1. Install the 4 mounting screws at the previously marked locations. Leave approximately 1/8" clearance. Slide the hood in place through the keyhole slots and align the front of the hood so that it is flush with the front of the cabinets. Tighten all screws securely (Figure 6).



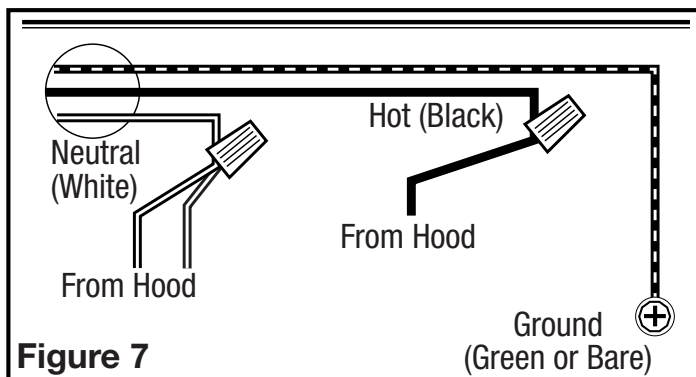
CAUTION: DO NOT INSTALL CLOSER THAN 20 INCHES ABOVE COOKING SURFACE.

SECTION 5

Wiring

CAUTION: ALL ELECTRICAL CONNECTIONS MUST BE MADE IN ACCORDANCE WITH LOCAL CODES, ORDINANCES, OR NATIONAL ELECTRICAL CODE. IF YOU ARE UNFAMILIAR WITH METHODS OF INSTALLING ELECTRICAL WIRING, SECURE THE SERVICES OF A QUALIFIED ELECTRICIAN.

1. Connect the two loose White wires from the range hood to the White wire from the supply, and the loose Black wire from the range hood to the Black wire of the supply. Connect the ground wire (green or bare) from the supply to the green ground screw of the hood. Use approved methods for all connections (Figure 7).



2. Install the wire compartment cover and tighten screw. Make sure all wiring is securely contained within the wire compartment.

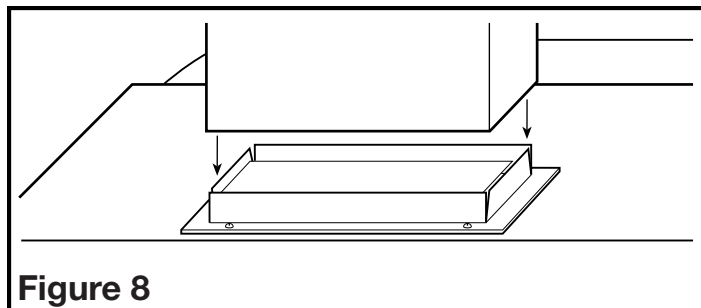
SECTION 6

Ducting

CAUTION: ALL DUCTING MUST COMPLY WITH LOCAL AND NATIONAL BUILDING CODES.

WARNING: TO REDUCE THE RISK OF FIRE, USE ONLY METAL DUCTWORK.

1. Connect the ducting to the hood's duct collar. Secure in place using tape to seal all joints (Figure 8).

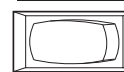


CAUTION: ALWAYS DUCT THE FAN TO THE OUTSIDE THROUGH A WALL OR ROOF CAP.

SECTION 7

Setting the speed control

1. Your range hood is equipped with a speed control that allows the hood to run continuously at the preset CFM level. To set the CFM level, move the rotary dial located inside the wire compartment to the desired CFM.
2. Locate the rocker switch labeled "ASHRAE 62.2" on the speed control cover and make sure it is in the ON position. To turn the continuous speed function off, set the switch to the OFF position.



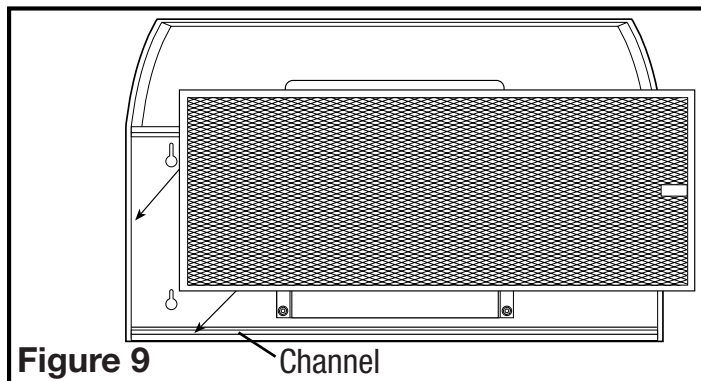
WARNING: SWITCHING THE CONTINUOUS SPEED ROCKER SWITCH TO THE OFF POSITION DOES NOT TURN THE MAIN POWER TO THE HOOD OFF.



SECTION 8

Finishing the Installation

1. Reinstall the bottom cover removed in Section 1 using the 4 screws to secure it in place.
2. Reinstall the filter by fitting into the channel of the hood and pushing upwards until it is secured in place (Figure 9).



3. Install the included 26 watt fluorescent lamp into the lamp holder by lining up the pins on the lamp base to the socket of the lamp holder and turning the lamp body clockwise until the lamp snaps into place and is firmly seated in the lamp holder. Install a 4 watt maximum type C7 (candelabra base) night light (not included) into the side lamp holder and reinstall the lamp cover by squeezing the cover's sides and fitting them into the slots on the hood.
4. Turn switches to the "OFF" position and restore power. Test that the light and the fan are operating properly.
5. If there is any vibration noise, check for the source and try to tighten fasteners or adjust the tape to make a tighter connection or seal.

SECTION 9

Controls

Your Range Hood is equipped with two rotary switches with one controlling the lighting and the other controlling the exhaust fan. The light switch has three positions, Main Light (●), Night Light (◐), and OFF (■). The fan switch has three positions, High, Low, and OFF.

Choosing any speed setting will override the continuous operation of the hood. Once the hood is set to the OFF (■) position on the main control panel, the continuous operation speed will once again engage.

To turn the continuous operation speed off, you will need to remove the wire compartment cover and locate the rocker switch labeled "ASHRAE 62.2" on the speed selection cover. Selecting the OFF position will turn the continuous speed function off. The hood will still operate when speeds are selected through the main control panel.

WARNING: SWITCHING THE CONTINUOUS SPEED ROCKER SWITCH TO THE OFF POSITION DOES NOT TURN THE MAIN POWER TO THE HOOD OFF.

SECTION 10

Maintenance

CAUTION: MAKE SURE POWER IS SWITCHED OFF AT SERVICE PANEL BEFORE SERVICING THE UNIT.

Filters

- Grease Filter** - Included with your range hood are aluminum grease filters that should be washed at least once a month. The filters are dishwasher safe and should be washed in a mild soap or detergent. Reverse the instructions in the "Finishing the Installation" section of the instructions to remove filters. If the grease filters become damaged, replace with Air King Model GF-07 Grease Filters.

Changing the Lamp

- Remove the lamp cover by squeezing in the sides. The cover is held in place by tension against the tabs on the hood.

Fluorescent Lamp: Remove lamp by gently twisting counterclockwise to release the lamp from the base. Installation is the reverse of removal. Replace with Air King model 26SBL or a compatible 26W GU24 lamp.

Night Light: Unscrew night light bulb from socket and replace with a 4 watt maximum type C7 (candelabra base) night light bulb.

Fuse

- To replace the fuse, turn the fuse cap located next to the wire connector counter clockwise and pull out. Replace with only a 125-Volt fuse, 1-1/2 Amp Max. Reinstall the fuse back into the hood.

Cleaning

CAUTION: DO NOT USE GASOLINE, BENZINE, THINNER, HARSH CLEANSERS, ETC., AS THEY MAY DAMAGE THE RANGE HOOD.

- Clean your range hood with a mild detergent, such as dishwashing liquid, and dry with a soft cloth. **NEVER USE ANY ABRASIVE PADS OR SCOURING POWDERS.** Completely dry before restoring power. **NEVER IMMERSER ELECTRICAL PARTS IN WATER.**
- The fan assembly can be vacuumed when build up (dirt, lint, etc.) accumulates over time. The fan is permanently lubricated and does not require oiling.

Troubleshooting Guide

Trouble	Probable Cause	Suggested Remedy
1. Hood does not operate when the switch is on.	1a. A fuse may be blown or a circuit tripped. 1b. Wiring is not connected properly.	1a. Replace fuse or reset circuit breaker. 1b. Turn off power to unit. Check that all wires are connected.
2. Hood is operating, but air moves slower than normal.	2. Obstruction in the exhaust ducting.	2. Check for any obstructions in the ducting including filter.
3. Hood is making a rattling noise.	3a. Filters are loose. 3b. Duct connection is loose.	3a. Turn off power to unit. Check that all filter are securely in place. 3b. Turn off power to unit. Check that duct connection is tight.

Installer: _____

Installation Date: _____

Place of Purchase: _____

Model Number: _____

LIMITED WARRANTY

WHAT THIS WARRANTY COVERS: This product is warranted against defects in workmanship and/or materials.

HOW LONG THIS WARRANTY LASTS: This warranty extends only to the original purchaser of the product and lasts for five (5) years from the date of original purchase or until the original purchaser of the product sells or transfers the product, whichever first occurs.

WHAT AIR KING WILL DO: During the warranty period, Air King will, at its sole option, repair or replace any part or parts that prove to be defective or replace the whole product with the same or comparable model.

WHAT THIS WARRANTY DOES NOT COVER: This warranty does not apply if the product was damaged or failed because of accident, improper handling, installation, or operation, shipping damage, abuse, misuse, unauthorized repairs made or attempted. This warranty does not cover shipping costs for the return of products to Air King for repair or replacement. Air King will pay return shipping charges from Air King following warranty repairs or replacement.

ANY AND ALL WARRANTIES, EXPRESSED OR IMPLIED (INCLUDING, WITHOUT LIMITATION, ANY IMPLIED WARRANTY OF MERCHANTABILITY), LAST ONE YEAR FROM THE DATE OF ORIGINAL PURCHASE OR UNTIL THE ORIGINAL PURCHASER OF THE PRODUCT SELLS OR TRANSFERS THE PRODUCT, WHICHEVER FIRST OCCURS AND IN NO EVENT SHALL AIR KING'S LIABILITY UNDER ANY EXPRESS OR IMPLIED WARRANTY INCLUDE (I) INCIDENTAL OR CONSEQUENTIAL DAMAGES FROM ANY CAUSE WHATSOEVER, OR (II) REPLACEMENT OR REPAIR OF ANY HOUSE FUSES, CIRCUIT BREAKERS OR RECEPTACLES. NOTWITHSTANDING ANYTHING TO THE CONTRARY, IN NO EVENT SHALL AIR KING'S LIABILITY UNDER ANY EXPRESS OR IMPLIED WARRANTY EXCEED THE PURCHASE PRICE OF THE PRODUCT AND ANY SUCH LIABILITY SHALL TERMINATE UPON THE EXPIRATION OF THE WARRANTY PERIOD.

Some states and provinces do not allow limitations on how long an implied warranty lasts, or the exclusion or limitation of incidental or consequential damages, so these exclusions or limitations may not apply to you. This warranty gives you specific legal rights. You may also have other rights which vary from state to state and province to province. Proof of purchase is required before a warranty claim will be accepted.

CUSTOMER SERVICE:

Toll-Free (800) 465-7300

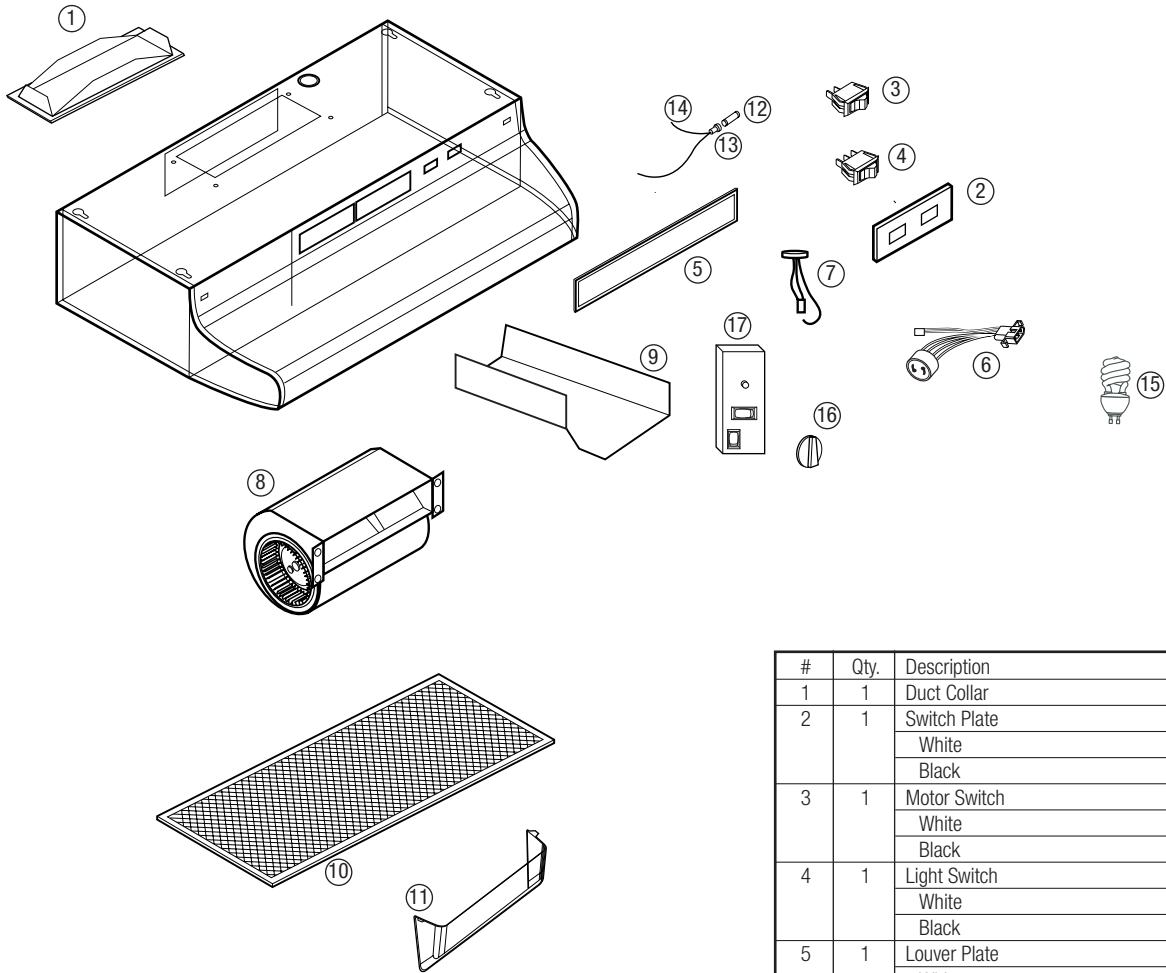
Our Customer Service team is available to assist you with product questions, service center locations, and replacement parts. They can be reached Monday through Friday, 8am-4pm Eastern. Please have your model number available, as well as the type and style (located on the label inside of your product).

Please do not return product to place of purchase.

www.airkinglimited.com

PARTS FOR DISCONTINUED, OBSOLETE AND CERTAIN OTHER PRODUCTS MAY NOT BE AVAILABLE. DUE TO SAFETY REASONS, MANY ELECTRONIC COMPONENTS AND MOST HEATER COMPONENTS ARE NOT AVAILABLE TO CONSUMERS FOR INSTALLATION OR REPLACEMENT.

REPLACEMENT PARTS DIAGRAM



#	Qty.	Description	Replacement Part #
1	1	Duct Collar	5S1199080
2	1	Switch Plate	
		White	5S1421003
		Black	5S1421006
3	1	Motor Switch	
		White	5S1418003
		Black	5S1418006
4	1	Light Switch	
		White	5S1418003
		Black	5S1418006
5	1	Louver Plate	
		White	5S1429003
		Black	5S1429006
6	1	GU24 Lamp Holder Assembly	5S1199701
7	1	Capacitor Harness	5S1145056
8	1	Blower Assembly	5S2144001
9	1	Wire Compartment Cover	5S1144090
10	1	Grease Filter (GF-07)	5S1144524
11	1	Lamp Cover	5S1111053
12	1	Fuse	5S1111054
13	1	Fuse Holder	5S1199205
14	1	Lead Wire in Fuse Holder	5S1111055
15	1	26W GU24 Lamp	5S9999010
16	1	Knob	5S1420004
17	1	Speed Control Assembly	5S1144090

INSTRUCCIONES IMPORTANTES – MANUAL DE OPERACIÓN

Séries ECQ24



Hotte de cuisinière

LIRE ET CONSERVER CES INSTRUCTIONS

LIRE SOIGNEUSEMENT AVANT DE TENTER D'ASSEMBLER, INSTALLER, OPÉRER OU DE RÉPARER LE PRODUIT DÉCRIT. PROTÉGEZ VOUS-MÊME ET LES AUTRES EN OBSERVANT TOUTE L'INFORMATION DE SÉCURITÉ. FAILLIR À SE CONFORMER AUX INSTRUCTIONS PEUT RÉSULTER EN BLESSURE PERSONNELLE GRAVE ET/OU EN DOMMAGE À LA PROPRIÉTÉ.

CONSERVER CES INSTRUCTIONS POUR RÉFÉRENCES FUTURES.

INSTRUCTIONS GÉNÉRALES DE SÉCURITÉ

Lors de l'utilisation d'appareils électriques, des précautions de base doivent toujours être suivies pour réduire les risques d'incendie, de choc électrique et de blessures corporelles, incluant ce qui suit:

AVERTISSEMENT : POUR RÉDUIRE LES RISQUES D'INCENDIE, DE CHOC ÉLECTRIQUE OU DE BLESSURES PERSONNELLES OBSERVER CE QUI SUIT:

- Utiliser cette unité seulement de la manière pour laquelle le fabricant l'a conçu. Si vous aviez des questions, veuillez contacter le fabricant.
- Avant d'effectuer un service ou de nettoyer l'unité, couper l'alimentation électrique dans le panneau de distribution et verrouiller le dispositif de déconnexion afin d'éviter que l'alimentation ne revienne accidentellement. Lorsque le dispositif ne peut être verrouillé, fixer solidement un avis d'avertissement, tel qu'une étiquette, au panneau de distribution.

AVERTISSEMENT : POUR RÉDUIRE LES RISQUES D'INCENDIE, DE CHOC ÉLECTRIQUE OU DE BLESSURES PERSONNELLES OBSERVER CE QUI SUIT:

- Le travail d'installation et le câblage électrique doivent être effectués par une(des) personne(s) qualifiée(s) en conformité avec tous les codes et normes applicables, incluant la construction relative aux incendies.
- De l'air en quantité suffisante est requis pour la bonne combustion et l'évacuation de gaz par le conduit (cheminée) provenant d'équipement de brûlage au combustible pour prévenir un refoulement. Suivre les directives du fabricant de l'équipement de chauffage et les normes de sécurité telles que celles publiées par la National Fire Protection Association (NFPA) et de la American Society for Heating, Refrigeration, and Air Conditioning Engineers (ASHRAE), et de celles des autorités locales du code.
- Lorsque vous coupez ou percez un mur ou un plafond, prenez garde de ne pas endommager les fils électriques ou tout appareil qui pourrait être dissimulé.

AVERTISSEMENT : POUR RÉDUIRE LES RISQUES D'INCENDIE ET POUR ÉVACUER L'AIR ADÉQUATEMENT, ASSUREZ-VOUS D'ÉVACUER L'AIR VERS L'EXTÉRIEUR – NE PAS ÉVACUER L'AIR DANS DES ESPACES DANS LES MURS, LES PLAFONDS OU LES GRENIERS, LES GALERIES TECHNIQUES OU LES GARAGES.

AVERTISSEMENT : POUR USAGE DE VENTILATION GÉNÉRALE EXCLUSIVEMENT. NE PAS UTILISER POUR ÉVACUER DU MATÉRIEL ET DES VAPEURS DANGEREUSES OU EXPLOSIVES.

- Les ventilateurs avec conduits doivent toujours être évacués vers l'extérieur.
- Cette unité doit être mise à la terre.
- Pour éviter des dommages aux roulements des moteurs et/ou des hélices bruyantes ou déséquilibrées, empêcher la poussière de cloison sèche, poussière de construction, etc., d'atteindre l'unité de puissance.
- Lire toutes les instructions avant d'installer ou d'utiliser la hotte de cuisine.

AVERTISSEMENT : POUR RÉDUIRE LES RISQUES D'INCENDIE OU DE CHOC ÉLECTRIQUE, NE PAS UTILISER CE VENTILATEUR AVEC UN RÉGULATEUR DE VITESSE ÉLECTRONIQUE.

AVERTISSEMENT : POUR RÉDUIRE LES RISQUES D'INCENDIE DE GRAISSE SUR LE DESSUS DE LA CUISINIÈRE:

- Ne jamais laisser les unités de surface à des degrés élevés sans surveillance. Les débordements par bouillonnement produisent de la fumée et des débordements graisseux qui peuvent s'enflammer. Chauffer les huiles lentement à des degrés faibles ou modérés.
- Toujours mettre la hotte EN MARCHÉ lors de cuisson à haute température ou lors de flambage de nourriture (par ex., des Crêpes Suzette, de Cerises Jubilé, etc.)
- Nettoyer les ventilateurs d'évacuation fréquemment. Aucune accumulation de graisse ne devrait être tolérée sur les filtres du ventilateur.
- Utiliser des poêlons de taille appropriée. Toujours utiliser les batteries de cuisine appropriées pour la taille de l'élément de surface.

AVERTISSEMENT : POUR RÉDUIRE LES RISQUES DE BLESSURES PERSONNELLES DANS L'ÉVENTUALITÉ D'UN FEU DE GRAISSE SUR LA SURFACE DE CUISSON, SUIVRE LES INDICATIONS SUIVANTES:

- ÉTOUFFER LES FLAMMES avec un couvercle bien ajusté, une tôle à biscuits, ou un cabaret de métal, puis, mettre le gril hors fonction. PRENEZ SOIN D'ÉVITER LES BRÛLURES. Si les flammes ne s'éteignent pas immédiatement, ÉVACUER ET APPELER LE SERVICE DES INCENDIES.
- NE JAMAIS SAISIR UN POÊLON EN FLAMME – vous pourriez être brûlé.
- NE PAS UTILISER DE L'EAU, incluant les linges à vaisselle ou les serviettes mouillées – il en résulterait une violente explosion de vapeur.
- Utiliser un extincteur SEULEMENT SI:
 - Vous savez que vous avez un extincteur de classe ABC, et que vous savez déjà comment l'opérer.
 - Le feu est petit et contenu dans la zone où il a commencé.
 - On appelle le service des incendies.
 - Vous pouvez combattre l'incendie avec une sortie derrière vous.

AVERTISSEMENT : POUR RÉDUIRE LES RISQUES D'INCENDIE, UTILISER UNIQUEMENT DES CONDUITS EN MÉTAL.

CONSERVER CES INSTRUCTIONS

INSTRUCTIONS POUR L'INSTALLATION

MISE EN GARDE : MAKE SURE POWER IS SWITCHED OFF AT SERVICE PANEL BEFORE STARTING INSTALLATION.

SECTION 1

Préparation de la hotte de cuisinière

- Sortez la hotte de l'emballage et assurez-vous d'avoir toutes les pièces. En plus de la hotte, vous devriez avoir :
 - 1 - Filtre à graisses en aluminium
 - 1 - Adaptateur de conduit de 8,25 cm x 25,4 cm
 - 3 - Vis de montage de l'adaptateur
 - 4 - Vis de montage no 8
 - 1 - Base GU24, lampe fluorescente de 26W
 - 1 - Instructions et mesures de sécurité

REMARQUE : Certaines hottes peuvent être expédiées avec un plastique protecteur collé sur la hotte. Il est recommandé de la laisser en place durant l'installation pour protéger la hotte contre les égratignures. L'enlever lorsque l'installation sera complétée.

- Déposez la hotte à plat sur la table de manière à ce que la partie inférieure soit face à vous. Placez un morceau de carton en dessous afin d'éviter d'endommager la table ou la hotte.
- Retirez les pièces suivantes de la hotte et placez-les à un endroit sûr jusqu'à ce que vous en ayez besoin (**Figure 1**) :

Filtre à graisse : tirez sur le languette pour les retirer.

Écran protecteur de lampe : appuyez sur les côtés. Le panneau est maintenu en place grâce à la pression exercée sur les languettes de la hotte.

Couvercle du compartiment des fils : retirez la vis qui le maintient en place.

Ventilateur : à l'aide d'un tournevis à douille ou d'une clé à cliquet de 3/8 po, retirez les 4 écrous qui tiennent le ventilateur.

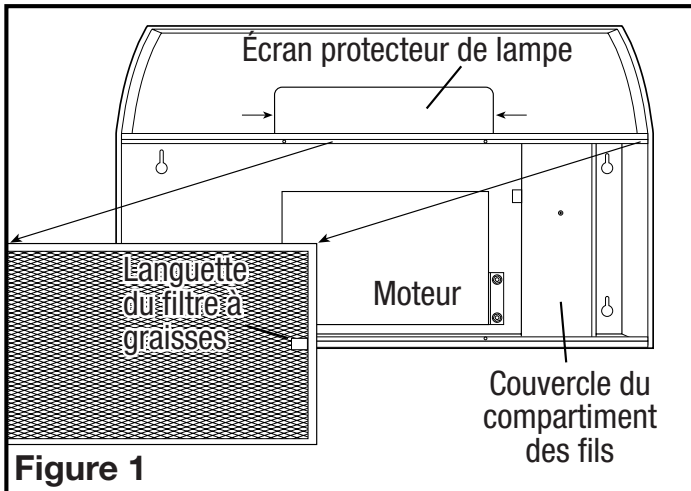


Figure 1

SECTION 2

Préparez l'emplacement du support de la hotte.

- Pour installer la hotte sous des armoires dont la base est en retrait, il faut d'abord installer des bandes de fixation en bois (non comprises) afin que la hotte soit fixée convenablement (**Figure 2**).

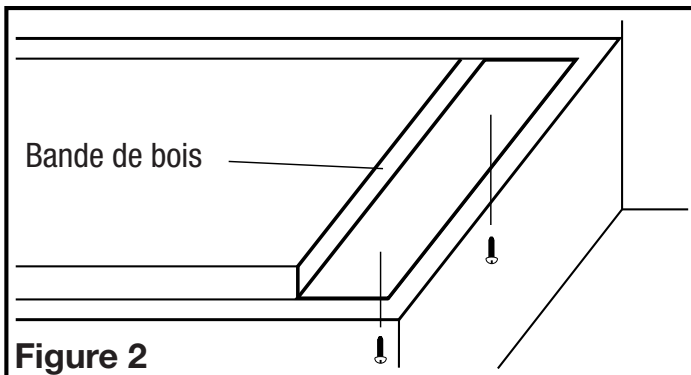


Figure 2

- L'épaisseur des bandes doit correspondre au retrait de l'armoire et doit avoir une largeur d'environ 5 cm.
- Posez les bandes à l'aide de vis à bois (non comprises) de longueur appropriée. Assurez-vous que les bandes sont alignées aux encoches en trou de serrure de la hotte.

SECTION 3

Préparez la hotte pour l'installation

- Pour garantir la meilleure qualité d'air et performance acoustique, il est recommandé que la longueur de la canalisation et le nombre de coudes soient réduits au minimum, que le rayon de chaque coude soit aussi grand que possible pour l'installation, et que des conduits rigides soient utilisés. Ce modèle peut évacuer l'air verticalement ou horizontalement par un conduit de 8,25 cm sur 25,4 cm.
- Pour sélectionner entre les flux d'air vertical ou horizontal, déplacez l'interrupteur à bascule situé à l'intérieur du compartiment de fil à la direction appropriée (**Figure 3**).

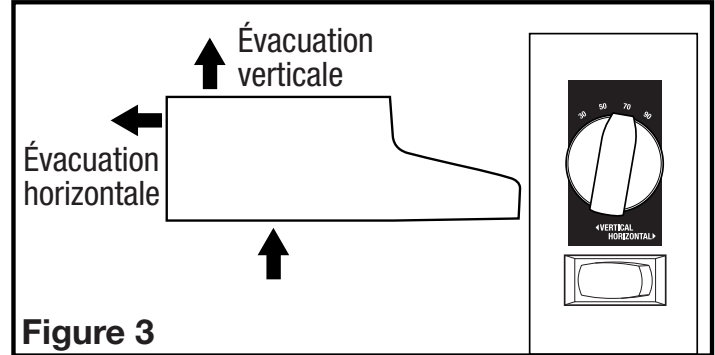


Figure 3

- Évacuation horizontale ou verticale :** retirez la pièce rectangulaire défonçable. Pour ce faire, insérez un tournevis dans le pourtour et brisez les attaches qui le retiennent. Enlevez ensuite la pièce avec des pinces (**Figure 4**).

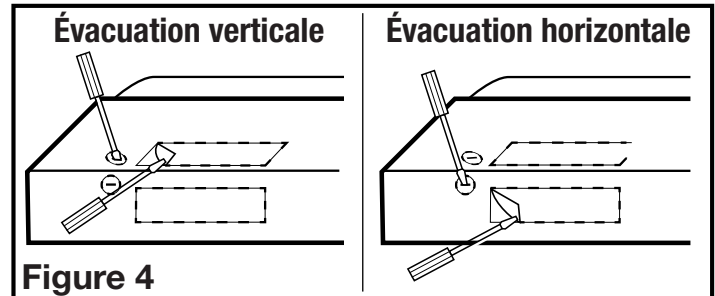


Figure 4

- Déterminez par où les fils entreront dans la hotte et retirez l'entrée électrique défonçable appropriée. Pour ce faire, insérez un tournevis dans la fente et faites un mouvement de va-et-vient jusqu'à ce que la pièce se détache (**Figure 4**).
- Une fois que l'entrée défonçable appropriée a été enlevée, tenez la hotte à l'endroit où elle sera fixée et marquez l'emplacement des trous pour les conduits, les entrées électriques et l'installation. Sinon, vous pouvez prendre les mesures et faire les marques à partir de celles-ci.
- Percez des trous dans le mur ou l'armoire pour le raccord de conduit et l'entrée électrique.
- Installez le collet de conduit de la hotte en plaçant le collet sur l'ouverture et la fixer avec les deux vis fournies. À l'aide de ruban adhésif approuvé, appliquez autour du col pour sceller les fuites d'air (**Figure 5**).

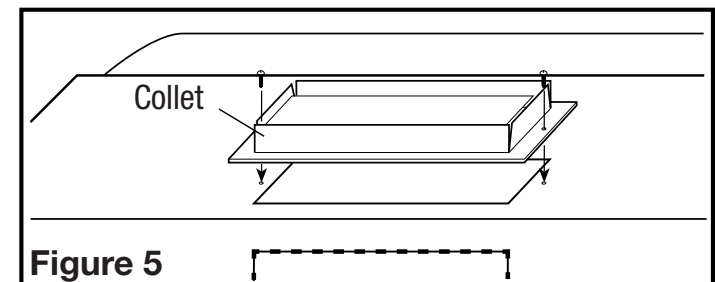


Figure 5

- Passez le câble par l'entrée électrique en prenant soin de garder un jeu de 15,24 cm pour les raccords, puis fixez le capuchon de connexion homologué au câble en le vissant.

SECTION 4

Installation de la hotte

MISE EN GARDE : ASSUREZ-VOUS QUE L'ALIMENTATION ÉLECTRIQUE EST COUPÉE À PARTIR DU PANNEAU DE DISTRIBUTION AVANT DE COMMENCER L'INSTALLATION.

REMARQUE : si vous installez la hotte dans une construction existante et que vous n'aurez plus accès aux conduits une fois la hotte fixée, posez-les maintenant. Pour ce faire, consultez les instructions de la section traitant des conduits.

1. Vissez les 4 vis de montage aux endroits préalablement marqués. Laissez un jeu d'environ 0,32 cm. Faites glisser les vis dans les encoches en trou de serrure de la hotte, en prenant soin d'aligner la partie avant de la hotte avec le rebord des armoires. Ensuite, serrez fermement toutes les vis (Figure 6).

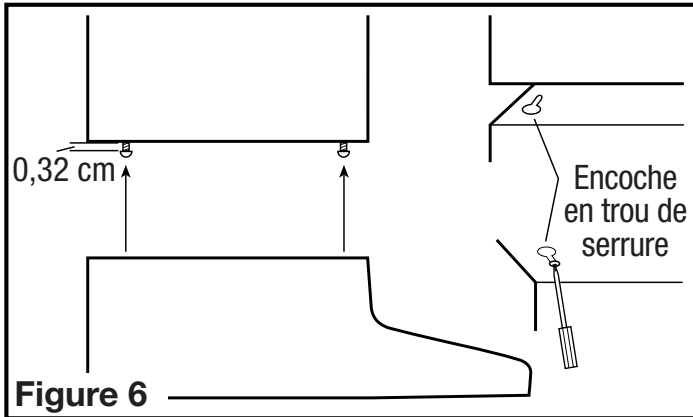


Figure 6

MISE EN GARDE : NE PAS INSTALLER À MOINS DE 20 POUCHES AU-DESSUS LA SURFACE DE CUISSON.

SECTION 5

Câblage

MISE EN GARDE : TOUTES LES CONNEXIONS ÉLECTRIQUES DOIVENT ÊTRE CONFORMES AUX CODES DU BÂTIMENT LOCAUX, AUX RÉGLEMENTS LOCAUX OU AU CODE NATIONAL DE L'ÉLECTRICITÉ. SI LES MÉTHODES POUR INSTALLER DES CÂBLAGES ÉLECTRIQUES NE VOUS SONT PAS FAMILIÈRES, FAITES APPEL AUX SERVICES D'UN ÉLECTRICIEN QUALIFIÉ.

1. Connectez les deux câbles blancs lâches de la hotte au câble blanc de l'alimentation, et le câble noir lâche de la hotte au câble noir de l'alimentation. Branchez le fil de mise à la terre (vert ou dénudé) du bloc d'alimentation à la vis de mise à la terre verte de la hotte. Suivez les méthodes homologuées pour effectuer toutes les connexions (Figure 7).

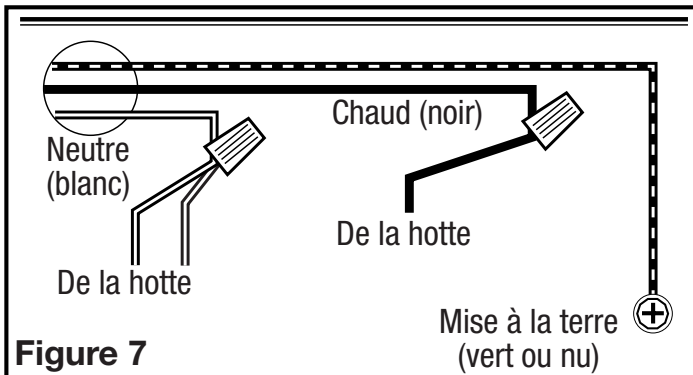


Figure 7

2. Placez le couvercle du compartiment de fils et serrez la vis. Assurez-vous que tous les fils sont placés de manière sécuritaire à l'intérieur du compartiment.

SECTION 6

Conduits

MISE EN GARDE : TOUS LES CONDUITS DOIVENT ÊTRE CONFORMES AUX CODES DU BÂTIMENT LOCAUX ET NATIONAUX.

AVERTISSEMENT : AFIN DE RÉDUIRE LES RISQUES D'INCENDIE, UTILISEZ UNIQUEMENT DES CONDUITS EN MÉTAL.

1. Connectez la canalisation au col du conduit de la hotte. Fixez en place avec du ruban adhésif pour sceller tous les joints (Figure 8).

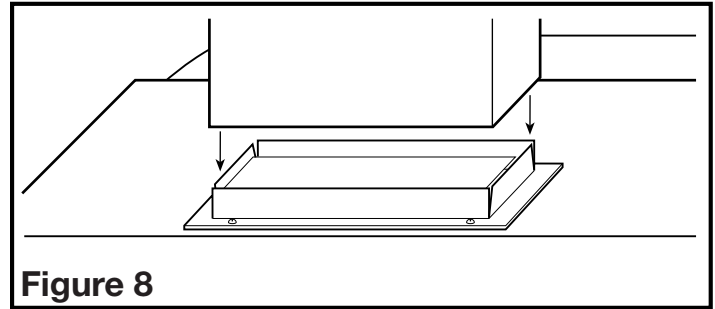


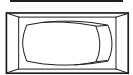
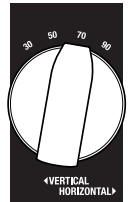
Figure 8

MISE EN GARDE : DIRIGEZ TOUJOURS LES CONDUITS DU VENTILATEUR VERS L'EXTÉRIEUR EN VOUS ASSURANT QUE L'EXTRÉMITÉ EST MUNIE D'UN CAPUCHON DE MUR OU DE TOIT.

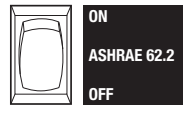
SECTION 7

Réglage de la vitesse

1. Votre hotte est équipée d'un régulateur de vitesse qui permet à la hotte de fonctionner en continu au niveau prédéfini de CFM. Pour définir le niveau de CFM, déplacez le cadran rotatif situé à l'intérieur du compartiment de fil à la CFM souhaitée.
2. Repérez l'interrupteur à bascule portant la mention «ASHRAE 62.2» sur la couverture de contrôle de vitesse et assurez-vous qu'il est en position MARCHÉ. Pour désactiver la fonction de la vitesse en continu, réglez le commutateur à la position ARRÊT.



AVERTISSEMENT : CHANGER L'INTERRUPTEUR A BASCULE DE LA VITESSE EN CONTINU A LA POSITION ARRÊT NE TOURNE PAS L'ALIMENTATION PRINCIPALE DE LA HOTTE À LA POSITION ARRÊT.



SECTION 8

Fin de l'installation

1. Réinstallez le panneau inférieur que vous avez retiré à la Section 1 en le fixant à l'aide des 4 vis.
2. Réinstallez les filtres en les glissant dans les rainures, de chaque côté de la hotte, et en les poussant vers le haut jusqu'à ce qu'ils soient bien en place (Figure 9).

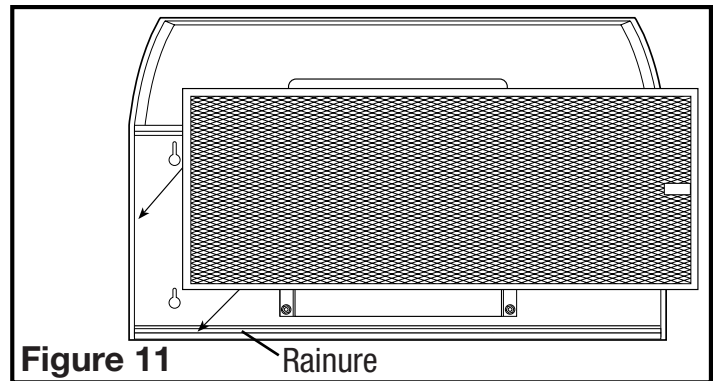


Figure 11

Rainure

3. Installez la lampe fluorescente de 26 watts dans la douille en alignant les broches de la base de la lampe à la prise de la douille de lampe. Tournez le corps de la lampe dans le sens horaire jusqu'à ce que la lampe s'enclenche et est fermement en place dans la douille. Installez une lampe veilleuse (non comprise) de type C7 (à petit culot) d'un maximum de 4 watts dans la douille latérale, puis réinstallez l'écran protecteur de lampe. Pour ce faire, serrez les côtés de l'écran et insérez-les dans les encoches de la hotte.
4. Mettez les deux interrupteurs en position « arrêt », puis rétablissez l'alimentation électrique. Vérifiez si la lumière et le ventilateur fonctionnent correctement.
5. Si vous entendez un bruit de vibration, cherchez-en la source et essayez de resserrer les fixations. Sinon, vous pouvez ajuster le ruban adhésif afin de resserrer ou de sceller le point de connexion.

SECTION 9

Commandes

Votre hotte est munie de deux interrupteurs rotatifs dont un règle l'éclairage et l'autre le ventilateur d'évacuation. L'interrupteur de la lampe a trois positions : lampe principale (●), lampe veilleuse (◀), et arrêt (■). L'interrupteur du ventilateur a trois positions, élevé, faible, et arrêt.

Choisir un paramètre de vitesse remplacera le fonctionnement continu de la hotte. Une fois le capot est réglé sur la position ARRÊT (■) sur le panneau de contrôle principal, la vitesse de fonctionnement en continu se réamorcera.

Pour désactiver la vitesse de fonctionnement en continu, vous devrez retirer le couvercle du compartiment de fil et localiser l'interrupteur à bascule portant la mention «ASHRAE 62.2" sur le couvercle de sélecteur de vitesse. La sélection de la position ARRÊT désactivera la fonction de la vitesse continue. La hotte continuera à fonctionner lorsque les vitesses sont sélectionnées par le biais du panneau de contrôle principal.

AVERTISSEMENT : CHANGER L'INTERRUPTEUR A BASCULE DE LA VITESSE EN CONTINU A LA POSITION ARRÊT NE TOURNE PAS L'ALIMENTATION PRINCIPALE DE LA HOTTE À LA POSITION ARRÊT.

SECTION 10

Entretien

MISE EN GARDE : ASSUREZ-VOUS QUE L'ALIMENTATION ÉLECTRIQUE EST COUPÉE À PARTIR DU PANNEAU DE DISTRIBUTION AVANT DE PROCÉDER À L'ENTRETIEN DE L'APPAREIL.

Filtres

- Filtre à graisses** - Des filtres à graisses en aluminium, que vous devez nettoyer au moins une fois par mois, sont inclus avec la hotte. Ceux-ci vont au lave-vaisselle et doivent être lavés avec un savon ou un détergent doux. Pour retirer les filtres, suivez les instructions de la section « Fin de l'installation » en commençant par la fin. Remplacez les filtres à graisses endommagés par des filtres Air King de modèle GF-07.

Changement de la lampe

- Retirez l'écran protecteur de lampe en appuyant sur les côtés. Le panneau est maintenu en place grâce à la pression exercée sur les languettes de la hotte.

Ampoule fluorescente : Retirez la lampe en tournant attentivement dans le sens contraire des aiguilles d'une montre pour libérer la lampe de la base. L'installation est l'inverse de la dépose. L'installation est l'inverse du démontage. Remplacez par le modèle 26SBL de Air King ou une lampe compatible de 26W GU24.

Lampe veilleuse : dévissez l'ampoule de la veilleuse de la douille et remplacez-la par une ampoule de veilleuse de type C7 (à petit culot) d'un maximum de 4 watts.

Fusible

- Pour remplacer la fusible, tournez vers la droite le dessus de la fusible localisée à côté du fil conducteur et tirez. Remplacez avec une fusible de 125 volts, 1-1/2 ampères max. Remettez la fusible dans son emplacement.

Nettoyage

MISE EN GARDE : N'UTILISEZ PAS D'ESSENCE, DE BENZINE, DE DILUANT, DE PRODUITS D'ENTRETIEN PUISSANTS, ETC., PUISQU'ILS POURRAIENT ENDOMMAGER LA HOTTE.

- Nettoyez la hotte avec du savon doux, comme du savon à vaisselle liquide, et un chiffon doux et sec. **N'UTILISEZ JAMAIS DE TAMPON ABRASIF OU DE POUDRE À RÉCURER.** Essuyez complètement l'appareil avant de rétablir l'alimentation électrique. **N'IMMERGEZ JAMAIS DE COMPOSANTS ÉLECTRIQUES DANS L'EAU.**
- Vous pouvez nettoyer les dépôts (saletés, peluches, etc.) qui se sont accumulés dans le ventilateur à l'aide d'un aspirateur. Comme le ventilateur est continuellement lubrifié, il n'est pas nécessaire de l'huiler.

Guide de dépannage

Trouble	Cause possible	Solution suggérée
1. La hotte ne fonctionne pas lorsque l'interrupteur est à EN (ON).	1a. Un fusible peut être grillé ou un disjoncteur peut être déclenché. 1b. Le câblage n'est pas raccordé correctement.	1a. Remplacer le fusible ou réinitialiser le disjoncteur. 1b. Couper l'alimentation de l'unité. Vérifier que tous les fils sont raccordés.
2. La hotte fonctionne, mais l'air circule plus lentement que la normale.	2. Obstruction dans les conduits d'évacuation.	2. Vérifier pour quelque obstruction dans les conduits incluant le filtre.
3. La hotte produit un son de crécelle.	3a. Le moteur est lâche. 3b. Le raccord des conduits est lâche.	3a. Couper l'alimentation de l'unité. Retirer le filtre, vérifier que toutes les vis sont serrées complètement. 3b. Couper l'alimentation de l'unité. Vérifier que tous les raccords des conduits sont bien serrés.

Installateur : _____ Date d'installation : _____

Lieu de l'achat : _____ Numéro de modèle : _____

GARANTIE LIMITÉE

QUE COUVRE CETTE GARANTIE : Ce produit est garanti contre tout vice de fabrication ou de matière.

COMBIEN DE TEMPS CETTE GARANTIE DURE : Cette garantie se rapporte seulement à l'acheteur original du produit et dure pendant cinq (5) années de la date de l'achat original ou jusqu'à ce que l'acheteur original du produit vend ou transfère le produit, celui qui se produit en premier.

QUE FERA AIR KING : Au cours de la période de garantie, Air King, à son choix, réparera ou remplacera n'importe quelle partie ou pièces qui s'avèrent défectueuses ou remplacera le produit entier par le même modèle ou un modèle comparable.

CE QUE CETTE GARANTIE NE COUVRE PAS : Cette garantie ne s'applique pas si le produit était endommagé ou arrête de fonctionner en raison d'un accident, d'une mauvaise manipulation, l'installation ou opération, de dommages d'expédition, d'abus, de mauvaise utilisation, de réparation faite ou tentées non autorisées. Cette garantie ne couvre pas les coûts d'expédition pour le retour des produits à Air King pour la réparation ou le remplacement. Air King payera les frais d'expédition de retour de Air King après les réparations ou le remplacement de garantie.

TOUTES LES GARANTIES, EXPRESSES OU TACITES (COMPRENANT, SANS LIMITATION, TOUTE GARANTIE TACITE DE VALEUR MARCHANDE), DURENT UN AN DE LA DATE DE L'ACHAT ORIGINAL OU JUSQU'À CE QUE L'ACHETEUR ORIGINAL DU PRODUIT VEND OU TRANSFÈRE LE PRODUIT, CELUI QUI SE PRODUIT EN PREMIER ET DANS AUCUN CAS AIR KING N'ASSUME AUCUNE RESPONSABILITÉ EXPRESSE OU TACITE POUR (I) DES DOMMAGES ACCIDENTELS OU INDIRECTS DE N'IMPORTE QUELLE CAUSE, OU (II) LE REMPLACEMENT OU LA RÉPARATION DE TOUS FUSIBLES, DISJONCTEURS OU RÉCEPTACLES DE MAISON. MALGRÉ N'IMPORTE QUOI À L'EFFET CONTRAIRE, DANS AUCUN CAS LA RESPONSABILITÉ D'AIR KING, SOUS UNE GARANTIE EXPRESSE OU TACITE, NE DÉPASSERA LE PRIX D'ACHAT DU PRODUIT ET UNE TELLE RESPONSABILITÉ SE TERMINERA AVEC L'EXPIRATION DE LA PÉRIODE DE GARANTIE.

Certains états et provinces ne permettent pas les limitations de la période de garantie, ou l'exclusion ou la restriction des dommages accidentels ou indirects, et, par conséquent, les présentes restrictions ne peuvent pas s'appliquer. La présente garantie vous donne des droits légaux spécifiques et peut-être certains autres droits qui peuvent varier selon la province. La preuve d'achat est exigée avant qu'une réclamation de garantie ne soit acceptée.

SERVICE À LA CLIENTÈLE :

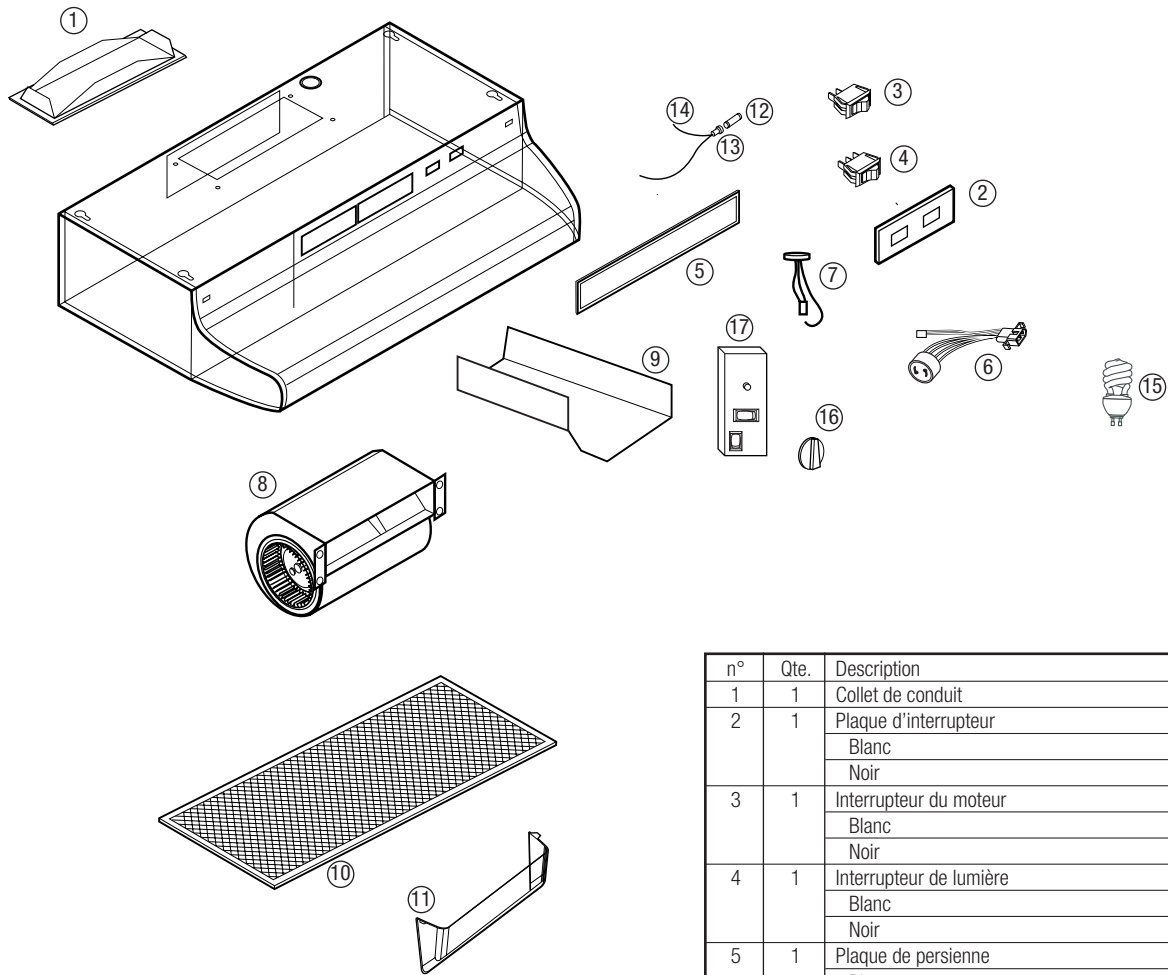
Sans frais (800) 465-7300

Notre équipe de service à la clientèle est disponible pour vous aider avec des questions sur le produit, les adresses des centres de service, et les pièces de rechange. Vous pouvez la rejoindre, du lundi au vendredi, de 8h:00 à 16h:00 HNE. Veuillez avoir le numéro du modèle disponible, ainsi que le genre et le style (qui se trouvent sur l'étiquette à l'intérieur de votre produit). Veuillez ne pas renvoyer le produit à l'endroit de l'achat.

www.airkinglimited.com

IL SE PEUT QUE LES PIÈCES POUR LES PRODUITS DISCONTINUÉS, OBSOLÈTES ET AUTRES PRODUITS NE SOIENT PAS DISPONIBLES. POUR DES RAISONS DE SÛRETÉ, BEAUCOUP DE COMPOSANTS ÉLECTRONIQUES ET LA PLUPART DES COMPOSANTS DES CHAUFFAGES NE SONT PAS À LA DISPOSITION DES CONSOMMATEURS POUR L'INSTALLATION OU LE REMPLACEMENT.

TABLEAU DES PIÈCES DE RECHANGE



n°	Qty.	Description	Pièces de rechange n°
1	1	Collet de conduit	5S1199080
2	1	Plaque d'interrupteur	
		Blanc	5S1421003
		Noir	5S1421006
3	1	Interrupteur du moteur	
		Blanc	5S1418003
		Noir	5S1418006
4	1	Interrupteur de lumière	
		Blanc	5S1418003
		Noir	5S1418006
5	1	Plaque de persienne	
		Blanc	5S1429003
		Noir	5S1429006
6	1	Assemblage de support de lampe GU24	5S1199701
7	1	Câble du condensateur	5S1145056
8	1	Assemblage de ventilateur	5S2144001
9	1	Couvercle du compartiment des fils	5S1144090
10	1	Filtre à graisses (GF-07)	5S1144524
11	1	Écran protecteur de lampe	5S1111053
12	1	Fusible	5S1111054
13	1	Socle à Fusible	5S1199205
14	1	Fil conducteur interne	5S1111055
15	1	Lampe de 26 watts GU24	5S9999010
16	1	Bouton	5S1420004
17	1	Ensemble de réglage de la vitesse	5S1144090