

# AGELESS IRON™

## Installation Instructions For Rosettes, Short Plates & Long Plates

Passage, Privacy and Dummy

With step-by-step Installation Pictograms & Drilling Template



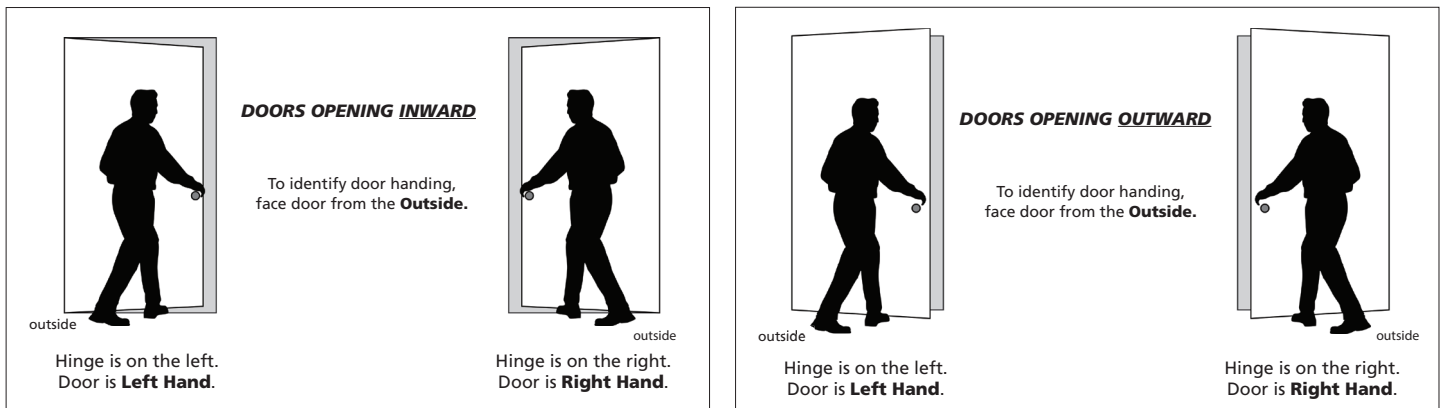
**Tools Required: #2 Phillips Screwdriver (Not power tools)**

### Door Handing - Rosettes, Short Plates and Long Plates

Door handing is critical for Split-Finish, or Split-Design products. It's also used to determine where the Interior and Exterior halves of the lockset are located on the door. And, it's used to position the latch tongue in relation to the strike plate.

**Inside of Door** - The **Inside** of a door refers to the side of the door that faces the room. For example, for a bedroom door on a hallway, the **Inside** of the door would face the bedroom.

**Outside of Door** - The **Outside** of a door refers to the side of the door that faces away from the room. The **Outside** of a door is generally more visible to visitors, and therefore a rosette on this side of the door has no visible screws. For example, on a bedroom door, the **Outside** would face the hallway.

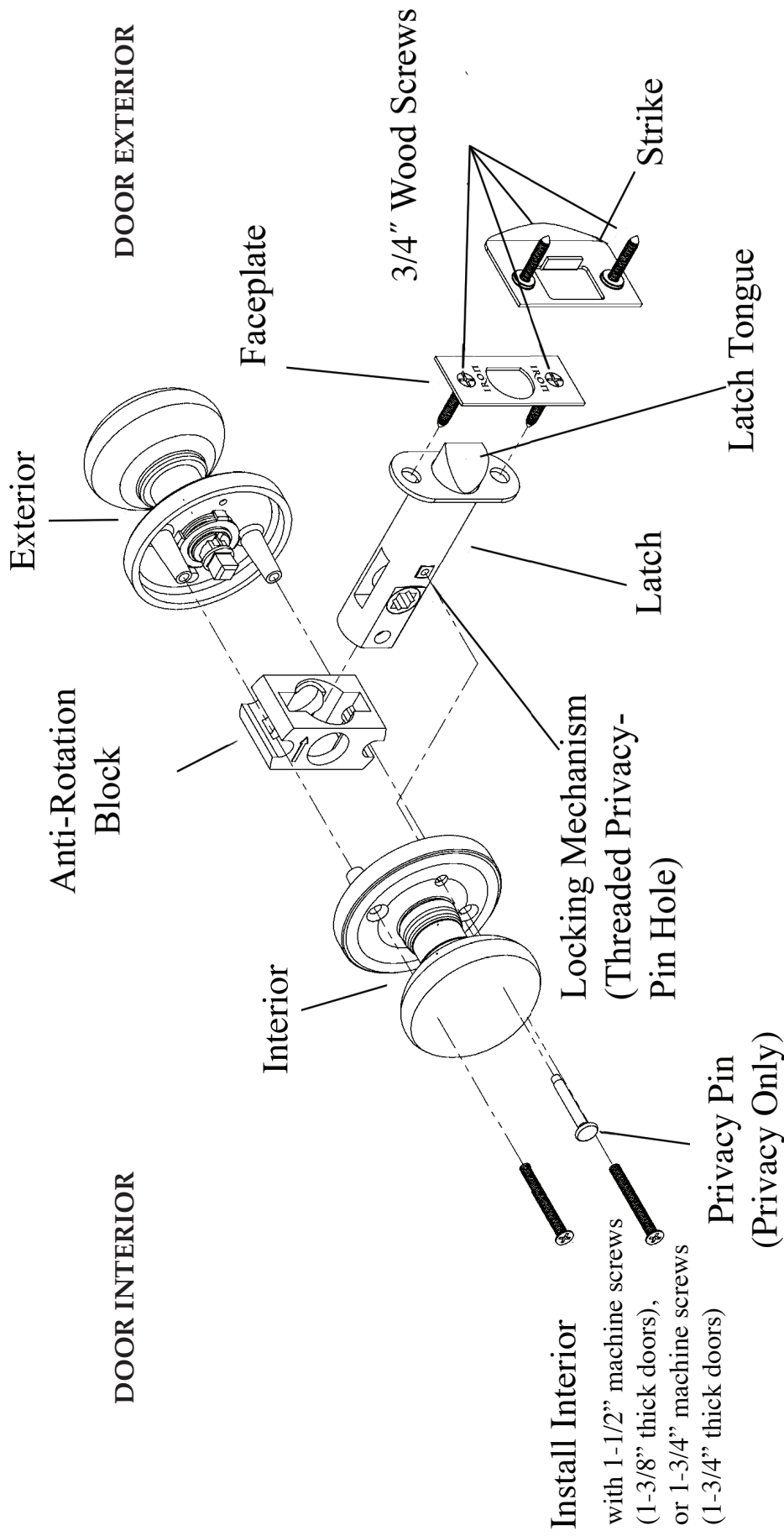


### INSTALLATION RULES:

- 1) Lockset machine mounting screws are inserted from the inside.
- 2) Privacy pin holes are next to the door side containing the latch.
- 3) Latch tongues have a beveled side, and this side should contact the curved side of the face plate, and curved side of the strike plate.  
(See \*Latch Tongue Note on page 3.)



# EXPLODED DRAWING FOR ROSETTE, SHORT PLATE AND LONG PLATE PASSAGE AND PRIVACY FUNCTIONS



Watch video

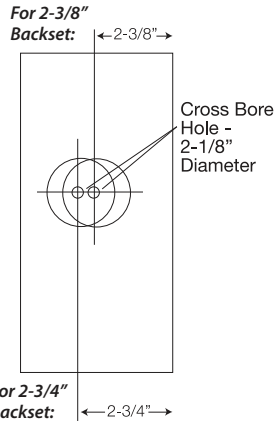
**AGELESS IRON™**

For assistance call 1-800-522-7336  
Monday through Friday,  
7 am to 4 pm Mountain Time  
or visit  
[www.AgelessIronHardware.com](http://www.AgelessIronHardware.com)

**Tools Required: #2 Phillips Screwdriver (Not power tools)**

**A**

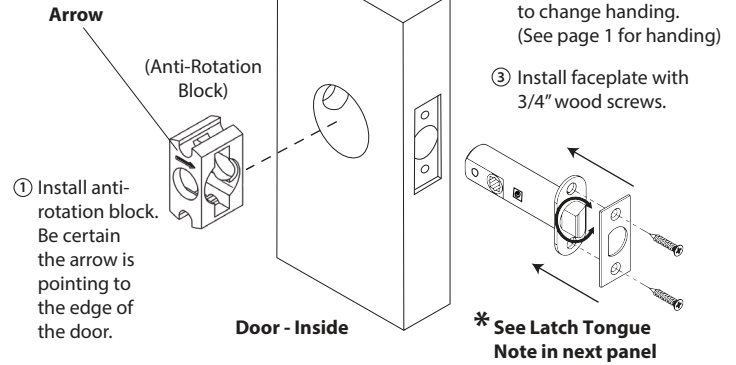
### Backset Information



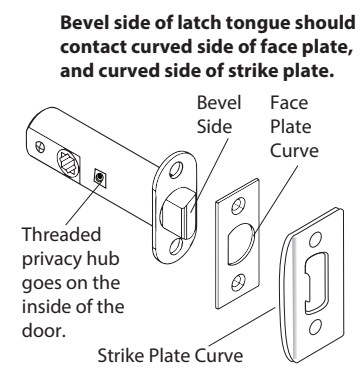
**NOTE:**  
DRILLING  
TEMPLATES  
ON  
SEPARATE  
INCLUDED  
SHEET

**B**

### Install Latch

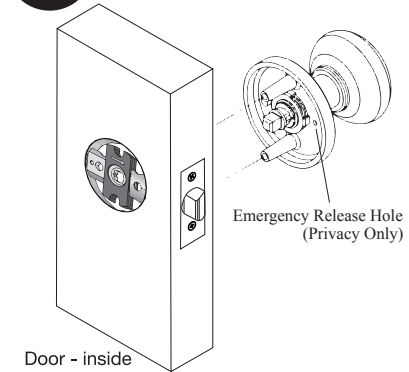


### \* Latch Tongue Note



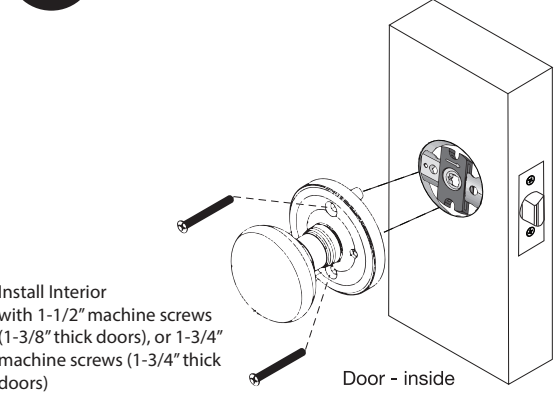
**C**

### Install Exterior Half of Lockset



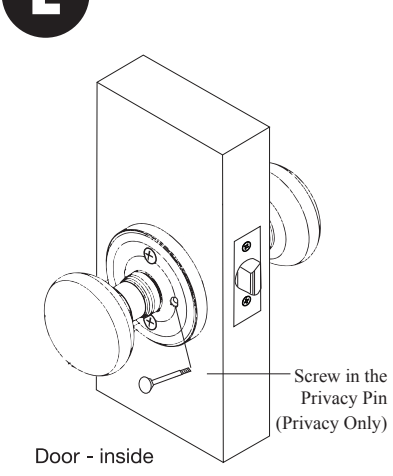
**D**

### Install Interior Half of Lockset



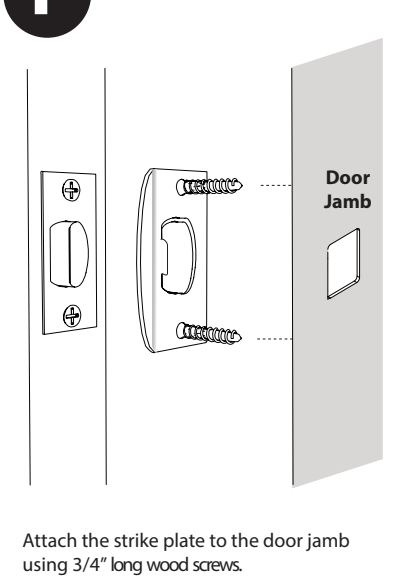
**E**

### Install Privacy Pin



**F**

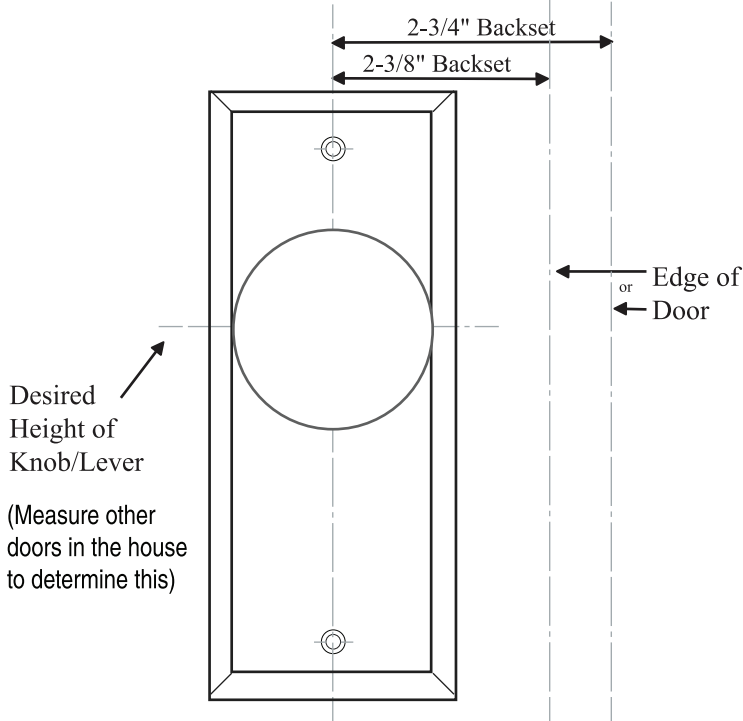
### Install Strike Plate



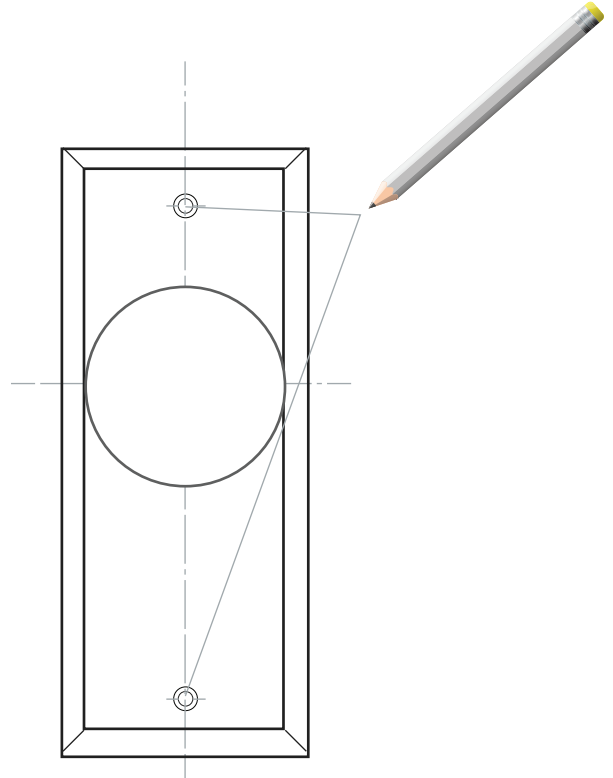
Watch video

Note: Diagrams depicted on this page are not to scale

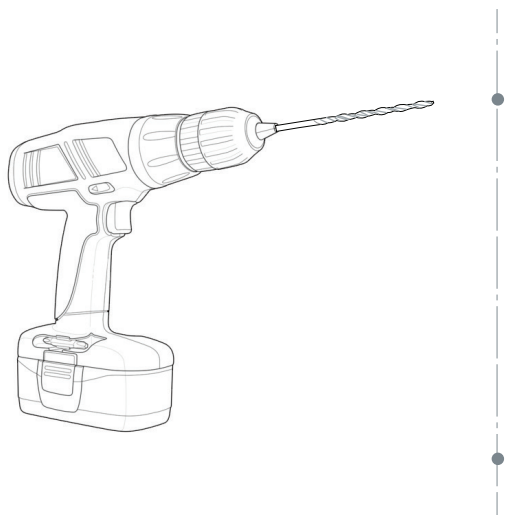
**A** Determine backset (distance between edge of door and center of rosette.) Check other doors in the house to determine backset.



**B** Mark the holes



**C** Using a 7/64" drill bit, drill the screw holes at least 3/4" deep.



**D** Insert the mounting screws and tighten until snug. **DO NOT USE POWER TOOLS TO TIGHTEN THE SCREWS!**

