

Use / Install Guide
Guide Uso / d'installation
Guía de d'utilisation / Instalación

French Door Bottom Freezer/Refrigerator
Refrigerador con congelador inferior de puerta doble
Réfrigérateur à portes françaises/Congélateur en bas

AMLFDR23D / AMPROFD23D / HCFDR23D / MMCFDR23D / MELFDR23D

Finding Information

Please read and save this guide

We hope you will enjoy and appreciate the care and attention we have put into every detail of your new, state-of-the-art refrigerator.

Your appliance is designed to offer years of reliable service. This Use and Care Guide will provide you with the information you need to become familiar with your refrigerator's care and operation.

We appreciate your choice of our refrigerator and hope that you will again select our products for your other major appliance needs.

NOTE

Registering your product with Marvel enhances our ability to serve you. You can register online at www.marvelrefrigeration.com or by sending your Product Registration Card in the mail.

Questions?

Your complete satisfaction is our ultimate goal. If you have any questions or comments about this product, please contact the dealer from whom you purchased it, or contact our Consumer Support Center at 1-800-223-3900.

For online support and product information visit www.marvelrefrigeration.com.

Table of contents

Finding Information	2
Safety	3
Feature Overview	5
Installation	6
Removing the Doors	9
Installing the Door Handles.....	11
Connecting the Water Supply	12
Controls	13
Automatic Ice Maker	15
Storage Features	16
Storing Food and Saving Energy.....	20
Normal Operating Sounds & Sights	21
Changing the Water and Air Filters.....	22
Care and Cleaning.....	24
Solutions to Common Problems.....	26
Service Information	29
Warranty.....	30

Installation Checklist

Doors

- Handles are secure and tight
- Door seals completely to cabinet on all sides

Leveling

- Refrigerator is level, side-to-side and tilted ¼" (6 mm) front-to-back
- Toe grille is properly attached to refrigerator
- Cabinet is sitting solid on all corners

Electrical Power

- House power turned on
- Refrigerator plugged in

Ice Maker

- House water supply connected to refrigerator
- No water leaks present at all connections - recheck in 24 hours
- Ice maker is turned ON
- Front filter must be flush with filter housing (select models)

Final Checks

- Shipping material removed
- Fresh food and freezer temperatures set
- Crisper humidity controls set
- Registration card sent in


Safety

Important safety instructions

Safety Precautions

Do not attempt to install or operate your unit until you have read the safety precautions in this manual. Safety items throughout this manual are labeled with a Danger, Warning, or Caution based on the risk type.

Definitions

 This is the safety alert symbol. It is used to alert you to potential personal injury hazards. Obey all safety messages that follow this symbol to avoid possible injury or death.

DANGER

DANGER indicates an imminently hazardous situation which, if not avoided, will result in death or serious injury.

WARNING

WARNING indicates a potentially hazardous situation which, if not avoided, could result in death or serious injury.

CAUTION

CAUTION indicates a potentially hazardous situation which, if not avoided, may result in minor or moderate injury.

IMPORTANT

Indicates installation, operation, or maintenance information which is important but not hazard-related.

WARNING

Please read all safety instructions before using your new refrigerator.

General Safety

- Do not store or use gasoline or other flammable liquids near this or any other appliance. Read product labels for warnings regarding flammability and other hazards.
- Do not operate the refrigerator in the presence of explosive fumes.

Your door handles may be different from those shown in the images throughout this guide.

- Avoid contact with any moving parts of the automatic ice maker.
- Remove all staples from the carton to avoid injury. Staples can also damage finishes if they come in contact with other appliances or furniture.

Child Safety

Packing Materials:

- Packing cartons covered with rugs, bedspreads, plastic sheets, or stretch wrap may become airtight chambers and can quickly cause suffocation.
- Destroy or recycle the product's carton, plastic bags, and any other exterior wrapping material immediately after the refrigerator is unpacked. Children should never play with these items.

Child Entrapment and Suffocation:

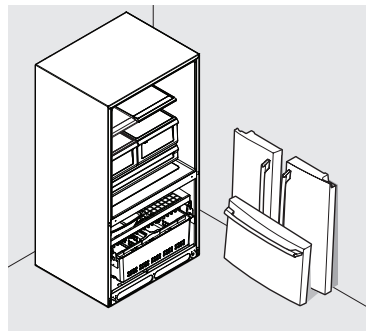
- These problems are not limited to the past. Whether junked, abandoned, or temporarily stored (even for a few hours), unattended refrigerators and freezers are dangerous. Please take the precautions listed below.

Proper Disposal of Refrigerators/Freezers

We strongly encourage responsible appliance recycling/disposal methods. Check with your utility company or visit www.energystar.gov/recycle for more information on recycling your old refrigerator.

Before you recycle or dispose of your old refrigerator/freezer:

- Remove the doors.
- Leave the shelves and baskets in place so children may not easily climb inside.
- Have refrigerant and compressor oil removed by a qualified service technician.



Safety

➔ IMPORTANT

CFC/HCFC DISPOSAL

Your old refrigerator may have a cooling system that used CFCs or HCFCs (chlorofluorocarbons or hydrochlorofluorocarbons). CFCs and HCFCs are believed to harm stratospheric ozone if released to the atmosphere. Other refrigerants may also cause harm to the environment if released to the atmosphere.

If you are throwing away your old refrigerator, make sure the refrigerant is removed for proper disposal by a qualified technician. If you intentionally release refrigerant, you may be subject to fines and imprisonment under provisions of environmental legislation.

Electrical information

⚠ WARNING

You must follow these guidelines to ensure that your refrigerator's safety mechanisms are operating correctly.

- The refrigerator must be plugged into its own dedicated 115 Volt, 60 Hz, AC-only non-GFCI electric outlet. The power cord of the appliance is equipped with a three-prong grounding plug for your protection against electrical shock hazards. It must be plugged directly into a properly grounded three-prong receptacle. The receptacle must be installed in accordance with local codes and ordinances. Consult a qualified electrician. Do not use an extension cord or adapter plug.
- If the power cord is damaged, it should be replaced by the manufacturer, service technician, or a qualified person.
- Never unplug the refrigerator by pulling on the power cord. Always grip the plug firmly and pull straight out from the receptacle to prevent damaging the power cord.
- To avoid electrical shock, unplug the refrigerator before cleaning and before replacing a light bulb or LED light.
- Performance may be affected if the voltage varies by 10% or more. Operating the refrigerator with insufficient power can damage the compressor. Such damage is not covered under your warranty.
- Do not plug the unit into an outlet controlled by a wall switch or pull cord to prevent the refrigerator from being turned off accidentally.

Grounding type wall receptacle



Do not, under any circumstances, cut, remove, or bypass the grounding prong.

Power cord with 3-prong grounded plug

➔ IMPORTANT

To turn off power to your refrigerator, unplug the power cord from the wall outlet.

Feature Overview

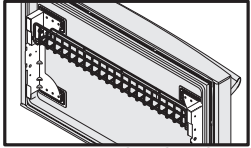
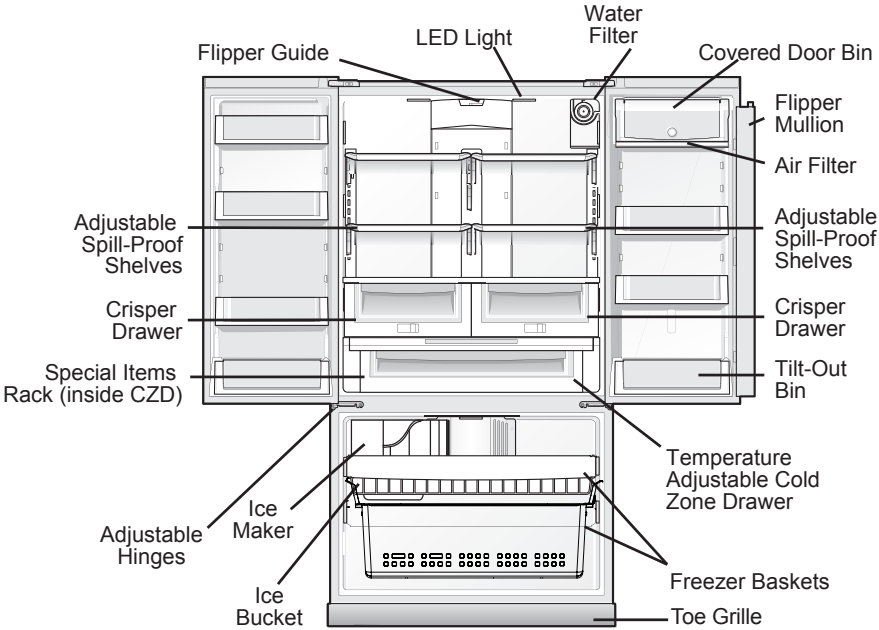
Understanding features and terms

Your refrigerator is designed for optimal convenience and storage flexibility. The illustration below is provided to assist you with familiarizing yourself with product features and terminology.



NOTE

Features may vary according to model. Model is shown without freezer drawer cover.

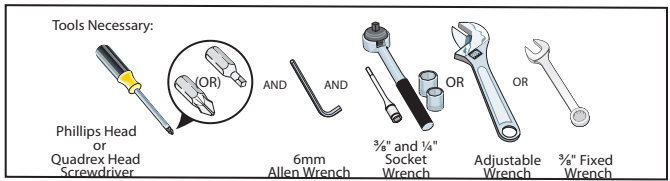
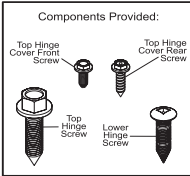


Wire Tilt-Out Shelf (inside freezer drawer)

Installation

Required Tools

You will need the following tools:



This Use & Care Guide provides general installation and operating instructions for your model. We recommend using a service or kitchen contracting professional to install your refrigerator. Use the refrigerator only as instructed in this Use & Care Guide. Before starting the refrigerator, follow these important first steps.

Location

- Choose a place that is near a grounded, non-GFCI, electrical outlet. Do Not use an extension cord or an adapter plug.
- If possible, place the refrigerator out of direct sunlight and away from the range, dishwasher, or other heat sources.
- The refrigerator must be installed on a floor that is level and strong enough to support a fully loaded refrigerator.
- Consider water supply availability for models equipped with an automatic ice maker.

Installation

- Allow the following clearances for ease of installation, proper air circulation, and plumbing and electrical connections:

Sides & Top	3/8 inch (9.5 mm)
Back	1 inch (25.4 mm)

CAUTION

DO NOT install the refrigerator where the temperature will drop below 55°F (13°C) or rise above 110°F (43°C). The compressor will not be able to maintain proper temperatures inside the refrigerator.

DO NOT block the toe grille on the lower front of your refrigerator. Sufficient air circulation is essential for the proper operation of your refrigerator.

Door opening

NOTE

If your refrigerator is placed with the door hinge against a wall, you may have to allow additional space so the door can be opened wider.

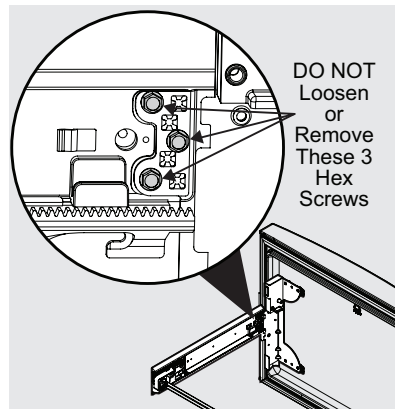
NOTE

The refrigerator doors are designed to shut by themselves within a 20 degree opening.

Your refrigerator should be positioned to allow easy access to a counter when removing food. For best use of refrigerator drawers and freezer baskets, the refrigerator should be in a position where both can be fully opened.

CAUTION

Do Not loosen or remove these (3) hex head screws.



Installation *Your door handles may be different from those shown in the images throughout this guide.*

Level Refrigerator & Adjust Doors (if necessary)

Guidelines for final positioning of your refrigerator:

- All four corners of the cabinet must rest firmly on the floor.
- The sides should tilt $\frac{1}{4}$ inch (6 mm) from front to back (to ensure that doors close and seal properly).
- Doors should align with each other and be level.

Most of these conditions can be met by raising or lowering the adjustable front rollers.

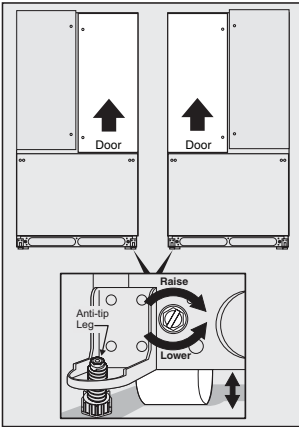
To level the cabinet using the front rollers:

1. Slightly open freezer drawer if the toe grille is installed. Lift the toe grille and gently pull forward.
2. Make initial cabinet adjustments by using the front roller height adjusting screws. Use a $\frac{3}{8}$ inch socket wrench to turn the adjustment screws (1 per side).

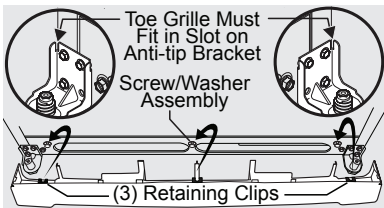
To raise: turn adjustment screw clockwise.

To lower: turn adjustment screw counterclockwise.

3. Ensure both doors are bind-free with their seals touching the cabinet on all four sides and that cabinet is stable.
4. After unit is leveled, lower anti-tip leg using a $\frac{3}{8}$ inch socket wrench until it firmly contacts the floor.

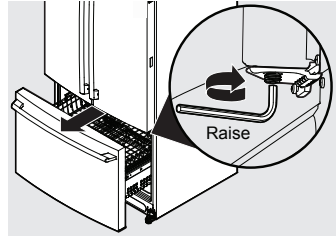


5. Install the toe grille by fitting into place.



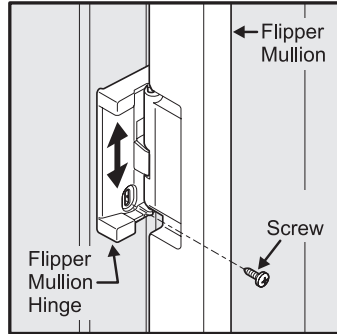
To make final door height adjustments:

1. Open freezer drawer to make lower hinge visible.
2. Insert 6mm Allen wrench into the shaft of the lower hinge.
3. Adjust the height by turning clockwise or counterclockwise. Turning clockwise will lower the door. Turning counterclockwise will raise the door. Default setting is to the lowest height when you receive your appliance



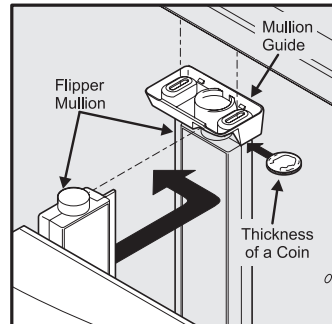
To adjust the flipper mullion:

1. Loosen the screw located on the flipper mullion hinge.



Adjusting Flipper Mullion Screw

2. Adjust flipper mullion height. For proper connection with the flipper mullion guide, there should be a separation about the thickness of a coin (0.060 inches, or 1.5 mm) between the guide and flipper mullion.



Adjusting Flipper Mullion Height

3. Re-tighten screw.

Installation

Shelf features (Select Models)

CAUTION

Shelves must be removed prior to moving the refrigerator.

CAUTION

To avoid injury from breakage, handle tempered glass shelves carefully.

NOTE

Features may vary according to model.

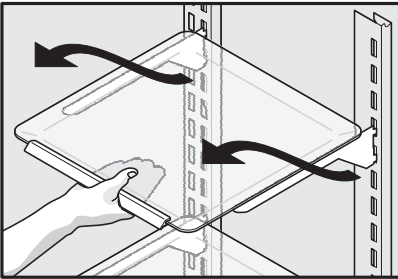
Your refrigerator includes glass shelves that are designed to catch and hold accidental spills.

You can easily adjust shelf positions in the fresh food compartments to suit your needs. The shelves have mounting brackets that attach to slotted supports at the rear of each compartment.

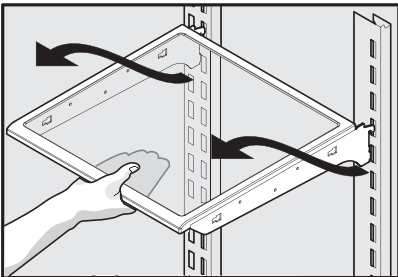
To change the position of a shelf:

1. Before adjusting a shelf, remove all food.
2. Lift the front edge up and pull the shelf out.
3. Replace by inserting the mounting bracket hooks into the desired support slots.
4. Lower the shelf and lock into position.

Full Custom-Design™ Shelf

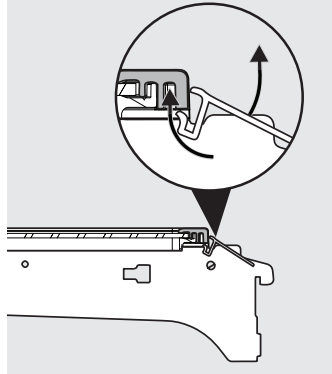


or



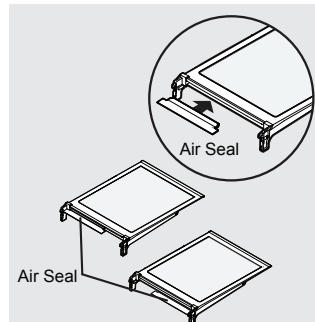
Reposition the Air Seal (Slide-out Shelves)

1. Remove air seal by pushing down on the flap with a downward rotation.
2. Position the air seal towards the outside end of the shelf to avoid the air tower when shelf is pushed back into place.
3. Install seal by sliding lower tab of seal up into bottom rear slot of shelf with seal at a downward angle then pulling up on seal flap until seal sits snug on back of shelf and flap sits at about a 10 degree angle from shelf surface.



Reposition the Air Seal (Channel in rear)

1. Remove air seal by pushing seal straight back.
2. Position the air seal towards the outside edge of the shelf to avoid the air tower when shelf is pushed back into place.
3. Install seal by sliding the open channel end of the seal onto back edge of shelf until seal sits snug on back of shelf and flap sits at about a 10 degree angle from shelf surface.



Removing the Doors

Getting through narrow spaces

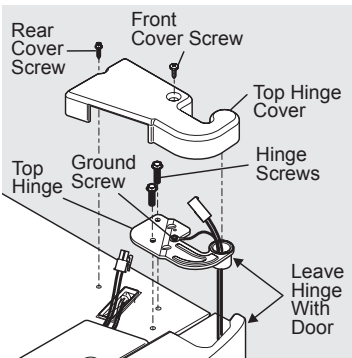
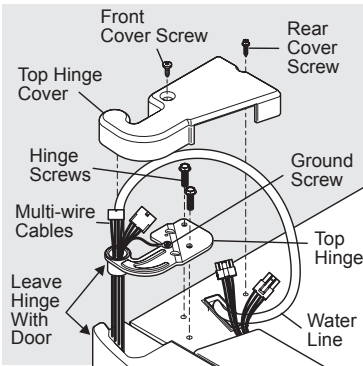
If your refrigerator will not fit through an entrance area, before installing the door handles, you can remove the doors. Check first by measuring the entrance.

To prepare for removing the doors:

1. Make sure the electrical power cord is unplugged from the wall outlet.
2. Open the freezer drawer and remove the toe grille (see "Installation" section).
3. Remove any food from the door shelves and close the doors.

To remove the top hinge covers:

1. Remove the two screws from each cover over the top door hinges.
2. Lift inside edge of hinge cover and tilt back.

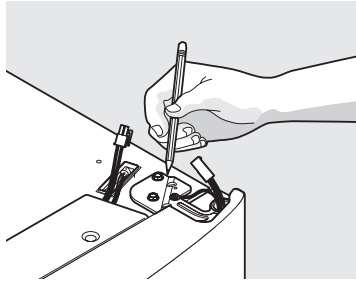


NOTE

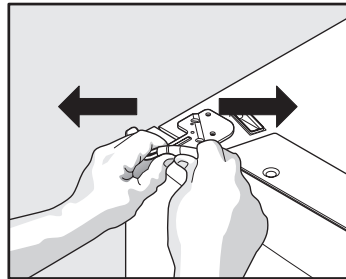
DO NOT remove the ground screw from hinge.

To remove the refrigerator doors:

1. Trace lightly around the door's top hinges with a pencil. This makes reinstallation easier.



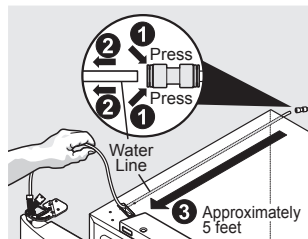
2. Disconnect the harness by grasping both sides of the connector firmly, depress the latch, and pull apart. Remove the two screws from the top hinge. Lift the door off of the bottom hinge and set it aside.



3. Detach the water tube from the connector located behind the refrigerator and pull the tube back out to the front of the unit. The connector releases when you press inward on the outer sleeve while pushing the tube toward the connector then while continuing to hold in the sleeve, pull the tube away.

NOTE

Use care while pulling the water tube from the unit to be sure that you do not kink the tube.

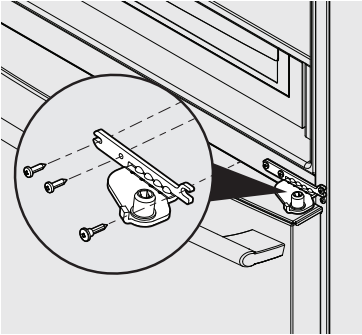


NOTE

You will be pulling approximately five feet of water tube from the back of the refrigerator.

Removing the Doors

4. Unscrew the three lower hinge screws and slide the hinge inwards.

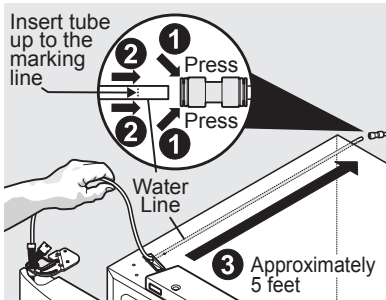


Lower Hinge Removal

To reinstall the refrigerator doors:
Reverse the above steps.

NOTE

Upon replacement, the tube needs to be fully inserted up the marking line.



NOTE

When reinserting the water tube and replacing the top hinge cover, be sure that you do not kink the tube.

Once both doors are in place, ensure they are aligned with each other and level (Please see the Installation section for more details), and replace the top hinge cover.

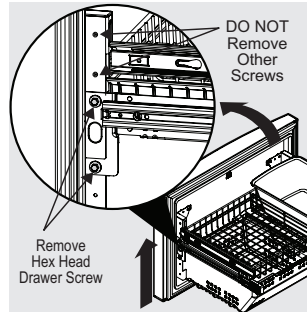
Removal and Installation of lower Freezer Drawer

CAUTION

Drawer is heavy. Use caution when lifting

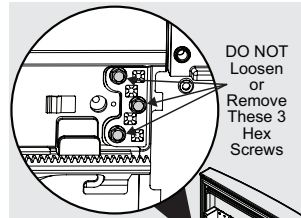
Removing Freezer Drawer:

1. Remove (4) hex head drawer screws.
2. Lift up drawer to remove.



Replacing Freezer Drawer:

1. Lower drawer back into place.
2. Replace (4) hex head drawer screws and tighten.



Connecting the Water Supply

WARNING

To avoid electric shock, which can cause death or severe personal injury, disconnect the refrigerator from electrical power before connecting a water supply line to the refrigerator.

CAUTION

To Avoid Property Damage:

- Copper or Stainless Steel braided tubing is recommended for the water supply line. Water supply tubing made of ¼ inch plastic is not recommended to be used. Plastic tubing greatly increases the potential for water leaks, and the manufacturer will not be responsible for any damage if plastic tubing is used for the supply line.
- DO NOT install water supply tubing in areas where temperatures fall below freezing.
- Chemicals from a malfunctioning softener can damage the ice maker. If the ice maker is connected to soft water, ensure that the softener is maintained and working properly.

IMPORTANT

Ensure that your water supply line connections comply with all local plumbing codes.

Before Installing The Water Supply Line, You Will Need:

- Basic Tools: adjustable wrench, flat-blade screwdriver, and Phillips™ screwdriver
- Access to a household cold water line with water pressure between 30 and 100 psi.
- A water supply line made of ¼ inch (6.4 mm) OD, copper or stainless steel tubing. To determine the length of tubing needed, measure the distance from the ice maker inlet valve at the back of the refrigerator to your cold water pipe. Then add approximately 7 feet (2.1 meters), so the refrigerator can be moved out for cleaning (as shown).
- A shutoff valve to connect the water supply line to your household water system. DO NOT use a self-piercing type shutoff valve.
- Do not reuse compression fitting or use thread seal tape.
- A compression nut and ferrule (sleeve) for connecting a copper water supply line to the ice maker inlet valve.

NOTE

Check with your local building authority for recommendations on water lines and associated materials prior to installing your new refrigerator. For homes with existing shut-off valves a braided stainless steel water line is recommended, and for homes without an existing valve a copper water line with self-tapping saddle valve is recommended. Please refer to www.marvelrefrigeration.com for more information.

To Connect Water Supply Line To Ice Maker Inlet Valve

1. Disconnect refrigerator from electric power source.
2. Place end of water supply line into sink or bucket. Turn ON water supply and flush supply line until water is clear. Turn OFF water supply at shutoff valve.
3. Remove plastic cap from water valve inlet and discard cap.
4. **If you use copper tubing** - Slide brass compression nut, then ferrule (sleeve) onto water supply line. Push water supply line into water valve inlet as far as it will go (¼ inch / 6.4 mm). Slide ferrule (sleeve) into valve inlet and finger tighten compression nut onto valve. Tighten another half turn with a wrench; DO NOT over tighten. See Figure 1.

If you use braided flexible stainless steel tubing - The nut and ferrule are already assembled on the tubing. Slide compression nut onto valve inlet and finger tighten compression nut onto valve. Tighten another half turn with a wrench; DO NOT over tighten. See Figure 2.

5. With steel clamp and screw, secure water supply line (copper tubing only) to rear panel of refrigerator as shown.
6. Coil excess water supply line (copper tubing only), about 2½ turns, behind refrigerator as shown and arrange coils so they do not vibrate or wear against any other surface.
7. Turn ON water supply at shutoff valve and tighten any connections that leak.
8. Reconnect refrigerator to electrical power source.
9. To turn ice maker on, lower wire signal arm (freezer ice maker) or set the ice maker's On/Off power switch to the "On" position (fresh food ice maker).

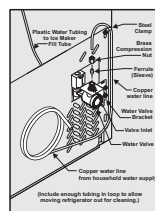


Figure 1

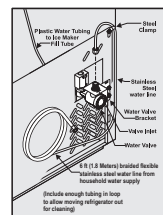


Figure 2

TruTouch Controls



An indicator light will be illuminated above most active features. Touch the icon to activate the options below.

- on off Press and hold for three seconds to turn off the cooling system to clean the refrigerator. It also turns off the ice maker. The temperature displays will read OFF.
- default settings Resets all refrigerator settings such as temp, temp display and tones to their factory default settings.
- Setting cooling temperatures Press the + or – indicator to adjust the temperature to the desired setting. The temperature display will begin to blink with the first touch. The display will time out after 10 seconds and return to the basic display.
- energy saver Keep this switch set on energy saver (light on) for lowest energy usage. If moisture appears on the cabinet between the doors, pressing this button will turn the light off and enable an electric heater used to reduce moisture on the cabinet between the doors.
- temp mode Touch to toggle display from Fahrenheit to Celsius.
- fast freeze Activates a faster rate for freezing food.
- fast ice Increases the production of ice.
- water filter Press and hold for three seconds to reset after filter change.
- air filter Filter condition status is always displayed when door is open. Press and hold for three seconds to reset after filter change.
- mute sounds Tones emitted by each key press can be turned off based on user preference. The sounds are muted when the red indicator is lit. Warning signals will stay active.

▶ IMPORTANT

Pressing the power on/off icon does not turn off power to your refrigerator. You must unplug the power cord from the wall outlet.

Alarms

Door Ajar If the door has been left open for an extended period of time, an alarm will sound and the door ajar indicator will display on the bottom display of the control panel. The alarm is turned off by closing the door. The mute sounds key will blink to prompt the reset of any active alarms. Press this key to reset any system alarms.

High Temp In the event of a high temperature condition, the temperature display will blink and display "HI". After 20 minutes, the alarm will sound and the high temp indicator will be red on the bottom of the control panel. The mute sounds icon will illuminate until pressed, acknowledging the alarm, at which time the highest temperature reached will be displayed and the refrigerator will resume normal operation. In case the high temp alarm is not acknowledged at the first alarm sound time out, when the door is first opened, the alarm sound will be repeated.

Power Fail In the event of a power failure, the power fail alert will be displayed and the temperature display will blink until the mute sounds icon is pressed, acknowledging the alarm. Other modes may be turned off until the alarm is acknowledged. The power fail alert is turned off and the refrigerator will resume normal operation. The high temp alarm may also be illuminated until a safe operating range temperature has been reached.

TruTouch Controls

Sabbath Mode

The Sabbath Mode is a feature that disables portions of the refrigerator and its controls in accordance with observance of the weekly Sabbath and religious holidays within the Orthodox Jewish community.

Sabbath Mode is turned ON and OFF by pressing and holding the freezer temp “-” and the refrigerator temp “+” indicators for five seconds. The display shows “Sb” while in Sabbath mode.

In the Sabbath Mode, the High Temp alarm is active for health reasons. For example, if the door is left ajar the High Temp alarm is activated. The refrigerator will function normally once the door is closed, without any violation of the Sabbath/Holidays. The High Temp alarm is permitted when cabinet temperature is outside the safe zone for 20 minutes. The alarm silences itself after 10 minutes while the High Temp icon stays lit until the Sabbath mode is exited.

For further assistance, guidelines for proper usage and a complete list of models with the Sabbath feature, please visit the web at <https://www.star-k.org>.



NOTE

While in Sabbath Mode, neither the lights nor the control panel will work until Sabbath Mode is deactivated.

Refrigerator stays in Sabbath Mode after power failure recovery. It must be deactivated with the buttons on the control panel.

NOTE

During Sabbath Mode, the ice maker is turned off by main control board.

Sabbath Mode and the Temperature Adjustable Cold Zone Drawer

The Temperature Adjustable Cold Zone Drawer should be turned off for the Sabbath/Holidays. Before putting the refrigerator into the Sabbath mode, turn the Cold Zone drawer off by pressing the drawer on/off button. The display will show “OFF” and the drawer will turn off. Then enter the Sabbath mode function on the main refrigerator display. See the “TruTouch Sabbath Mode” section. When in Sabbath mode, the display will not illuminate and the drawer will remain off. The drawer can still be used as a non-temp controlled drawer in this mode. When the refrigerator is taken out of Sabbath mode, the Cold Zone drawer will have to be turned back on.

NOTE

If the **Temperature Adjustable Cold Zone Drawer** is not turned off prior to putting the unit into Sabbath Mode, it will continue to adjust itself to maintain the set point even if the display does not illuminate to show that it is still on.

NOTE

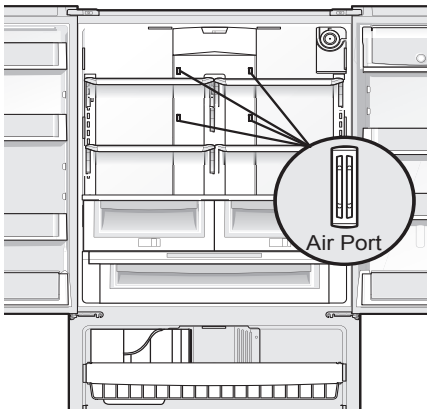
The recommended settings for a product installed in a kitchen is 37°F for the fresh food compartment and 0°F for the freezer.

IMPORTANT

If your product has food freezing in the fresh food compartment, increase the temperature setting 1 or 2 degrees.

IMPORTANT

If you place food within 1 inch in front of the air ports, there may be the chance of freezing food.



Automatic Ice Maker

Ice maker operation & care

After the refrigerator is installed properly, the ice maker can produce ice within 24 hours. It can completely fill an ice bin in about three days.

When using the ice maker for the first time and in order for the ice maker to work properly, it is necessary to clear air from water filter tubing. Once ice maker begins making ice, allow the bucket to fill completely, then discard the first TWO FULL buckets of ice. It will take at least two days to completely fill the bucket on regular ice making mode or 1½ days on fast ice mode.

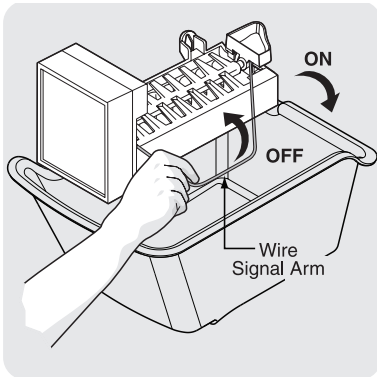
The ice maker produces approximately 2 to 2.5 lbs (0.9 to 1.1 kg) of ice every 24 hours depending on usage conditions. The ice bin will hold approximately 7 lbs (3.2 kg) of ice.

IMPORTANT

Your ice maker is turned on at the factory so it can work as soon as you install your refrigerator. If you cannot connect a water supply, lift the ice maker's wire signal arm to turn it off. Otherwise, the ice maker's fill valve may make a loud chattering noise when it attempts to operate without water.

Turning the ice maker on and off

Ice production is controlled by lifting/lowering the ice maker's wire signal arm. To gain access to the ice maker, pull the freezer drawer out. Lift the wire signal arm to turn the ice maker OFF and lower the wire signal arm to turn it ON.



Ice maker tips

- If your refrigerator is not connected to a water supply or the water supply is turned off, turn off the ice maker by lifting wire signal arm.
- The following sounds are normal when the ice maker is operating:

- Motor running
- Ice dropping into ice bin
- Water valve opening or closing
- Running water
- Ice cubes stored too long may develop an odd flavor. Empty the ice bin as explained below.

Fast Ice Function

Your refrigerator is equipped with a Fast Ice Function, that will, if activated at your user interface, allow an increase in ice production. You do not need to deactivate it, if not needed, your refrigerator will operate on normal conditions.

Cleaning the ice maker

Clean the ice maker and ice bin at regular intervals, especially prior to vacation or moving.

1. Turn off the ice maker.
2. Remove the ice bin.
3. Empty and carefully clean the ice bin with mild detergent. Do not use harsh or abrasive cleaners. Rinse with clean water.

CAUTION

If the water supply to your refrigerator is softened, be sure the softener is properly maintained. Chemicals from a water softener can damage the ice maker.

4. Allow the ice bin to dry completely before replacing in the freezer.
 5. Replace the ice bin. Turn the ice maker on.
- Remove and empty the ice bin if:

- An extended power failure (one hour or longer) causes ice cubes in the ice bin to melt and freeze together.

Remove the ice bin and shake to loosen the cubes or clean as explained above.

CAUTION

NEVER use an ice pick or similar sharp instrument to break up the ice. This could damage the ice bin.

To loosen stuck ice, use warm water. Before replacing the ice bin, make sure it is completely dry.

Storage Features

Shelf features

CAUTION

To avoid injury from breakage, handle tempered glass shelves carefully.

NOTE

Features may vary according to model.

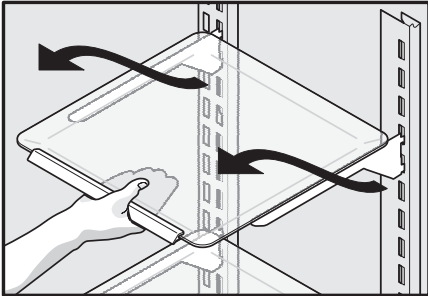
Your refrigerator includes glass shelves that are designed to catch and hold accidental spills.

You can easily adjust shelf positions in the fresh food compartments to suit your needs. The shelves have mounting brackets that attach to slotted supports at the rear of each compartment.

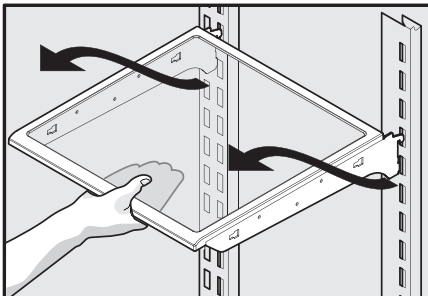
To change the position of a shelf:

1. Before adjusting a shelf, remove all food.
2. Lift the front edge up and pull the shelf out.
3. Replace by inserting the mounting bracket hooks into the desired support slots.
4. Lower the shelf and lock into position.

Full Custom-Design™ Shelf



or

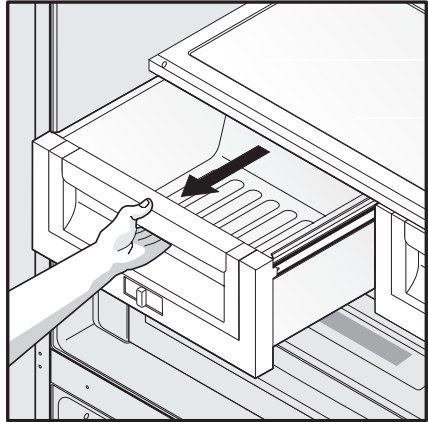


Drawers

Your refrigerator includes a variety of storage drawers. These drawers are located in fixed positions at the bottom of the fresh food compartment.

Crispers

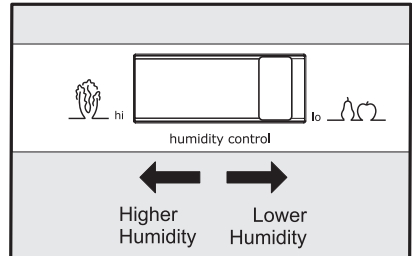
Crisper drawers are designed for storing fruits, vegetables, and other fresh produce.



Opening Crisper Drawer

Crisper humidity control

Crisper drawers include a sliding control for adjusting the humidity inside the crisper. Leafy vegetables keep best when stored with the Humidity Control set on Higher Humidity. Fresh fruits keep best when stored with the Humidity Control set on Lower Humidity.

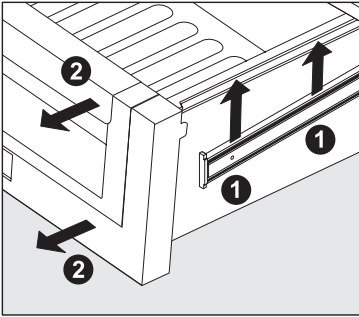


Adjusting Crisper Humidity

Storage Features

To remove the Crisper Drawer for cleaning:

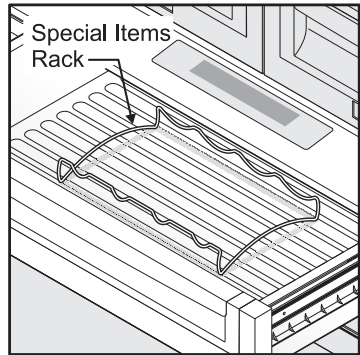
1. Pull the drawer out until it stops.
2. Lift the front slightly and remove the drawer.



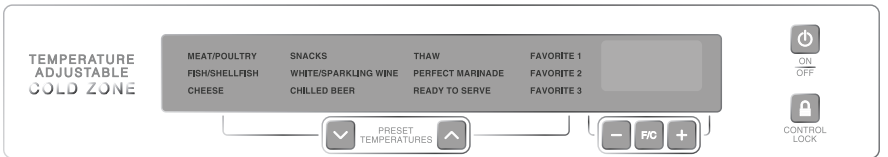
Removing Crisper Drawer

Special items rack

The innovative design of the special items rack allows you to store four bottles of wine or soft drink bottles.



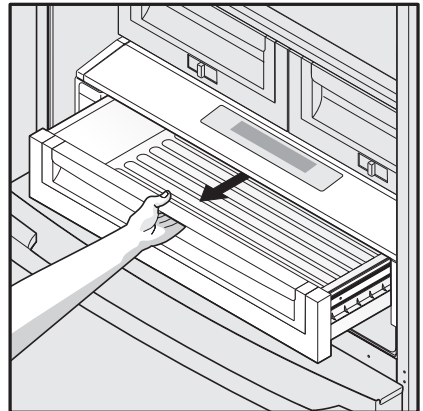
Temperature Adjustable Cold Zone Drawer



The Temperature Adjustable Cold Zone Drawer is designed to keep food items at a precise temperature whether cooler, warmer, or the same as the fresh food section of the refrigerator. The thaw setting holds a temperature for thawing frozen foods for 12 hours. At the end of that time, it then switches to the mixed items setting to store the thawed food.

To operate:

1. To turn on and off, press the drawer's **On/Off** button. The numeric display will show a temperature between **28°F and 38°F** when on and "OFF" when off.
2. Press F/C if you prefer to display Fahrenheit "F," or Celsius "C".
3. Press either the up ^ or down v scroll buttons to illuminate the desired item.
4. Once an option is selected, the drawer will adjust and maintain the temperature for the setting selected.
5. When turned off, the Cold Zone drawer functions as a standard meat pan. The Cold Zone drawer is best used for packaged food products. Leafy vegetables and unpackaged fruits are best kept in one of the crisper drawers.
6. The three favorite selections provide flexibility to set and store personal temperature selections. The temperature is adjusted up by pressing the + or – buttons. The drawer will store the selected temperature setting until it is changed.
7. The control buttons can be locked to prevent accidental changes by pressing the **control lock** button for three seconds. Deactivate by pressing for three seconds again.



Opening the Drawer

Storage Features



IMPORTANT

DO NOT clean the display area of the Custom Temp™ Drawer with abrasive or caustic cleaners. Wipe clean with a moist sponge.

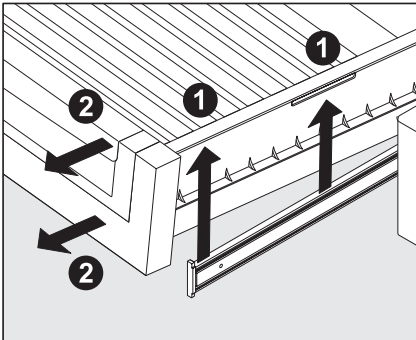


CAUTION

The Temperature Adjustable Cold Zone Drawer and cover can be removed for cleaning but the control unit, attached to the right side of the fridge, cannot be removed. Do not immerse the Cold Zone drawer cover in water or put it in a dishwasher. Clean with a damp cloth or sponge.

To remove the Temperature Adjustable Cold Zone Drawer for cleaning:

1. Pull the drawer out until it stops.
2. Lift the front slightly and remove the drawer.



Removing the Drawer



NOTE

When the refrigerator is turned off by pressing the main TruTouch Control on/off button, the Temperature Adjustable Cold Zone drawer will also be turned off. When the refrigerator is turned back on, the Cold Zone drawer will resume operations at the temp setting that was set before the refrigerator was turned off.

Doors

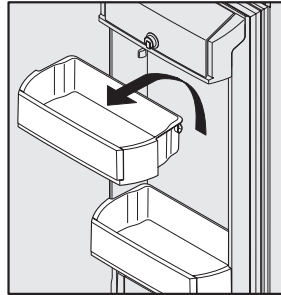
Storage bins

The doors to your fresh food compartment use a system of modular storage bins. All of these bins are removable for easy cleaning. Some of them have fixed positions, while others can be adjusted to your needs.

Door bins are ideal for storing jars, bottles, cans, and large drink containers. They also enable quick selection of frequently used items.

To change the position of an adjustable door bin:

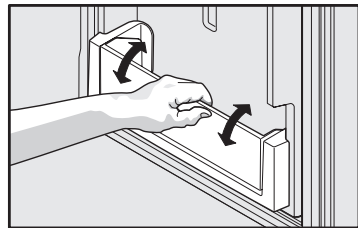
1. Before adjusting a bin, remove all food.
2. Grip the bin firmly with both hands and lift it upward.
3. Remove the bin.
4. Place the bin just above desired position.
5. Lower the bin onto supports until locked in place.



Adjustable Door Bin

Tilt can bins

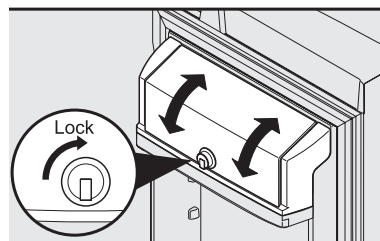
The can bins allow you to efficiently and securely store up to eight 12-ounce canned beverages.



Tilt Can Bin

Covered Door Bin

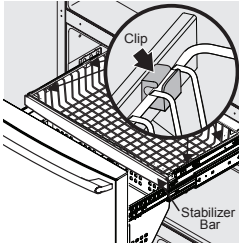
Use the covered door bin, at the top of the fresh food compartment door, for short-term storage of cheese, spreads, or butter. The covered door bin is designed to be warmer than the open area and includes a lift-up cover that may be locked and a dairy divider.



Covered Door Bin

Storage Features

Freezer Features



Freezer Baskets

To Remove Upper Freezer Basket

1. Find the side where the basket frame is aligned to the clip opening. The basket frame should be aligned to both front and rear clips on the same side (either left or right side).
2. If the basket frame is not aligned to the left or right side, push the basket sideways (to either side) until it is aligned.
3. By grabbing the basket wire frame close to the frontal clip, pull up to take the basket frame out.
4. Grab the basket frame close to the rear clip and pull up until it comes out of the clip.
5. Once one side of the basket is off the clips or retainers, slide the basket sideways until the other side of the frame is aligned with the clip openings on the opposite side of the freezer.
6. In the same way, pull up the basket frame from the frontal and rear clips until it is out of the clips.
7. Remove the basket.

Reverse the steps to reinstall the basket.

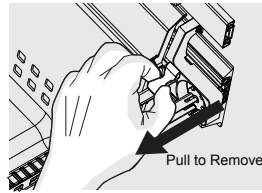
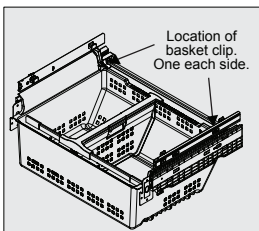


NOTE

If basket is not resting on stabilizer bar retainer clips, the drawer will not close properly.

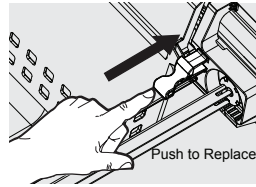
Removing Lower Freezer Basket Instructions

1. Locate the basket clips in the rear corners of the basket and pull them out to remove.
2. Open fresh food doors completely.
3. Lift the basket up and remove.



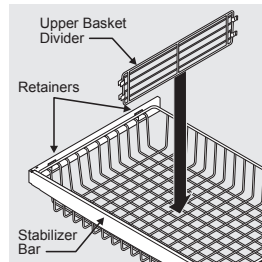
Replacing Lower Freezer Basket Instructions

1. Place freezer basket back inside the freezer drawer.
2. Replace clips by sliding them back into the slots.

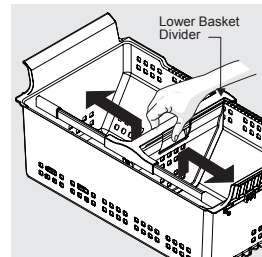


Dividers Removal

Lift up on the front of the upper divider and pull out.



Squeeze handle and lift up in the center of the divider to move it side-to-side. (The divider cannot be removed.)



Tilt Wire Shelf

The freezer tilt wire shelf (located on the inside of the freezer drawer) is not designed to be removed.

Storing Food and Saving Energy

Ideas for storing foods

Fresh food storage

- Keep the fresh food compartment between 34°F and 40°F with an optimum temperature of 37°F.
- Avoid overcrowding the refrigerator shelves, which reduces air circulation and causes uneven cooling.

Fruits and vegetables

- Store fruits and vegetables in crisper drawers, where trapped moisture helps preserve food quality for longer time periods.
- Wash items and remove excess water.
- Wrap any items that have strong odors or high moisture content.

Meat

- Wrap raw meat and poultry separately and securely to prevent leaks and contamination of other foods or surfaces.
- Use the Temperature Adjustable Cold Zone drawer and set to meat/poultry setting for short-term storage. Any meat to be kept longer than two days should be frozen.

Frozen food storage

- Keep the freezer compartment at 0°F or lower.
- A freezer operates most efficiently when it is at least $\frac{2}{3}$ full.

Packaging foods for freezing

- To minimize food dehydration and quality deterioration, use aluminum foil, freezer wrap, freezer bags, or airtight containers. Force as much air out of the packages as possible and seal them tightly. Trapped air can cause food to dry out, change color, and develop an off-flavor (freezer burn).
- Wrap fresh meats and poultry with suitable freezer wrap prior to freezing.
- Do not refreeze meat that has completely thawed.

Loading the freezer

- Prior to grocery shopping, activate "fast freeze" so that on your return you can ensure your newly purchased food designated for the freezer will be preserved as quickly as possible.
- Activating "fast freeze" also will help your freezer more efficiently maintain the selected temperature after placing new purchases with pre-existing frozen foods.

- Avoid adding too much warm food to the freezer at one time. This overloads the freezer, slows the rate of freezing, and can raise the temperature of frozen foods.
- Leave a space between packages, so cold air can circulate freely, allowing food to freeze as quickly as possible.

Ideas for saving energy

Installation

- Locate the refrigerator in the coolest part of the room, out of direct sunlight, and away from heating ducts or registers.
- Do not place the refrigerator next to heat-producing appliances such as a range, oven, or dishwasher. If this is not possible, a section of cabinetry or an added layer of insulation between the two appliances will help the refrigerator operate more efficiently.
- Level the refrigerator so that the doors close tightly.

Temperature settings

- Refer to the "Controls" section for procedures on temperature settings.

Food storage

- Avoid overcrowding the refrigerator or blocking cold air vents. Doing so causes the refrigerator to run longer and use more energy.
- Cover foods and wipe containers dry before placing them in the refrigerator. This cuts down on moisture build-up inside the unit.
- Organize the refrigerator to reduce door openings. Remove as many items as needed at one time and close the door as soon as possible.
- Do not place a hot container directly on a cold shelf. Remember, such an extreme temperature change may damage the glass.

Normal Operating Sounds

Understanding the sounds you may hear

Your new, high-efficiency refrigerator may introduce unfamiliar sounds. These sounds normally indicate your refrigerator is operating correctly. Some surfaces on floors, walls, and kitchen cabinets may make these sounds more noticeable.

The following is a list of major components in your refrigerator and the sounds they can cause:

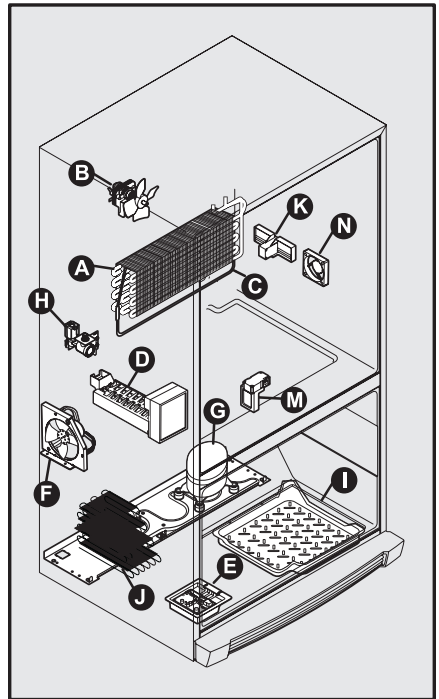
- A Evaporator Refrigerant through the evaporator may create a boiling or gurgling sound.
- B Evaporator fan You may hear air being forced through the refrigerator by the evaporator fan.
- C Defrost heater During defrost cycles, water dripping onto the defrost heater may cause a hissing or sizzling sound. After defrosting, a popping sound may occur.
- D Automatic ice maker When ice has been produced, you will hear ice cubes falling into the ice bin. Ice maker fan, water valve activation, and refrigerant gas fluid may create sounds from its operation.
- E Electronic control & automatic defrost control These parts can produce a snapping or clicking sound when turning the cooling system on and off.
- F Condenser fan You may hear air being forced through the condenser.
- G Compressor Modern, high-efficiency compressors run much faster than older models. The compressor may have a high-pitched hum or pulsating sound.
- H Water valve Makes a buzzing sound each time it opens to fill the ice maker.
- I Drain pan (not removable) You may hear water dripping into the drain pan during the defrost cycle.
- J Condenser May create minimal sounds from forced air.
- K Motorized Temperature Adjustable Cold Zone drawer
- M Motorized damper May produce a light humming during operation.
- N Temperature Adjustable Cold Zone drawer fan Turns off when door opens or the Cold Zone drawer is turned off.

NOTE

Energy efficient foam in your refrigerator is not a sound insulator.

NOTE

During automatic defrost cycle, a red glow in the back wall vents of your freezer compartment is normal.



Changing The Water and Air Filters

Your refrigerator is equipped with separate water and air filtering systems. The water filter system filters all the water used to produce ice. The air filter removes odors and impurities from the refrigerator compartment.

About your advanced water filter



The ProChill filter system is tested and certified by NSF International to NSF/ANSI Standards 42, 53 and 401 for the reduction of claims specified on the performance data sheet.

Do not use with water that is microbiologically unsafe or of unknown quality without adequate disinfection before or after the system. Systems certified for cyst reduction may be used on disinfected waters that may contain filterable cysts.

- Rated Capacity - 125 gallons/473 liters
- Rated service flow - .65 gallons per minute
- Maximum Rated Pressure - 100 pounds per square inch
- Recommended Minimum Operating Pressure: 30 pounds per square inch
- Operating Temp.: Min. 33°F, Max. 100°F

NOTE

When ordering your replacement filter, please reorder the same filter type that is currently in your refrigerator.

Water filter

The water filter is located at the top right side of the fresh food compartment.

Replacing your ProChill water filter

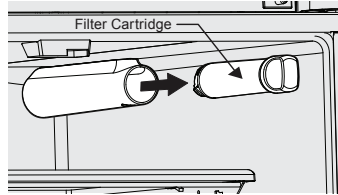
In general, you should change the water filter every six months to ensure the highest possible water quality. The Water Filter Status light on the Touch Panel prompts you to replace the filter after a standard amount of water (125 gallons/473 liters) has flowed through the system.

If your refrigerator has not been used for a period of time (during moving for example), change the filter before reinstalling the refrigerator.

It is not necessary to turn the water supply off to change the filter. Be ready to wipe up any small amounts of water released during the filter replacement.

To replace your water filter

1. Turn Off the ice maker power switch.
2. Remove the old filter by rotating it counter-clockwise (to the left) 90 degrees to release it.
3. Slide the old filter cartridge straight out of the housing and discard it.



4. Unpackage the new filter cartridge. Slide it into the filter housing as far as it will go with the grip end horizontal.
5. Push lightly inward on the filter while rotating it clockwise (to the right). The filter will then pull itself inward as it is rotated. Rotate the filter 90 degrees until it stops and the grip end is vertical. You may be able to feel a very light click as the filter locks into place.
6. Press a drinking glass against the water dispenser while checking for any leaks at the filter housing. Any spurts and sputters that occur as the system purges air out of the dispenser system are normal.
7. Continue dispensing water for 3-4 minutes or until 1.5 gallons of water has flowed through the system. You will likely need to empty and refill your glass several times.
8. Turn On the ice maker.
9. Press and hold the Water Filter reset button on the control panel for three seconds. When the display changes from Red to Green, the status has been reset.

Changing The Water and Air Filters

Air filter

The air filter is located under the utility bin.

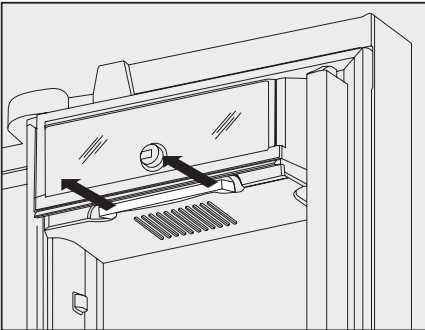
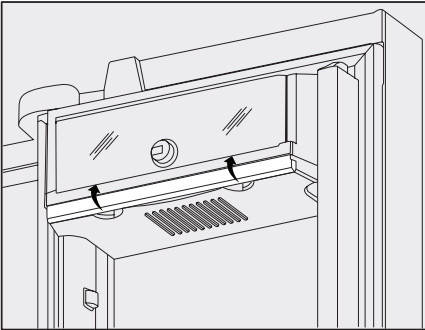
Replacing your TruAir air filter

To ensure optimal filtering of refrigerator odors, you should change the air filter every six months (the filter status light on the Touch Panel prompts you to replace the filter after six months).

1. Open the air filter door.
2. Remove the old filter and discard it.
3. Unpack the new filter and slide it into the housing.
4. To close the air filter door, push the top and bottom to lock the door closed.
5. Press and hold the Air Filter Reset button on the control panel for three seconds. When the display changes from "Replace" to "Good," the status has been reset.
6. The Air Filter Reset will turn itself off after a few seconds.

Ordering replacement filters

Order new filters by calling 800-223-3900.



Care and Cleaning

Protecting your investment

Keeping your refrigerator clean maintains its appearance and prevents odor build-up. Wipe up any spills immediately and clean the freezer and fresh food compartments at least twice a year.

NOTE

Do not use abrasive cleaners such as window sprays, scouring cleansers, flammable fluids, cleaning waxes, concentrated detergents, bleaches, or cleansers containing petroleum products on plastic parts, interior doors, gaskets, or cabinet liners. Do not use paper towels, scouring pads, or other abrasive cleaning materials.

- Never use CHLORIDE or cleaners with bleach to clean stainless steel.
- Do not wash any removable parts in a dishwasher.
- Always unplug the electrical power cord from the wall outlet before cleaning.

NOTE

If you set your temperature controls to turn off cooling, power to lights and other electrical components will continue until you unplug the power cord from the wall outlet.

- Remove adhesive labels by hand. Do not use razor blades or other sharp instruments which can scratch the appliance surface.
- Do not remove the serial plate. Removal of your serial plate voids your warranty.
- Before moving your refrigerator, raise the anti-tip brackets so the rollers will work correctly. This will prevent the floor from being damaged,

CAUTION

- **Pull the refrigerator straight out to move it. Shifting it from side to side may damage flooring. Be careful not to move the refrigerator beyond the plumbing connections.**
- **Damp objects stick to cold metal surfaces. Do not touch refrigerated surfaces with wet or damp hands.**

IMPORTANT

If you store or move your refrigerator in freezing temperatures, be sure to completely drain the water supply system. Failure to do so could result in water leaks when the refrigerator is put back into service. Contact a service representative to perform this operation.

Refer to the guide on the next page for details on caring and cleaning specific areas of your refrigerator.

Care and Cleaning

Care and cleaning tips

Part	Cleaning Agents	Tips and Precautions
Interior & Door Liners	<ul style="list-style-type: none"> • Soap and water • Baking soda and water 	<ul style="list-style-type: none"> • Use two tablespoons of baking soda in one quart of warm water. • Be sure to wring excess water out of sponge or cloth before cleaning around controls, LED lights or any electrical part.
Door Gaskets	<ul style="list-style-type: none"> • Soap and water 	<ul style="list-style-type: none"> • Wipe gaskets with a clean soft cloth.
Drawers & Bins	<ul style="list-style-type: none"> • Soap and water 	<ul style="list-style-type: none"> • Use a soft cloth to clean drawer runners and tracks. • Do not wash any removable items (bins, drawers, etc.) in dishwasher.
Glass Shelves	<ul style="list-style-type: none"> • Soap and water • Glass cleaner • Mild liquid sprays 	<ul style="list-style-type: none"> • Allow glass to warm to room temperature before immersing in warm water.
Toe Grille	<ul style="list-style-type: none"> • Soap and water • Mild liquid sprays • Vacuum 	<ul style="list-style-type: none"> • Remove toe grille (see Installation Instructions). • Vacuum both sides and wipe with sudsy cloth or sponge. Rinse and dry.
Exterior & Handles	<ul style="list-style-type: none"> • Soap and water • Non abrasive glass cleaner 	<ul style="list-style-type: none"> • Do not use commercial household cleaners containing ammonia, bleach or alcohol to clean handles. • Use a soft cloth to clean smooth handles. • Do not use a dry cloth to clean smooth doors.
Exterior & Handles (Stainless Steel Models Only)	<ul style="list-style-type: none"> • Soap and water • Stainless steel cleaners 	<ul style="list-style-type: none"> • Never use CHLORIDE or cleaners with bleach to clean stainless steel. • Clean stainless steel front and handles with non-abrasive soapy water and a dishcloth. Rinse with clean water and a soft cloth. • Use a non-abrasive stainless steel cleaner. These cleaners can be purchased at most home improvement or major department stores. Always follow manufacturer's instruction. Do not use household cleaners containing ammonia or bleach. • NOTE: Always clean, wipe and dry with grain to prevent scratching. • Wash the rest of the cabinet with warm water and mild liquid detergent. Rinse well and wipe dry with a clean soft cloth.

Vacation and moving tips

Occasion	Tips
Short Vacations	<ul style="list-style-type: none"> • Leave refrigerator operating during vacations of three weeks or less. • Use all perishable items from refrigerator compartment. • Turn automatic ice maker off and empty ice bucket, even if you will only be gone a few days.
Long Vacations	<ul style="list-style-type: none"> • Remove all food and ice if you will be gone one month or more. • Turn the cooling system off (see "Controls" section for location of On/Off button) and disconnect power cord. • Turn water supply valve to closed position. • Clean interior thoroughly. • Leave doors open to prevent odors and mold build-up. Block doors open if necessary.
Moving	<ul style="list-style-type: none"> • Remove all food and ice. • If using a handcart, load from the side. • Adjust rollers all the way up to protect them during sliding or moving. • Pad cabinet to avoid scratching surface.

Replacing LED lights

Both the freezer and fresh food compartments of your refrigerator include maintenance-free LED lights. To replace, contact an authorized service technician or call Customer Service at 1-800-223-3900.

Solutions to Common Problems

Before you call...

If you experience a concern with your refrigerator or notice a product behavior or condition that you do not understand, you can usually avoid a call to your service representative by referring to this section for an answer. Beginning with the following table, this information includes concerns, potential causes, and common solutions.

Automatic Ice Maker		
Concern	Potential Cause	Common Solution
Ice maker is not making any ice.	<ul style="list-style-type: none"> Ice maker is turned off. Refrigerator is not connected to water line or water valve is not open. The water supply line is kinked. The water filter is not seated properly. The water filter may be clogged with foreign material. Saddle valve on cold water pipe is clogged or restricted by foreign material. 	<ul style="list-style-type: none"> Turn on ice maker by lowering the wire signal arm. Connect the unit to the household water supply and ensure the supply valve is open. Ensure that the supply line does not kink when the refrigerator is pushed into place against the wall. Remove and re-install the water filter. Be sure to push the filter firmly so that you hear it lock solidly into position. If water dispenses slowly or not at all, or if the filter is six months old or older, it should be replaced. Turn off household water line valve. Remove valve. Ensure that valve is not a self-piercing saddle valve. Clean valve. Replace valve if necessary.
Ice maker is not making enough ice.	<ul style="list-style-type: none"> Ice maker is producing less ice than you expect. The water filter may be clogged with foreign material. The water supply line is kinked. Saddle valve on cold water pipe is clogged or restricted by foreign material. Heavy traffic, opening or closing of the doors excessively. Freezer control is set too warm Water pressure is extremely low. Cut-off and cut-on pressures are too low. (well system only) Reverse osmosis system is in regenerative phase 	<ul style="list-style-type: none"> The ice maker will produce approximately 2 to 2.5 lbs (0.9 to 1.1 kg) of ice every 24 hours depending on usage conditions. If the filter is six months old or older, it should be replaced. Ensure that the supply line does not kink when the refrigerator is pushed into place against the wall. Turn off household water line valve. Remove valve. Ensure that valve is not a self-piercing saddle valve. Clean valve. Replace valve if necessary. Press Fast Freeze to temporarily increase ice production rate. Set freezer control to colder setting to improve performance of the ice maker. Allow 24 hours for temperature to stabilize. Have someone turn up the cut-off and cut-on pressure on the water pump system (well system only) It is normal for a reverse osmosis system to be below 20 psi during the regenerative phase.
Freezer ice maker will not stop making ice.	<ul style="list-style-type: none"> Ice maker wire signal arm is being held down by some package in the freezer that has fallen against the ice maker. 	<ul style="list-style-type: none"> Move the item and release wire signal arm. Remove any ice cubes that may have frozen together over the wire signal arm.
Ice cubes are freezing together.	<ul style="list-style-type: none"> Ice cubes are not being used frequently enough. Ice cubes are hollow (shells of ice with water inside). The hollow cubes break open in the bin and leak their water onto existing ice, which causes it to freeze together. 	<ul style="list-style-type: none"> Remove ice container and discard ice. The ice maker will produce fresh supply. Ice should be used at least twice weekly to keep the cubes separated. This generally occurs when the ice maker does not get enough water. This is usually the result of a clogged water filter. Replace the water filter.

Odors In Refrigerator		
Concern	Potential Cause	Common Solution
Interior is dirty. Odors	<ul style="list-style-type: none"> Interior needs to be cleaned. Food with strong odors is stored in refrigerator. 	<ul style="list-style-type: none"> See Care & Cleaning Tips. Cover food tightly. Air filter may need to be changed more frequently if foods with strong odors are routinely stored in refrigerator.

Solutions to Common Problems

Opening/Closing Of Doors/Drawers		
Concern	Potential Cause	Common Solution
Door(s) will not close.	<ul style="list-style-type: none"> Door was closed too hard, causing other door to open slightly Refrigerator is not level. It rocks on the floor when moved slightly. An object has fallen from the baskets blocking the door from closing. 	<ul style="list-style-type: none"> Close both doors gently Ensure floor is level and solid, and can adequately support the refrigerator. Contact a carpenter to correct a sagging or sloping floor. Check for ice or food items blocking drawer.
Drawers are difficult to move.	<ul style="list-style-type: none"> Food is touching shelf on top of drawer. Drawer is overloaded 	<ul style="list-style-type: none"> Keep less food in drawer. Remove or redistribute food.

Refrigerator Operations		
Concern	Potential Cause	Common Solution
Compressor does not run.	<ul style="list-style-type: none"> Freezer control is set to "OFF" Refrigerator is in defrost cycle. Plug at wall outlet is disconnected. House fuse is blown or a tripped circuit breaker. Power outage. 	<ul style="list-style-type: none"> Set freezer control This is normal for a fully automatic defrost refrigerator. The defrost cycle occurs periodically, lasting about 30 minutes. Ensure plug is tightly pushed into outlet. Check/replace fuse with a 15 amp time-delay fuse. Reset circuit breaker. Check house lights. Call local Electric Company.
Refrigerator runs too much or too long.	<ul style="list-style-type: none"> Your variable speed compressor is designed to run 100% of the time except during the defrost cycle. At times it will run faster, such as after a defrost cycle 	<ul style="list-style-type: none"> It is normal for the compressor to run continuously except during defrost mode.
Digital temperature displays are flashing.	<ul style="list-style-type: none"> Electronic control system has detected a performance problem. 	<ul style="list-style-type: none"> Call your local service representative, who can interpret any messages or number codes flashing on the digital displays.

Temperatures Are Too Cold		
Concern	Potential Cause	Common Solution
Freezer temperature too cold. Refrigerator temperature is satisfactory.	<ul style="list-style-type: none"> Fast Freeze function is activated. Freezer control is set too cold. Ice maker is on. Fast Ice function is activated. 	<ul style="list-style-type: none"> Deactivate Fast Freeze function. Set freezer control to a warmer setting. Allow 24 hours for temperature to stabilize. It is normal for the freezer compartment to over cool while automatic ice maker is on. Deactivate Fast Ice function.
Refrigerator temperature too cold. Freezer temperature is satisfactory.	<ul style="list-style-type: none"> Refrigerator control is set too cold. 	<ul style="list-style-type: none"> Set refrigerator control to a warmer setting. Allow 24 hours for temperature to stabilize.
Food stored in drawers freezes.	<ul style="list-style-type: none"> Refrigerator control is set too cold. 	<ul style="list-style-type: none"> See solution above.
Food stored in Temperature Adjustable Cold Zone freezes	<ul style="list-style-type: none"> Temperature Adjustable Cold Zone control is set too cold. 	<ul style="list-style-type: none"> Adjust Temperature Adjustable Cold Zone control to a warmer setting. Meat should be stored at a temperature just below the freezing point for maximum fresh storage time. It is normal for ice crystals to form due to the moisture content of meat.

Solutions to Common Problems

Temperatures Are Too Warm		
Concern	Potential Cause	Common Solution
Freezer/Refrigerator temperature is too warm.	<ul style="list-style-type: none"> Doors are opened too frequently or too long. Door is slightly open. 	<ul style="list-style-type: none"> Warm air enters the refrigerator whenever the door is opened. Open the door less often. See Concern section, Opening/Closing of Doors/Drawers.
Freezer temperature is too warm. Refrigerator temperature is satisfactory.	<ul style="list-style-type: none"> Freezer control is set too warm. 	<ul style="list-style-type: none"> Set freezer control to a colder setting. Allow 24 hours for temperature to stabilize.
Refrigerator temperature is too warm. Freezer temperature is satisfactory.	<ul style="list-style-type: none"> Refrigerator control is set too warm. 	<ul style="list-style-type: none"> Set refrigerator control to a colder setting. Allow 24 hours for temperature to stabilize.
Temperature in the Adjustable Cold Zone Drawer is too warm	<ul style="list-style-type: none"> Temperature control is set too warm. 	<ul style="list-style-type: none"> Adjust temperature control to a colder setting.

Water/Moisture/Frost Inside Refrigerator		
Concern	Potential Cause	Common Solution
Moisture collects on inside of refrigerator walls.	<ul style="list-style-type: none"> Weather is hot and humid. Door is slightly open. Door is opened too often or too long. Flipper Mullion 	<ul style="list-style-type: none"> The rate of frost buildup and internal sweating increases. See Concern section, Opening/Closing of Doors/Drawers. Open door less often to allow internal temperature to stabilize. Adjust flipper mullion. (See page 8)
Water collects on bottom side of drawer cover.	<ul style="list-style-type: none"> Vegetables contain and give off moisture. 	<ul style="list-style-type: none"> Moisture on the bottom side of the cover is not unusual. Move humidity control (select models) to lower setting.
Moisture collects in bottom of drawer.	<ul style="list-style-type: none"> Washed vegetables and fruit drain while in the drawer. Fruits and vegetables are kept past their prime. 	<ul style="list-style-type: none"> Dry items before putting them in the drawer. Water collecting in bottom of drawer is normal. Routinely clean out old fruits and vegetables especially if they begin to break down.
Moisture collects on outside of refrigerator or between doors.	<ul style="list-style-type: none"> Weather is humid. Door is slightly open, causing cold air from inside refrigerator to meet warm air from outside. 	<ul style="list-style-type: none"> This is normal in humid weather. When humidity is lower, the moisture should disappear. See Concern section, Opening/Closing of Doors/Drawers.

Service Information

If service is required, call your dealer or authorized service agency. The name of the authorized service agency can be obtained from the dealer or distributor in your area.

Have the following information readily available:

- Model number
- Serial number
- Date purchased
- Name of dealer from whom purchased

Clearly describe the problem that you are having. If you are unable to obtain the name of an authorized service agency, or if you continue to have service problems, contact Marvel at 800-223-3900 or write to:

Marvel Refrigeration
1260 E Van Deirse
Greenville, Michigan 48838 USA

Record the information indicated below. You will need it if service is ever required. The serial number and model numbers for your refrigerator are located on the upper wall, behind the lighting:

Model No. _____ Serial No. _____

Date of Purchase _____ Date Installed _____

Dealer's Name _____

Address _____

If service requires installation of parts, use only authorized parts to insure protection under the warranty.

Keep this manual for future reference.

Warranty

Marvel Refrigeration Limited Warranty

REGISTER YOUR PRODUCT

To register your product in our warranty system submit online at marvelrefrigeration.com. Keep your receipt, delivery slip, or some other appropriate payment record to establish the warranty period should service be required. If service is performed, it is in your best interest to obtain and keep all receipts.

1-YEAR LIMITED PARTS AND LABOR WARRANTY

For one year from the date of original purchase, this Marvel product warranty covers all parts and labor to repair or replace any part of the product that proves to be defective in materials or workmanship. For products installed and used for normal residential use, material cosmetic defects are included in this warranty, with coverage limited to 60 days from the date of original purchase. All service provided by Marvel under the above warranty must be performed by Marvel factory authorized service, unless otherwise specified by Marvel. Service provided during normal business hours.

LIMITED 5-YEAR SEALED SYSTEM WARRANTY

For five years from the date of original purchase, Marvel will repair or replace the following parts, labor not included, that prove to be defective in materials or workmanship: compressor, condenser, evaporator, drier, and all connecting tubing. All service provided by Marvel under the above warranty must be performed by Marvel factory authorized service, unless otherwise specified by Marvel. Service provided during normal business hours.

WARRANTY TERMS

These warranties apply only to products installed in any one of the fifty states of the United States, the District of Columbia, or the ten provinces of Canada. The warranties do not cover any parts or labor to correct any defect caused by negligence, accident or improper use, maintenance, installation, service, repair, acts of God, fire, flood or other natural disasters. The product must be installed, operated, and maintained in accordance with the Marvel User Guide.

The remedies described above for each warranty are the only ones that Marvel will provide, either under these warranties or under any warranty arising by operation of law. Marvel will not be responsible for any consequential or incidental damages arising from the breach of these warranties or any other warranty, whether express, implied, or statutory. Some states do not allow the exclusion or limitation of incidental or consequential damages, so the above limitation or exclusion may not apply to you. These warranties give you specific legal rights, and you may also have other rights which vary from state to state.

Any warranty that may be implied in connection with your purchase or use of the product, including any warranty of merchantability

or any warranty fit for a particular purpose is limited to the duration of these warranties, and only extends to five years in duration for the parts described in the section related to the five year limited warranty above. Some states do not allow limitations on how long an implied warranty lasts, so the above limitations may not apply to you.

- The warranties only apply to the original purchaser and are non-transferable.
- These warranties cover products installed and used for normal residential use only.
- The warranties apply to units operated outside only if designed for outdoor use by model and serial number.
- Replacement water filters, light bulbs, and other consumable parts are not covered by these warranties.
- The start of Marvel's obligation is limited to four years after the shipment date from Marvel.
- In-home instruction on how to use your product is not covered by these warranties.
- Food, beverage, and medicine loss are not covered by these warranties.
- If the product is located in an area where Marvel factory authorized service is not available, you may be responsible for a trip charge or you may be required to bring the product to a Marvel factory authorized service location at your own cost and expense.
- Units purchased after use as floor displays, and/or certified reconditioned units, are covered by the limited one year warranty only and no coverage is provided for cosmetic defects.
- Signal issues related to Wi-Fi connectivity are not covered by these warranties. For parts and service assistance, or to find Marvel factory authorized service near you, contact Marvel Refrigeration:

MarvelRefrigeration.com • techsupport@MarvelRefrigeration.com • +1.800.223.3900 1260 E. Van Deirse St., Greenville, MI 48838

Renseignements

Veillez lire et conserver ce guide

Félicitations et bienvenue dans le monde distingué des propriétaires. Nous espérons que vous allez aimer et apprécier le soin et l'attention que nous avons apportée à chaque détail de votre nouveau appareil ultra moderne.

Votre appareil est conçu pour vous offrir des années de service fiable. Ce manuel d'utilisation et d'entretien

vous fournira les informations nécessaires pour vous familiariser avec le fonctionnement et l'entretien de votre appareil.

Nous apprécions votre choix d'acquérir un appareil et nous espérons que vous reviendrez vers nous pour vos autres besoins d'appareils ménagers principaux.

Pour plus d'informations sur la gamme complète et toujours plus large de produits, contactez votre distributeur ou visitez-nous en ligne sur agamarvel.com.



REMARQUE

L'enregistrement de votre produit nous permet de mieux vous servir. Vous pouvez l'enregistrer en ligne à l'adresse www.marvelrefrigeration.com ou en envoyant la carte d'enregistrement du produit par la poste.

Des questions?

Votre entière satisfaction est notre objectif ultime.

Si vous avez des questions ou des commentaires à propos de ce produit, veuillez contacter le distributeur qui vous a vendu le produit, ou contactez notre centre d'assistance à la clientèle au 1-800-223-3900.

Table des matières

Renseignements	1
Sécurité	2
Aperçu des caractéristiques	4
Installation	5
Dépose des portes	8
Installation de la porte gère	10
Raccorder l'alimentation en eau	11
Commandes	12
Distributeur d'eau et de glaçons automatique	14
Caractéristiques de rangement	15
Conservation des aliments et économie d'énergie	19
Bruits et éléments visuels d'un fonctionnement normal..	20
Remplacement des filtres à eau et à air	21
Entretien et nettoyage	23
Solutions aux problèmes courants	25
Service après-vente	28
Garantie	29

Liste de vérification d'installation

Portes

- Les poignées sont bien fixées
- Les portes se ferment hermétiquement sur tous les côtés de la caisse

Mise à niveau

- Les côtés du réfrigérateur sont de niveau. Le réfrigérateur est incliné de l'avant vers l'arrière de 6 mm (1/4 po)
- La grille de protection est correctement fixée au réfrigérateur
- Les quatre coins de la caisse reposent fermement sur le plancher

Alimentation en électricité

- Le système électrique de la maison est sous tension
- Le réfrigérateur est branché

Machine à glaçons

- Le système d'alimentation en eau est raccordé au réfrigérateur
- Il n'y a aucune fuite au niveau des raccords - seconde vérification 24 heures plus tard
- La machine à glaçons est allumée
- Le filtre avant est bien ajusté dans le boîtier du filtre (certains modèles)

Vérifications finales

- Le matériel d'expédition est enlevé
- Les températures pour les aliments frais et de congélation sont programmées
- Les contrôles d'humidité pour les fruits et légumes sont programmés
- La carte d'enregistrement est envoyée


Sécurité

Instructions de sécurité importantes

Mesures de sécurité

Ne tentez pas d'installer ou d'utiliser votre appareil avant d'avoir lu les mesures de sécurité présentées dans ce guide. Les mesures de sécurité présentées dans ce guide sont identifiées par les mots Danger, Avertissement ou Attention, selon le type de risque encouru.

Définitions

 Voici le symbole d'avertissement concernant la sécurité. Il est utilisé pour vous avertir des risques de blessures potentiels. Respectez tous les messages qui suivent ce symbole afin de prévenir les blessures ou la mort.

DANGER

La mention DANGER indique un danger imminent qui causera la mort ou de graves blessures, s'il n'est pas évité.

AVERTISSEMENT

La mention AVERTISSEMENT indique une situation potentiellement dangereuse qui, si elle n'est pas évitée, peut entraîner des blessures graves, voire la mort.

ATTENTION

La mention ATTENTION signale la présence d'une situation potentiellement dangereuse qui, si elle n'est pas évitée, est susceptible de causer des blessures mineures ou moyennement graves.

IMPORTANT

Cette mention précède des renseignements importants relatifs à l'installation, au fonctionnement ou à l'entretien. Toutefois, ceux-ci n'impliquent aucune notion de danger.

AVERTISSEMENT

Veuillez lire toutes les instructions de sécurité avant d'utiliser votre nouveau réfrigérateur.

Sécurité générale

- N'entrez pas et n'utilisez pas d'essence ni d'autres liquides inflammables à proximité de cet appareil ou de tout autre appareil électroménager. Lisez les étiquettes du produit concernant les risques d'inflammabilité et autres avertissements.
- Ne faites pas fonctionner le réfrigérateur en présence de vapeurs explosives.
- Évitez tout contact avec les pièces mobiles de la machine à glaçons automatique.
- Enlevez toutes les agrafes du carton pour éviter les blessures. Les agrafes peuvent aussi endommager les finis si elles viennent en contact avec d'autres appareils ménagers ou des meubles.

Sécurité des enfants

Matériaux d'emballage :

- Les cartons d'emballage recouverts de tapis, de couvertures, de feuilles de plastique ou de film étirable peuvent devenir étanches à l'air et provoquer rapidement la suffocation.
- Détruisez ou recyclez le carton, les sacs en plastique et tout autre matériau d'emballage externe immédiatement après le déballage du réfrigérateur. Les enfants ne devraient jamais jouer avec ces articles.

Dangers d'enfermement et de suffocation des enfants :

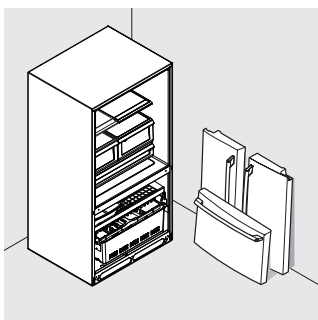
- Ces problèmes ne sont pas dépassés. Qu'ils soient mis au rebut, abandonnés ou mis de côté (même pour quelques heures), les réfrigérateurs et les congélateurs laissés sans surveillance sont dangereux. Veuillez prendre les précautions qui figurent dans la liste ci-dessous.

Mise au rebut appropriée de votre réfrigérateur/congélateur

Nous encourageons le recyclage des appareils ménagers ainsi que les méthodes d'élimination responsables. Vérifiez auprès de votre entreprise de recyclage ou visitez le site www.energystar.gov/ recycle pour obtenir des informations sur la manière de recycler votre ancien réfrigérateur.

Avant de recycler ou d'éliminer votre ancien réfrigérateur/congélateur :

- Retirez les portes.
- Laissez les clayettes et les paniers en place pour que les enfants ne puissent pas grimper facilement à l'intérieur.
- Demandez à un technicien qualifié d'enlever le réfrigérant et l'huile du compresseur.



▶ IMPORTANT

ÉLIMINATION DE CFC/HCFC

Votre vieux réfrigérateur peut avoir un système de refroidissement qui utilise les CFC ou HCFC (chlorofluorocarbures ou hydrochlorofluorocarbures). Les CFC et les HCFC sont jugés nocifs pour la couche d'ozone stratosphérique s'ils sont libérés dans l'atmosphère. D'autres réfrigérants peuvent également causer des dommages à l'environnement lorsqu'ils sont rejetés dans l'atmosphère.

Si vous vous débarrassez de votre vieux réfrigérateur, assurez-vous que les réfrigérants sont retirés pour une élimination appropriée par un technicien qualifié. Si vous libérez intentionnellement des réfrigérants, vous pouvez être soumis à des amendes et à des peines d'emprisonnement en vertu des dispositions de la législation environnementale.

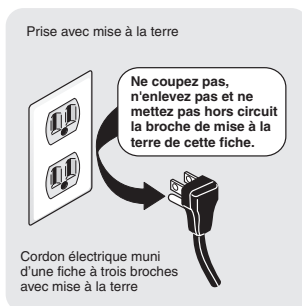
Électricité

⚠ AVERTISSEMENT

Vous devez suivre ces directives pour que les mécanismes de sécurité de votre réfrigérateur fonctionnent correctement.

Le réfrigérateur doit être branché sur sa propre prise électrique de 115 V c.a., 60 Hz, sans mise à la terre. Le cordon d'alimentation de l'appareil est muni d'une fiche à trois broches avec mise à la terre afin de vous protéger contre les chocs électriques. Cette fiche doit être branchée directement sur une prise murale à trois alvéoles correctement mise à la terre. La prise murale doit être installée selon les codes et les règlements locaux. Consultez un technicien qualifié. N'utilisez pas de rallonge électrique ni de fiche d'adaptation.

- Si le cordon d'alimentation est endommagé, il doit être remplacé par le fabricant, un technicien de service après-vente ou une personne qualifiée.
- Ne débranchez jamais le réfrigérateur en tirant sur le cordon. Agrippez fermement la fiche et tirez-la hors de la prise électrique en la tenant droite pour éviter d'endommager le cordon d'alimentation.
- Débranchez le réfrigérateur avant de le nettoyer ou de remplacer une ampoule ou une DEL.
- Une tension variant de 10 % ou plus risque de nuire aux performances de votre appareil. L'utilisation du réfrigérateur sans une alimentation électrique suffisante peut endommager le compresseur. Un tel dommage n'est pas couvert par la garantie.
- Ne branchez pas le réfrigérateur sur une prise commandée par un interrupteur mural ou un cordon de tirage pour éviter qu'il ne soit accidentellement éteint.



▶ IMPORTANT

Pour couper le courant de votre réfrigérateur, débranchez la fiche de la prise de courant.

Aperçu des caractéristiques

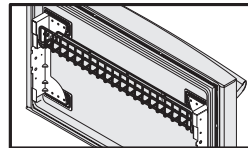
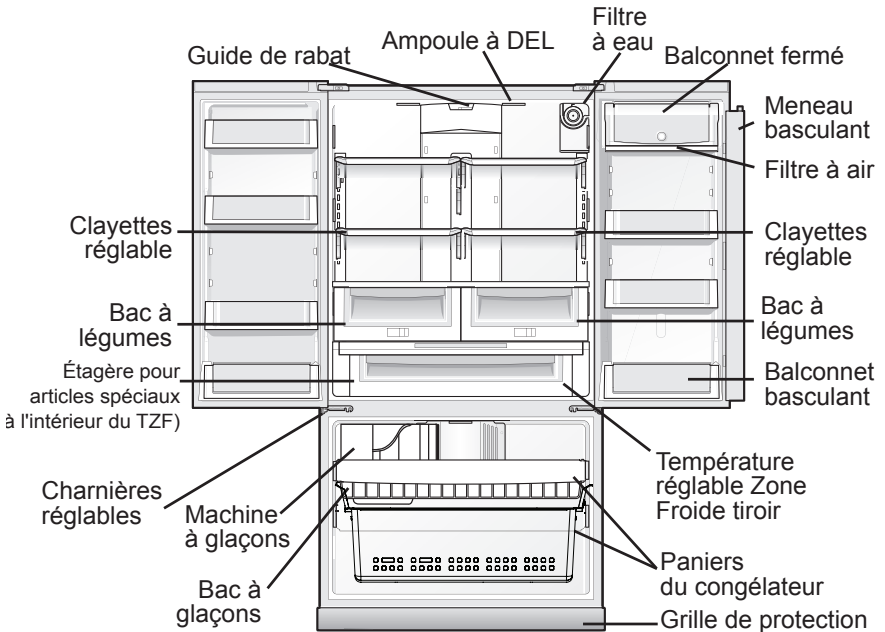
Explication des caractéristiques et des termes

Votre réfrigérateur est conçu pour vous offrir une commodité optimale et de la polyvalence de rangement. L'illustration ci-dessous est fournie afin que vous puissiez vous familiariser avec les caractéristiques et la terminologie de l'appareil.



REMARQUE

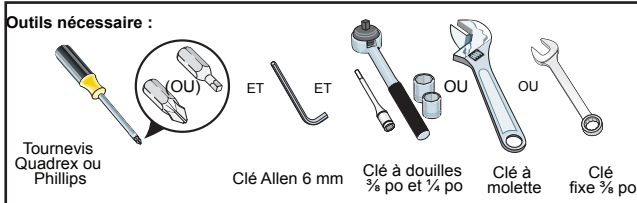
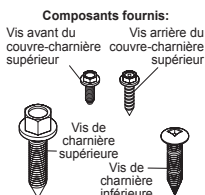
Les caractéristiques peuvent varier selon les modèles. Les tiroirs sont illustrés sans leurs couvercles.



Clayette basculante métallique
(à l'intérieur du tiroir du congélateur)

Installation

Outils nécessaires



Ce guide d'utilisation et d'entretien contient des instructions d'installation et d'utilisation spécifiques à votre modèle. Nous vous conseillons de faire appel à un réparateur ou à un entrepreneur pour l'installation de votre réfrigérateur. N'utilisez votre réfrigérateur que selon les instructions contenues dans ce guide d'utilisation et d'entretien. Avant de mettre le réfrigérateur en marche, suivez ces étapes initiales importantes.

Emplacement

- Placez l'appareil près d'une prise électrique sans disjoncteur de fuite de terre. N'utilisez pas de rallonge électrique ni de fiche d'adaptation.
- Si possible, ne placez pas le réfrigérateur directement sous la lumière du soleil et installez-le loin de la cuisinière, du lave-vaisselle et des autres sources de chaleur.
- Le réfrigérateur doit être installé sur un plancher de niveau et suffisamment solide pour supporter le poids du réfrigérateur une fois rempli.
- Prenez en considération la proximité de l'alimentation en eau pour les modèles équipés d'une machine à glaçons automatique.

ATTENTION

N'installez pas le réfrigérateur dans un endroit où la température descend en dessous de 13°C (55°F) ou monte au-dessus de 43°C (110°F). Sinon, le compresseur ne pourra pas maintenir la température appropriée à l'intérieur du réfrigérateur.

N'obstruez pas la grille de protection située dans la partie avant inférieure de votre réfrigérateur. Une bonne circulation d'air est essentielle pour que votre réfrigérateur fonctionne correctement.

Installation

- Respectez les distances suivantes pour faciliter l'installation, assurer une circulation d'air appropriée et raccorder la plomberie et les branchements électriques :

Côtés et dessus	9,5 mm (3/8 po)
Arrière	25,4 mm (1 pouce)

Ouverture de la porte

REMARQUE

Si votre réfrigérateur est positionné contre un mur sur le côté des charnières, vous devrez peut-être le distancer du mur pour permettre une plus grande ouverture de la porte.

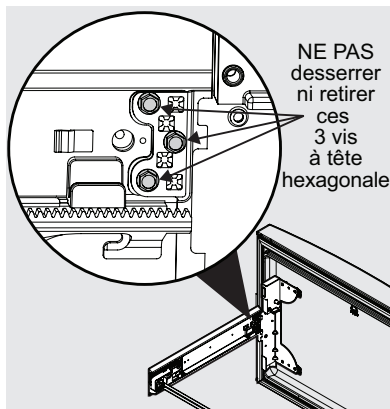
REMARQUE

Les portes du réfrigérateur sont conçues pour se refermer d'elles-mêmes lorsqu'elles ont un angle de 20 degrés ou moins.

Votre réfrigérateur doit être placé près d'un comptoir de manière à vous permettre d'y déposer facilement la nourriture. Pour faciliter l'utilisation des bacs du réfrigérateur et des paniers du congélateur, placez le réfrigérateur de manière à permettre aux deux portes de s'ouvrir complètement.

ATTENTION

NE PAS desserrer ni retirer ces 3 vis à tête hexagonale.



Installation

Vos poignées de porte peuvent être différentes de celles affichées dans les images tout au long de ce guide.

Mettez à niveau le réfrigérateur et ajustez les portes (si nécessaire)

Directives pour le positionnement final de votre réfrigérateur :

- Les quatre coins de la carrosserie doivent reposer fermement sur le plancher.
- Les côtés devraient être inclinés de 6 mm ($\frac{1}{4}$ po) de l'avant à l'arrière (pour s'assurer que les portes se ferment hermétiquement et correctement).
- Les portes doivent être alignées et de niveau.

La plupart de ces conditions peuvent être résolues en levant ou en abaissant les roulettes avant ajustables.

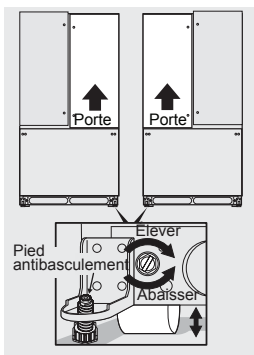
Pour mettre à niveau la carrosserie à l'aide des roulettes avant :

- 1 Ouvrez légèrement le tiroir du congélateur.
- 2 Enlevez la grille de protection (selon les directives concernant la grille de protection de votre modèle des illustrations ci-dessous).
- 3 Vous pouvez lever ou abaisser chaque porte. Utilisez une clé à douilles de $\frac{3}{8}$ po pour tourner les vis d'ajustement (1 de chaque côté).

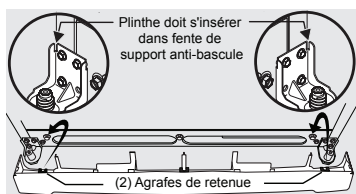
Pour lever : tournez la vis d'ajustement vers la droite.

Pour abaisser : tournez la vis d'ajustement vers la gauche

- 4 Assurez-vous que les deux portes ne soient pas liées à leurs joints qui touchent la carrosserie sur les quatre côtés et que la carrosserie soit stable.

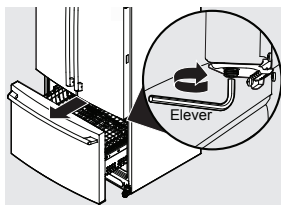


- 5 Lorsque l'appareil est de niveau, abaissez la patte antibasculement jusqu'à ce qu'elle touche au sol.



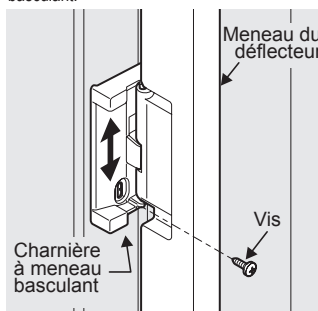
Pour effectuer les derniers réglages de la hauteur de la porte :

1. Ouvrir le tiroir du congélateur pour rendre la charnière inférieure visible.
2. Insérer la clé Allen 6 mm dans l'axe de la charnière inférieure.
3. Régler la hauteur en tournant dans le sens horaire ou antihoraire. Tourner dans le sens horaire baissera la porte. Tourner dans le sens antihoraire soulèvera la porte. Le réglage par défaut est à la hauteur la plus basse lorsqu'on reçoit l'appareil.



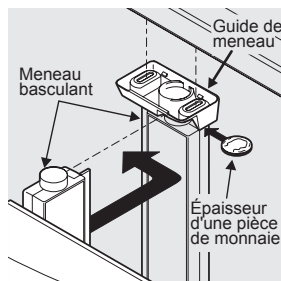
Ajustement du meneau basculant :

- 1 Desserrez la vis se trouvant sur la charnière du meneau basculant.



Réglage de la vis du meneau basculant

- 2 Ajustez la hauteur du meneau basculant. Pour obtenir un bon raccordement avec le guide du meneau basculant, l'écart devrait être de l'épaisseur d'une pièce de monnaie (1,5 mm ou 0,060 po) entre le guide et le meneau basculant.



Réglage de la hauteur du meneau basculant

- 3 Resserrez la vis.

Installation

Caractéristiques des clayettes (Certains modèles)

ATTENTION

Les étagères doivent être retirés avant de déplacer le réfrigérateur.

ATTENTION

Pour éviter les blessures provoquées par des clayettes en verre trempé cassées, manipulez celles-ci soigneusement.

REMARQUE

Les caractéristiques peuvent varier selon les modèles.

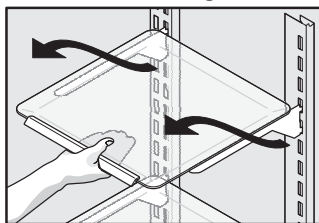
Votre réfrigérateur comporte des clayettes en verre conçues pour retenir les renversements accidentels.

Vous pouvez facilement ajuster la position des clayettes dans les compartiments d'aliments frais, selon vos besoins. Les clayettes possèdent des supports qui se montent dans les fentes des rails situés à l'arrière de chaque compartiment.

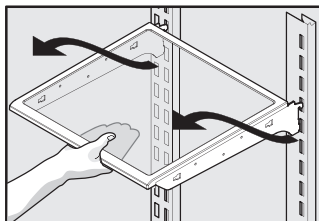
Pour changer la position d'une clayette :

- 1 Avant de régler la position d'une clayette, enlevez tous les aliments qui s'y trouvent.
- 2 Soulevez le devant de la clayette et retirez-la.
- 3 Remettez la clayette en place en insérant les crochets des supports dans les fentes désirées des rails.
- 4 Abaissez la clayette et verrouillez-la en place.

Custom-Design^{MC}

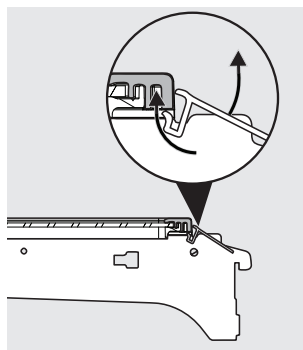


ou



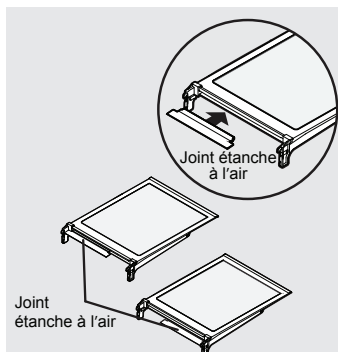
Remettre le joint hermétique (étagères à glissière)

- 1 Retirer le joint hermétique en poussant vers le bas sur le rabat avec une rotation vers le bas.
- 2 Placer le joint hermétique vers l'extrémité extérieure de l'étagère pour éviter la tour d'air lorsque remise en place.
- 3 Installez le joint en faisant glisser le rabat inférieur du joint vers le haut dans fond fente arrière de l'étagère avec joint à un angle vers le bas, puis en tirant sur le rabat de joint jusqu'à ce que le joint soit bien ajusté sur le dos de l'étagère et le rabat est assis à un angle d'environ 10 degrés de la surface de l'étagère.



Remettre le joint hermétique (Canal à l'arrière)

- 1 Retirer le joint hermétique en enfonçant le joint directement vers l'arrière.
- 2 Placer le joint hermétique vers le bord extérieur de l'étagère pour éviter la tour d'air lorsque la tablette est repoussée en place.
- 3 Installez le joint en faisant glisser l'extrémité ouvert du canal du joint sur le bord arrière de l'étagère jusqu'à ce que soit bien ajusté à l'arrière de l'étagère et le rabat est assis à un angle d'environ 10 degrés de la surface de l'étagère.



Retrait des portes

Passage par des espaces étroits

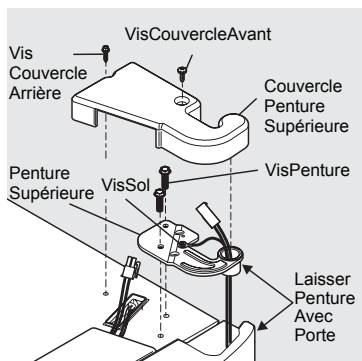
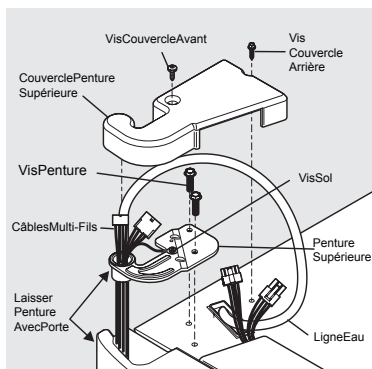
Si votre réfrigérateur ne peut pas passer par une zone d'entrée, vous pouvez enlever les portes. Vérifiez tout d'abord en mesurant l'entrée.

Pour se préparer à enlever les portes :

- 1 Assurez-vous que le cordon d'alimentation électrique est débranché de la prise murale.
- 2 Ouvrez le tiroir du congélateur et retirez la grille de protection (voir la section Installation).
- 3 Retirez les aliments sur les étagères de la porte et fermez les portes.

Pour enlever les couvercles de la charnière supérieure :

- 1 Retirez les deux vis de chaque couvercle par-dessus les charnières supérieures de la porte.
- 2 Soulevez l'intérieur du bord du couvercle de la charnière et inclinez vers l'arrière.

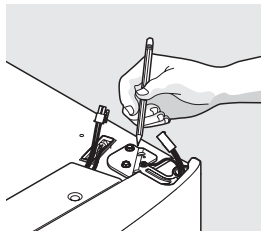


REMARQUE

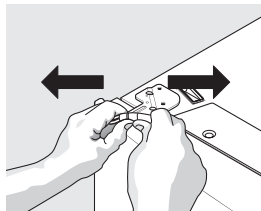
NE retirez PAS la vis de borne de terre et la charnière.

Enlever les portes du réfrigérateur

- 1 Tracer au crayon légèrement autour des charnières supérieures de la porte. Cela facilite la réinstallation.



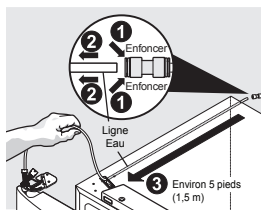
- 2 Débrancher le câblage en saisissant fermement les deux côtés du connecteur, appuyer sur le verrou et écarter. Retirez les deux vis de la charnière supérieure. Soulevez la porte hors de la charnière inférieure et mettez-le de côté.



- 3 Détacher le tube de l'eau au connecteur situé à l'arrière du réfrigérateur et tirer le tube arrière vers l'avant de l'appareil. Le connecteur se libère lorsque vous appuyez sur le manchon extérieur vers l'intérieur tout en poussant le tube vers le connecteur, puis tout en continuant à pousser vers l'intérieur du manchon, détacher le tube.

REMARQUE

Faites attention en extrayant le tube d'eau de l'appareil pour être sûr que vous ne pliez pas le tube.

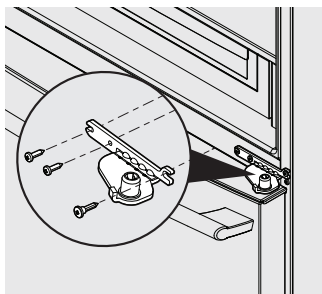


REMARQUE

La longueur du tube d'eau que vous tirerez de l'arrière du réfrigérateur sera d'environ 1,5 m (5 pi).

Retrait des portes

- 4 Dévisser les trois vis inférieures de la charnière et glisser la charnière vers l'intérieur.

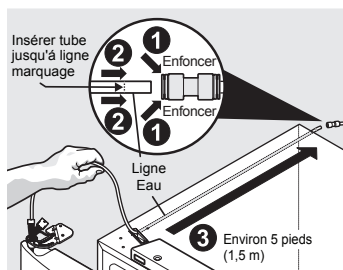


Enlèvement de la charnière inférieur

Pour réinstaller les portes du réfrigérateur :
Inverser les étapes ci-dessus.

REMARQUE

Après le remplacement, le tube doit être pleinement inséré jusqu'à la ligne de marquage.



REMARQUE

En réinsérant le tube d'eau et en remplaçant le couvercle de la charnière supérieure, veillez à ne pas plier le tube.

Une fois que les deux portes sont en place, s'assurer qu'ils sont alignées avec les autres et mettre à niveau (veuillez voir la section Installation pour plus de détails) et replacez le couvercle sur la charnière supérieure.

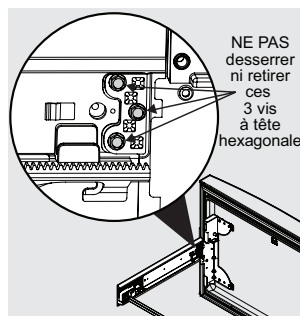
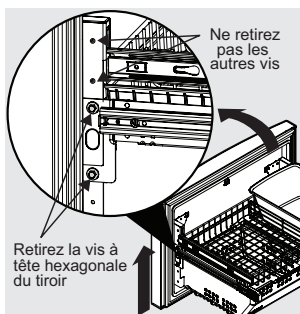
Instructions de retrait et de remise du tiroir de congélateur

⚠ ATTENTION

Le tiroir est lourd. Soyez prudent lors de l'élévation

Retrait du tiroir de congélateur

- 1 Retirez les (4) vis à tête hexagonale du tiroir.
- 2 Soulevez le tiroir pour le retirer.



Remise du tiroir de congélateur

- 1 Redescendez le tiroir à sa place.
- 2 Remettez en place les 4 vis à tête hexagonale du tiroir et serrez-les.

Raccorder l'alimentation en eau



AVERTISSEMENT

Pour éviter un choc électrique qui pourrait causer de graves blessures ou même la mort, coupez l'alimentation électrique du réfrigérateur avant de le raccorder à l'alimentation en eau.



ATTENTION

Pour éviter des dommages matériels :

- Il est recommandé d'utiliser une conduite en cuivre ou tressée en acier inoxydable pour l'alimentation en eau. L'utilisation d'un tube en plastique de 6,4 mm (¼ po) n'est pas recommandée. Un tube en plastique augmente grandement les risques de fuite d'eau et le fabricant n'est pas responsable des dommages causés par l'utilisation d'un tube en plastique pour l'alimentation en eau.
- N'INSTALLEZ PAS un tuyau d'alimentation en eau en plastique dans les régions où les températures descendent sous le point de congélation.
- Les produits chimiques provenant d'un adoucisseur qui fonctionne mal peuvent endommager la machine à glaçons. Si la machine à glaçons est raccordée à un adoucisseur, assurez-vous que ce dernier est entretenu adéquatement et qu'il fonctionne correctement.



IMPORTANT

Assurez-vous que votre conduite d'alimentation en eau est conforme aux codes de plomberie locaux.

Avant d'installer l'alimentation en eau, vous aurez besoin :

- Des outils de base suivants : Une clé à molette, un tournevis à pointe plate et un tournevis PhillipsMC.
- Un accès à la canalisation d'eau froide domestique d'une pression située entre 30 et 100 lb/po².
- Une conduite d'alimentation en eau en cuivre ou en acier inoxydable, d'un diamètre extérieur de 6,4 mm (¼ po). Pour déterminer la longueur de la conduite en cuivre nécessaire, vous devez mesurer la distance entre le robinet d'arrivée d'eau de la machine à glaçons derrière le réfrigérateur et la conduite d'eau froide. Puis, ajoutez approximativement 2,1 mètres (7 pieds) afin de pouvoir déplacer le réfrigérateur au moment du nettoyage (tel qu'illustré).
- Un robinet d'arrêt qui raccorde la conduite d'alimentation en eau à votre système de distribution d'eau domestique. N'UTILISEZ PAS de robinets d'arrêt de type auto-perceur.
- Ne pas réutiliser la bague de compression ou du ruban d'étanchéité pour joints filetés.
- Un écrou à compression et une bague (un raccord) pour raccorder la conduite d'alimentation en eau au robinet d'arrivée d'eau de la machine à glaçons.



REMARQUE

Vérifiez auprès de votre autorité locale du bâtiment pour obtenir des recommandations sur les conduites d'eau et les matériaux associés avant d'installer votre nouveau réfrigérateur. Pour les maisons avec des soupapes d'arrêt existantes, une ligne d'eau en acier inoxydable tressée est recommandée et, pour les maisons sans vanne existante, une conduite d'eau en cuivre avec une soupape auto-tarandante est recommandée. Veuillez vous référer à www.marvelrefrigeration.com pour plus d'informations.

Raccordement de l'alimentation en eau à l'arrivée du robinet d'eau de la machine à glaçons :

- 1 Débranchez le réfrigérateur de l'alimentation électrique.
- 2 Placez l'extrémité de la conduite d'alimentation en eau dans un évier ou un seau. OUVREZ l'alimentation en eau et laissez couler l'eau jusqu'à ce qu'elle soit claire. Fermez l'alimentation en eau à l'aide du robinet d'arrêt.
- 3 Dévissez le capuchon en plastique du robinet d'arrivée d'eau et jetez-le.
- 4 Si vous utilisez un tuyau en cuivre - Faites glisser l'écrou à compression en laiton, puis installez la bague (le raccord) sur la conduite d'alimentation en eau. Poussez la conduite en cuivre dans le robinet d'arrivée d'eau, aussi loin que possible (6,4 mm ou ¼ po). Faites glisser la bague (le raccord) dans le robinet et serrez à la main l'écrou à compression sur le robinet. Serrez d'un autre demi-tour à l'aide d'une clé; NE SERREZ PAS trop. Reportez-vous à la figure 1. Si on utilise des tubes tressés en acier inoxydable souple - L'écrou et la bague sont déjà installés sur le tuyau. Faites glisser l'écrou à compression sur l'entrée du robinet et serrez à la main l'écrou sur le robinet. Serrez d'un autre demi-tour à l'aide d'une clé; NE SERREZ PAS trop. Reportez-vous à la figure 2.
- 5 Fixez la conduite d'alimentation en eau (tuyau en cuivre seulement) au panneau arrière du réfrigérateur au moyen d'un collier en acier et d'une vis, comme illustré.
- 6 Enroulez l'excédent de la conduite d'alimentation (environ 2½ tours) derrière le réfrigérateur, tel qu'illustré, et placez cet excédent de sorte qu'il ne vibre pas ou qu'il ne s'use pas contre d'autres surfaces (tuyau en cuivre seulement).
- 7 OUVREZ le robinet d'arrêt de l'alimentation en eau et serrez toute connexion qui fuit.
- 8 Rebranchez le réfrigérateur.
- 9 Pour mettre la machine à glaçons en marche, abaissez le fil métallique du levier de signalisation (machine à glaçons du congélateur) ou placez le commutateur de Marche/Arrêt de la machine à glaçons en position de marche (machine à glaçon du réfrigérateur).

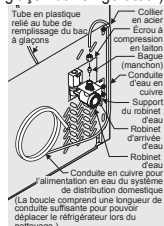


Figure 1

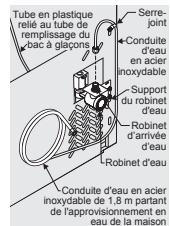


Figure 2

TruTouch Commandes



Un voyant rouge s'allume au-dessus de la fonction activée.

Appuyez sur l'icône correspondante pour activer les options ci-dessous.

on off (marche/arrêt)

Appuyez sur cette touche et maintenez-la enfoncée pendant trois secondes pour éteindre le système de refroidissement afin de pouvoir nettoyer le réfrigérateur. L'activation de cette touche arrêtera également la machine à glaçons. L'affichage de la température indiquera « OFF » (arrêt).

default settings (réglages de l'usine)

Restitue les valeurs définies en usine de tous les réglages du réfrigérateur (comme la température, l'affichage de la température, les alarmes, etc.).

Réglage des températures de refroidissement

Appuyez sur les indicateurs « + » ou « - » pour ajuster la température au réglage désiré. L'affichage de la température commencera à clignoter lorsque vous appuierez pour la première fois sur l'un ou l'autre des indicateurs. Après 10 secondes, l'afficheur revient à l'affichage de base.

energy saver (économiseur d'énergie)

Pour que la consommation énergétique soit minimale, la fonction « Energy Saver » doit être activée (lumière allumée). Si de la condensation se forme sur la caisse entre les portes, appuyez sur ce bouton pour éteindre la lumière et mettre en marche un générateur de chaleur électrique qui réduira la condensation présente sur la caisse entre les portes.

temp mode (mode de température)

Appuyez sur cette touche pour passer du mode d'affichage en degrés Fahrenheit à celui en degrés Celsius, et vice-versa.

fast freeze (congélation rapide)

Active un cycle plus rapide de congélation des aliments.

fast ice (fabrication rapide de glaçons)

Augmente la production de glaçons.

water filter (filtre à eau)

Appuyez sur cette touche et maintenez-la enfoncée pendant trois secondes pour le réinitialiser après le changement de filtre.

air filter (filtre à air)

L'état du filtre à air s'affiche lorsque la porte est ouverte. Appuyez sur cette touche et maintenez-la enfoncée pendant trois secondes pour le réinitialiser après le changement de filtre.

mute sounds (blocage du son)

Les signaux sonores émis à chaque pression effectuée sur les touches peuvent être désactivés au choix de l'utilisateur. Le voyant rouge lumineux indique que les signaux sonores sont désactivés. Les signaux d'avertissement demeureront actifs.

▶ IMPORTANT

Appuyer sur l'icône On/Off (marche/arrêt) ne coupe pas l'alimentation en électricité de votre réfrigérateur. Pour couper l'alimentation, vous devez débrancher le cordon d'alimentation de la prise murale.

Alarmes

Door Ajar (porte entrouverte)

Si la porte reste ouverte pendant une période prolongée, une alarme retentira et l'indicateur door ajar (porte entrouverte) apparaîtra au bas de l'afficheur du tableau de commande. L'alarme s'éteint lorsque la porte est fermée. La touche mute sounds (blocage du son) clignotera pour demander la réinitialisation des alarmes en fonction. Appuyez sur cette touche pour réinitialiser n'importe quelle alarme du système.

High Temp (température élevée)

Si la température du réfrigérateur est élevée, l'affichage de la température clignotera et indiquera « HI » (élevé). Après 20 minutes, l'alarme se fera entendre et l'indicateur de température élevée (high temp) s'allumera en rouge au bas du tableau de commande. L'icône du blocage du son (mute sounds) restera allumée jusqu'à ce que vous appuyiez pour arrêter l'alarme; après quoi, la température la plus élevée atteinte s'affichera et le réfrigérateur reviendra à son mode de fonctionnement normal. Si l'alarme de température élevée n'est pas arrêtée après avoir retenti pour la première fois, cette alarme se fera de nouveau entendre lorsque vous ouvrirez la porte du réfrigérateur.

Power Fail (panne d'électricité)

Si une panne d'électricité survient, l'indicateur d'alerte power fail (panne d'électricité) apparaîtra et l'affichage de la température clignotera jusqu'à ce que vous appuyiez sur l'icône mute sounds (blocage du son) pour désactiver l'alarme. Les autres modes peuvent être désactivés avant que l'alarme ne le soit. L'indicateur d'alerte POWER FAIL (Panne d'électricité) s'éteint et le réfrigérateur revient à son mode de fonctionnement normal. Il se peut que l'alarme HIGH TEMP (Température élevée) soit aussi allumée jusqu'à ce qu'une température de fonctionnement sécuritaire soit atteinte.

TruTouch Commandes

Mode sabbat TruTouch

Le mode sabbat est une fonction qui permet de désactiver certaines parties du réfrigérateur et les commandes des modèles à technologie TruTouch afin de se conformer aux rites du sabbat hebdomadaire et des autres fêtes religieuses de la communauté juive orthodoxe.

Il est possible d'ACTIVER ou de DÉSACTIVER le mode sabbat en appuyant et en tenant enfoncées la touche « - » de la commande de température du congélateur et la touche « + » de la commande de température du réfrigérateur pendant cinq secondes. L'afficheur indique « Sb » lorsque le réfrigérateur est en mode sabbat.

En mode sabbat, l'alarme de température élevée (High Temp) est activée pour des raisons de santé. Par exemple, si la porte est entrouverte l'alarme haute température est activé. Le réfrigérateur fonctionnera normalement une fois la porte fermée, sans toute violation du Sabbat/vacances. L'alarme haute température est permise lorsque la température du cabinet est à l'extérieur de la zone sûre pendant 20 minutes. L'alarme se fait taire après 10 minutes alors que l'icône High Temp reste allumé jusqu'à ce que vous quittez le mode Sabbat.

Pour plus de renseignements, de directives d'utilisation et pour consulter une liste complète des modèles qui possèdent la fonction de sabbat, veuillez visiter le site <http://www.star-k.org>.



REMARQUE

En mode sabbat, ni l'éclairage, ni la distributrice, ni le tableau de commande ne fonctionnera si le mode sabbat est désactivé.

Le réfrigérateur reste en mode sabbat après une panne d'électricité. Il doit être désactivé par les boutons sur le tableau de commande.



REMARQUE

En mode sabbat, la machine à glaçons est désactivée par le tableau de commande principal.

Mode sabbat et tiroir Température réglable Zone Froide

Le tiroir Température réglable Zone Froide devrait être désactivé pendant le sabbat et la période des fêtes. Avant d'activer le mode sabbat, désactivez le tiroir Température réglable Zone Froide en appuyant sur la touche on/off (marche/arrêt) du tiroir. L'afficheur indique « OFF » (arrêt) et le tiroir se désactive. Activez ensuite le mode sabbat sur l'afficheur principal du réfrigérateur. Reportez-vous à la section « Mode sabbat » de TruTouch. En mode Sabbat, l'écran ne s'allumera pas et le tiroir restera éteint. Le tiroir peut toujours être utilisé comme tiroir à température non contrôlée. Lorsque le mode sabbat est désactivé, le tiroir Température réglable Zone Froide devra être réactivé.



REMARQUE

Si le tiroir Température réglable Zone Froide n'est pas activé avant de mettre l'appareil en mode sabbat, il continuera à s'ajuster afin de maintenir le point de réglage même si l'écran ne s'allume pas pour montrer qu'il est toujours activé.



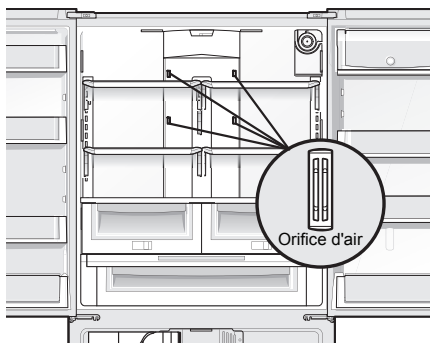
IMPORTANT

Si votre aliment congèle dans le compartiment pour aliments frais, augmenter le réglage de température de 1 ou 2 degrés.



IMPORTANT

Si vous placez des aliments à moins de 1 pouce (2,5 cm) devant les bouches d'air, il y a une possibilité de congeler des aliments.



Distributeur d'eau et de glaçons automatique

Utilisation et entretien de la machine à glaçons

Une fois que le réfrigérateur a été installé correctement, la machine à glaçons commence à produire de la glace après 24 heures. Elle peut remplir complètement le bac à glaçons en trois jours environ.

Pour vous assurer que la machine à glaçons fonctionne correctement lorsque vous l'utiliserez pour la première fois, il est nécessaire de retirer l'air du tuyau du filtre à eau. Lorsque la machine à glaçons commence à produire de la glace, faites-lui remplir DEUX fois le bac à glaçons et jetez le contenu. Il faudra au moins deux jours pour remplir complètement le bac à glaçons en mode de fabrication normal et 1 1/2 jour en mode de fabrication (fast ice).

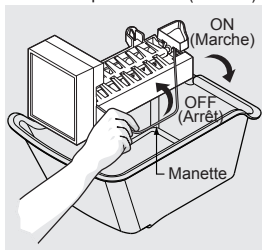
La machine à glaçons produit environ 0,9 à 1,1 kg (2 à 2,5 lbs) de glace toutes les 24 heures, selon le mode de fabrication utilisé. Le bac à glaçons tiendra environ 3,2 kg (7 lbs) de glace.

➔ IMPORTANT

La machine à glaçons est ajustée en position de marche à l'usine pour qu'elle puisse fonctionner dès que votre réfrigérateur est installé. Si vous ne pouvez raccorder l'appareil à un système d'alimentation en eau, mettez l'interrupteur ON/OFF (marche/arrêt) de la machine à glaçons à OFF (arrêt). Sinon, il se peut que le robinet de remplissage de la machine à glaçons émette un fort bruit lorsqu'il essaiera de fonctionner sans eau.

Mise en marche et arrêt de la machine à glaçons

La fabrication de glaçons est commandée en montant ou en abaissant la manette de la machine à glaçons. Pour accéder à la machine à glaçons, retirez le tiroir du congélateur. Soulevez la manette pour mettre la machine à glaçons en position OFF (arrêt) et abaissez-la pour la mettre en position ON (marche).



Conseils sur la production de glaçons

- Si votre réfrigérateur n'est pas raccordé à une alimentation en eau ou si l'alimentation en eau est coupée, arrêtez la machine à glaçons en soulevant la manette de marche/arrêt.

- Certains bruits de fonctionnement sont normaux. Ils sont produits par :

- Le fonctionnement du moteur
- Les glaçons qui tombent dans le bac
- Le robinet d'eau qui s'ouvre ou se ferme
- L'eau qui coule

- Les glaçons conservés trop longtemps peuvent développer un goût doux. Videz le bac à glaçons, tel qu'expliqué ci-dessous.

Fonction Fast Ice (fabrication de glaçons rapide)

Votre réfrigérateur est muni d'une fonction de fabrication rapide de glaçons « intelligente » qui permet, lorsqu'elle est activée, d'augmenter la vitesse de production des glaçons. Si vous ne désirez pas utiliser cette fonction, il n'est pas nécessaire de la désactiver; votre réfrigérateur fonctionnera en mode normal.

⚠ ATTENTION

Si l'eau de l'alimentation de votre réfrigérateur est adoucie, assurez-vous que l'adoucisseur est entretenu et fonctionne correctement. Les produits chimiques provenant d'un adoucisseur peuvent endommager la machine à glaçons.

Nettoyage de la machine à glaçons

Nettoyez la machine à glaçons et le bac à glaçons à intervalles réguliers, surtout pendant les vacances ou lors d'un déménagement.

- 1 Mettez la machine à glaçons en position d'arrêt.
- 2 Enlevez le bac à glaçons.
- 3 Videz et nettoyez soigneusement le bac à glaçons à l'aide de détergent doux. N'utilisez pas de nettoyeurs puissants ou abrasifs. Rincez à l'eau claire.
- 4 Laissez le bac à glaçons sécher complètement avant de le remettre dans le congélateur.
- 5 Remettez le bac à glaçons en place. Réactivez la machine à glaçons.

Enlevez et videz le bac à glaçons si :

- Une panne de courant prolongée (une heure ou plus) a fait que les glaçons ont fondu dans le bac à glaçons et qu'ils se sont soudés ensemble.

Enlevez le bac à glaçons et secouez-le pour libérer les glaçons ou nettoyez-le comme il est expliqué ci-dessus.

⚠ ATTENTION

N'UTILISEZ JAMAIS de pic à glace ni d'instrument pointu du même genre pour détacher les glaçons. Ceci pourrait endommager le bac à glaçons.

Utilisez de l'eau tiède pour libérer des glaçons coincés. Avant de reposer le bac à glaçons, assurez-vous qu'il est bien sec.

Caractéristiques de rangement

Caractéristiques des clayettes

ATTENTION

Pour éviter les blessures provoquées par des clayettes en verre trempé cassées, manipulez celles-ci soigneusement.

REMARQUE

Les caractéristiques peuvent varier selon les modèles.

Votre réfrigérateur comporte des clayettes en verre conçues pour retenir les renversements accidentels.

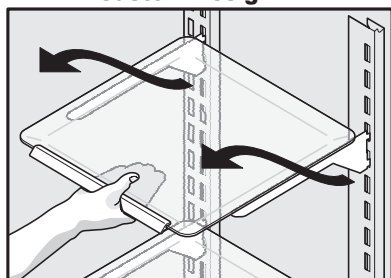
Vous pouvez facilement ajuster la position des clayettes dans les compartiments d'aliments frais, selon vos besoins. Les clayettes possèdent des supports qui se montent dans les fentes des rails situés à l'arrière de chaque compartiment.

Pour changer la position d'une clayette :

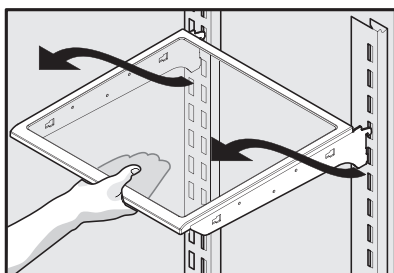
- 1 Avant de régler la position d'une clayette, enlevez tous les aliments qui s'y trouvent.
- 2 Soulevez le devant de la clayette et retirez-la.
- 3 Remettez la clayette en place en insérant les crochets des supports dans les fentes désirées des rails.
- 4 Abaissez la clayette et verrouillez-la en place.

Tiroirs

Custom-Design^{MC}



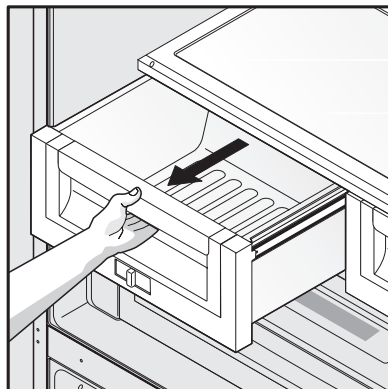
ou



Votre réfrigérateur comprend une variété de tiroirs de rangement. Ces tiroirs sont normalement situés à des endroits fixes dans le bas du compartiment réfrigérateur.

Bacs à fruits et à légumes

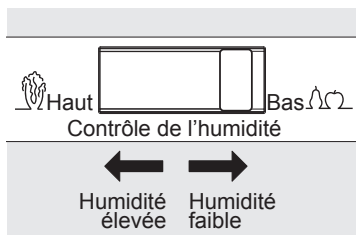
Les bacs à fruits et à légumes permettent le rangement des fruits, des légumes et d'autres produits frais.



Ouverture des bacs à fruits et à légumes

Contrôle d'humidité des bacs à fruits et à légumes

Chaque bac à fruits et à légumes comporte un réglage coulissant permettant de contrôler l'humidité à l'intérieur du bac. Les légumes à feuilles se conserveront plus longtemps en réglant le niveau d'humidité à son maximum. Les fruits frais se conserveront plus longtemps en réglant le niveau d'humidité à son minimum.

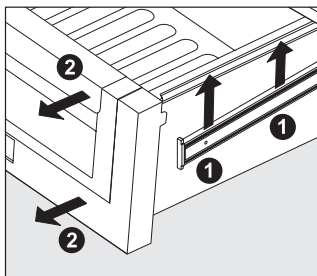


Réglage de l'humidité dans les bacs à fruits et à légumes

Caractéristiques de rangement

Retrait des bacs à fruits et à légumes pour le nettoyage :

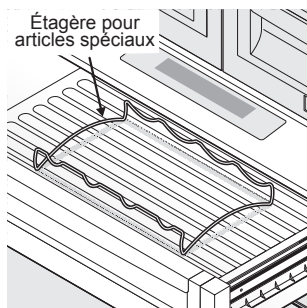
- 1 Sortez le tiroir jusqu'au bout.
- 2 Soulevez légèrement l'avant du bac à fruits et à légumes, puis retirez-le.



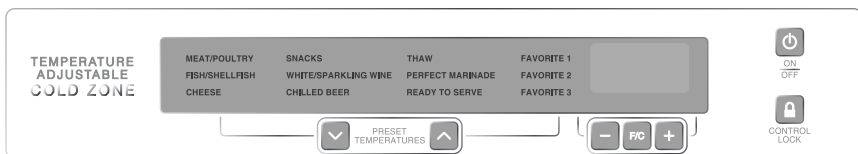
Retrait des bacs à fruits et à légumes

Étagère pour articles spéciaux

La conception novatrice de l'étagère pour articles spéciaux vous permet d'y ranger quatre bouteilles de vin ou de boisson gazeuse.



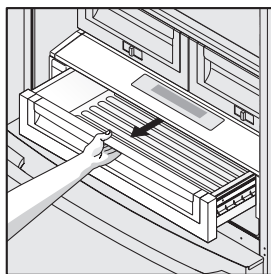
Tiroir Température Réglable Zone Froide



Le tiroir Température réglable Zone Froide est conçu pour conserver les aliments à une température précise soit plus fraîche, plus chaude ou la même que le compartiment à aliments frais. Le réglage de décongélation maintient une température pour décongeler des aliments pendant 12 heures. À la fin de cette période, il passe ensuite au réglage mixte pour conserver les aliments décongelés.

Fonctionnement :

- 1 Pour activer et désactiver, appuyez sur la touche On/Off (marche/arrêt) du tiroir. L'affichage numérique indique une température entre -2°C (28°F) et $+3^{\circ}\text{C}$ (38°F) lorsqu'il est activé. Lorsqu'il est désactivé, il affiche OFF (arrêt).
- 2 Appuyez sur F/C si vous préférez un affichage en degrés Fahrenheit « F » ou Celsius « C ».
- 3 Appuyez sur les touches de défilement vers le haut ou vers le bas pour surligner l'élément désiré.
- 4 Une fois le choix fait, la température du tiroir sera ajustée et maintenue selon le réglage choisi.
- 5 Lorsque désactivé, le tiroir Zone Froide fonctionne comme un bac à viande normal. Le tiroir Zone Froide convient mieux pour les produits emballés. Il est préférable de conserver les légumes feuillus et les fruits non emballés dans l'un des deux bacs à légumes.
- 6 Les trois sélections préférées offrent la flexibilité pour choisir le réglage et la température de conservation. La température est réglée vers le haut en appuyant sur la touche + ou vers le bas en appuyant sur la touche -. Le tiroir mémorisera la température sélectionnée jusqu'à ce qu'elle soit modifiée.
- 7 Les touches de commande peuvent être verrouillées pour empêcher toute modification accidentelle. Pour ce faire, appuyez sur la touche control lock (verrouillage des commandes) et maintenez-la enfoncée pendant trois secondes. Désactivez en appuyant à nouveau pendant trois secondes.



Ouverture du tiroir

Caractéristiques de rangement

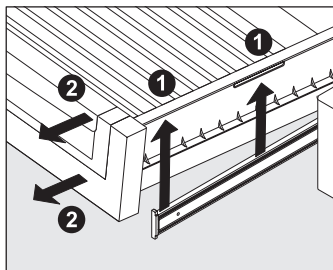
▶ IMPORTANT

NE NETTOYEZ PAS la zone d'affichage du tiroir avec des nettoyeurs abrasifs ou corrosifs. Essuyez au moyen d'une éponge humide.

⚠ ATTENTION

Le tiroir Température réglable Zone Froide et son couvercle peuvent être retirés aux fins de nettoyage (le tableau de commande fixé sur le côté droit du réfrigérateur ne peut pas être enlevé). N'immergez pas le couvercle du tiroir Custom TempMC dans l'eau et ne le mettez pas dans le lave-vaisselle. Nettoyez avec un linge humide ou une éponge.

- 1 Sortez le tiroir jusqu'au bout.
- 2 Soulevez légèrement l'avant du bac à fruits et à légumes, puis retirez-le.



Retrait du tiroir

REMARQUE

Lorsque le réfrigérateur est arrêté en appuyant sur la touche d'alimentation principale TruTouch, le tiroir Température réglable Zone Froide sera également désactivé. Lorsque le réfrigérateur est à nouveau activé, le tiroir Température réglable Zone Froide reprendra son fonctionnement au réglage de température sélectionné avant l'arrêt du réfrigérateur.

Portes

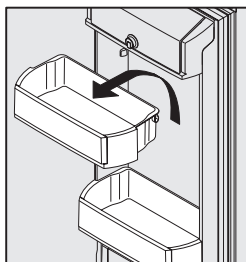
Balconnets

Les portes du compartiment d'aliments frais utilisent un système de balconnets modulaires. Tous ces balconnets peuvent être enlevés pour faciliter le nettoyage. Certains ont une position fixe, d'autres peuvent être réglés selon vos besoins.

Les balconnets peuvent contenir des pots, des bouteilles, des canettes et de grosses bouteilles de boisson. Ils permettent aussi une sélection facile des articles utilisés fréquemment.

Pour changer la position d'un balconnet réglable :

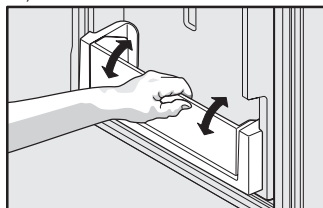
- 1 Avant de régler un balconnet, enlevez tous les aliments.
- 2 Agrippez fermement le balconnet avec les deux mains et soulevez-le.
- 3 Enlevez le balconnet.
- 4 Placez le balconnet juste au-dessus de la position désirée.
- 5 Abaissez le balconnet sur ses supports jusqu'à ce qu'il se verrouille en place.



Balconnet réglable

Support à canettes

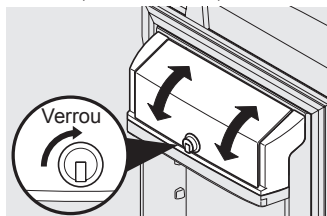
Le support à canettes permet de ranger efficacement et de façon sécuritaire jusqu'à huit canettes de 355 mL (12 oz).



Support à canettes

Balconnet fermé

Utilisez le compartiment des produits laitiers, situé dans le haut de la porte du compartiment réfrigérateur, pour le rangement temporaire du fromage, des pâtes à tartiner ou du beurre. Le compartiment des produits laitiers est conçu pour être moins froid que la zone de rangement ouverte et comporte un couvercle rabattable pouvant être verrouillé ainsi qu'un séparateur de produits laitiers (certains modèles).

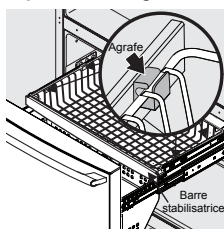


Balconnet fermé

Caractéristiques de rangement

Caractéristiques du congélateur

Pour enlever le panier du congélateur supérieur



Paniers du congélateur

- 1 Trouver le côté où le cadre du panier est aligné sur l'attache d'ouverture. Le cadre du panier doit être aligné à la fois aux attaches avant et arrière du même côté (gauche ou droite).
- 2 Si le cadre du panier n'est pas aligné sur les côtés gauche ou droit, pousser sur le panier vers le côté (de chaque côté) jusqu'à qu'il soit aligné.
- 3 En saisissant le cadre métallique du panier à proximité de l'attache frontal, tirer vers le haut pour extraire le cadre de panier.
- 4 Saisissez le cadre de panier à proximité de l'attache arrière et tirez jusqu'à ce qu'il sorte de l'attache.
- 5 Une fois qu'un côté du panier est sorti des attaches ou des dispositifs de retenue, faire glisser le panier sur le côté jusqu'à ce que l'autre côté du cadre soit alignée sur les ouvertures de l'attache du côté opposé du congélateur.
- 6 De la même manière, tirer le cadre du panier vers le haut hors des attaches avant et arrière jusqu'à ce qu'il soit hors des attaches.
- 7 Retirez le panier.

Inverser les étapes pour réinstaller le panier.

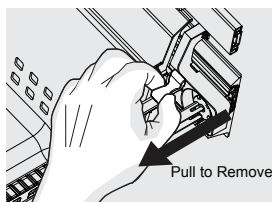
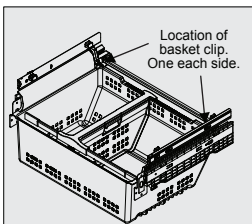


REMARQUE

Si le panier ne repose pas sur les attaches de retenue de la barre stabilisatrice, le tiroir ne fermera pas adéquatement.

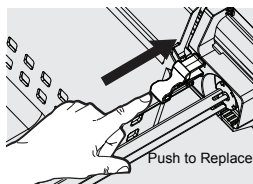
Instructions pour retirer du panier du congélateur

- 1 Repérer les attaches du panier dans les coins arrière du panier et les tirer pour enlever.
- 2 Ouvrir complètement les portes pour aliments frais.
- 3 Soulever le panier et enlever.



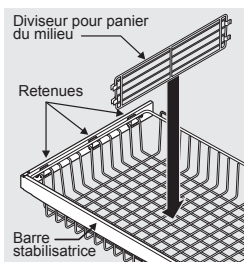
Instructions pour remettre du panier du congélateur

- 1 Remettre le panier du congélateur à l'intérieur du tiroir du congélateur.
- 2 Remettre les attaches en les faisant glisser dans les fentes.



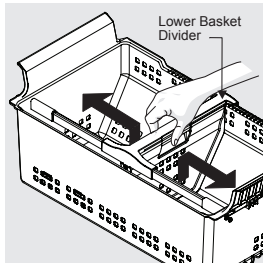
Retrait des séparateurs

Soulever l'avant du diviseur supérieur et extraire.



Diviseur de panier supérieur

Presser la poignée et soulever le centre du diviseur pour le déplacer latéralement. (Le diviseur ne peut pas être retiré).



Diviseur de panier inférieur en plastique

Clayette basculante métallique

La clayette basculante métallique du congélateur (située à l'intérieur du tiroir du congélateur) n'est pas conçue pour être retirée.

Conservation des aliments et économie d'énergie

Conseils pour la conservation des aliments

Conservation des aliments frais

- Conservez le compartiment réfrigérateur à une température située entre 1,1°C et 4,4°C (34°F et 40°F), la température optimale étant de 2,8°C (37°F).
- Évitez de surcharger les clayettes du réfrigérateur, car cela réduit la circulation de l'air et entraîne un refroidissement inégal.

Fruits et légumes

- Rangez les fruits et les légumes dans les bacs qui leur sont destinés, car l'humidité y est conservée, ce qui aide à garder la qualité de ces aliments pour longtemps.
- Lavez les articles et retirez l'excès d'eau.
- Les aliments à degré d'humidité élevé ou ayant une forte odeur doivent être enveloppés avant d'être rangés.

Viande

- Enveloppez séparément et soigneusement les viandes crues et la volaille afin de prévenir les fuites et la contamination des autres aliments ou des surfaces de l'appareil.
- Utilisez le tiroir à charcuterie ou le tiroir Custom Temp^{MC} et réglez en fonction d'une conservation à court terme de la viande et de la volaille. Toute viande devant être conservée plus de deux jours doit être congelée.

Conservation des produits surgelés

- Conservez le compartiment congélateur à une température égale ou inférieure à -17,8°C (0°F).
- Le congélateur fonctionne de manière plus efficace lorsqu'il est rempli au moins au 1/3.

Emballage des aliments pour la congélation

- Pour minimiser la déshydratation des aliments et leur détérioration, utilisez du papier d'aluminium, de la pellicule pour congélation, des sacs de congélation ou des récipients étanches. Retirez autant d'air que possible des emballages et fermez-les de manière hermétique. L'air enfermé peut provoquer la déshydratation, le changement de couleur et donner mauvais goût aux aliments (brûlures de congélation).
- Enveloppez les viandes et les volailles fraîches dans une pellicule conçue pour la congélation avant de les congeler.
- Ne faites pas recongeler de la viande qui a été complètement décongelée.

Chargement du congélateur

- Avant de faire vos provisions, activez la fonction « fast freeze » (congélation rapide) afin de pouvoir congeler rapidement vos nouveaux achats destinés pour le congélateur.
- L'activation de la fonction « fast freeze » (congélation) aide aussi votre congélateur à maintenir plus efficacement la température choisie en mettant les nouveaux achats avec des aliments déjà congelés.
- Évitez d'ajouter trop d'aliments chauds en même temps dans le congélateur. Ceci surcharge le congélateur, ralentit la vitesse de congélation et peut faire augmenter la température des aliments congelés.
- Laissez de l'espace entre les emballages pour que l'air circule librement, ce qui permettra aux aliments de congeler le plus rapidement possible.

Conseils pour l'économie d'énergie

Installation

- Placez le réfrigérateur dans l'endroit le plus froid de la pièce, éloigné de la lumière du soleil et des conduits de chauffage ou des bouches de chaleur.
- Ne le placez pas près d'une cuisinière, d'un four ou d'un lave-vaisselle. Si cela n'est pas possible, ajoutez une planche ou une couche d'isolation entre les deux appareils pour aider le réfrigérateur à fonctionner plus efficacement et de façon plus économique.
- Mettez le réfrigérateur à niveau pour que les portes se ferment bien.

Réglage de la température

- Reportez-vous à la section « Commandes » de ce guide pour connaître les procédures à suivre pour le réglage de la température.

Conservation des aliments

- Ne surchargez pas le réfrigérateur et ne bloquez pas les sorties d'air froid. Sinon, le réfrigérateur devra fonctionner plus longtemps et utiliser plus d'énergie.
- Recouvrez les aliments et essuyez les contenants avant de les placer au réfrigérateur. Vous réduirez ainsi la formation de condensation à l'intérieur de l'appareil.
- Organisez votre réfrigérateur afin de l'ouvrir le moins souvent possible. Faites en sorte que vous puissiez prendre plusieurs articles en même temps et refermez la porte aussitôt que possible.
- Ne mettez pas un contenant chaud directement sur une clayette froide. N'oubliez pas qu'un tel changement de température peut endommager le verre.

Bruits d'un fonctionnement normal

Pour comprendre les bruits que vous entendez

Votre nouveau réfrigérateur de haute efficacité peut émettre des sons qui ne vous sont pas familiers. Ces bruits indiquent habituellement que votre réfrigérateur fonctionne correctement. Certaines surfaces sur le plancher, les murs et les armoires de cuisine peuvent rendre ces sons plus distincts.

On trouvera ci-dessous une liste des principaux composants de votre réfrigérateur et des sons qu'il peut émettre :

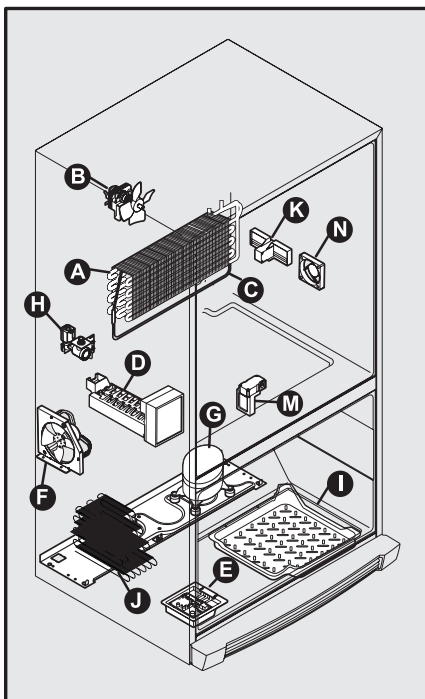
- A Évaporateur Le déplacement du réfrigérant dans l'évaporateur risque d'entraîner un gargouillement ou un bruit d'ébullition.
- B Ventilateur de l'évaporateur Vous pouvez entendre le déplacement d'air produit par le ventilateur de l'évaporateur à travers le réfrigérateur.
- C Élément chauffant de dégivrage Pendant les cycles de dégivrage, l'eau qui s'écoule sur l'élément chauffant peut provoquer un sifflement ou un bref crépitement. Après le dégivrage, un bruit sec peut se produire.
- D Machine à glaçons automatique Lorsque les glaçons sont produits, vous pouvez les entendre tomber dans le bac à glaçons. Le ventilateur de la machine à glaçons, la mise en marche du robinet d'eau et le fluide frigorigène peuvent émettre des sons pendant leur fonctionnement.
- E Commandes électroniques et commandes de dégivrage automatique Ces pièces peuvent produire un claquement ou un clic lorsqu'elles arrêtent ou mettent en marche le système de refroidissement.
- F Ventilateur du condenseur Vous pouvez entendre le déplacement d'air acheminé au condenseur.
- G Compresseur Les compresseurs modernes de haute efficacité fonctionnent plus rapidement que les anciens modèles. Ils peuvent émettre une vibration ou un bourdonnement aigu.
- H Robinet d'eau Émet un bourdonnement chaque fois qu'il s'ouvre pour remplir la machine à glaçons.
- I Plateau de dégivrage (inamovible) Vous pouvez entendre les gouttes d'eau tomber dans le plateau de dégivrage pendant le cycle de dégivrage.
- J Condenseur Peut émettre de faibles sons provoqués par le passage de l'air.
- K Le volet motorisé du tiroir Température réglable Zone Froide Peut produire un léger bourdonnement pendant qu'il fonctionne.
- M Volet motorisé Peut produire un léger ronronnement pendant son fonctionnement.
- N Ventilateur du tiroir Température réglable Zone Froide S'éteint lorsque la porte s'ouvre ou que le tiroir Température réglable Zone Froide est fermé.

REMARQUE

La mousse écoénergétique de votre réfrigérateur n'isole pas des sons.

REMARQUE

Pendant le cycle de dégivrage automatique, une lueur rouge à l'arrière des évents muraux de votre congélateur est normale.



Remplacement des filtres à eau et à air

Votre réfrigérateur est équipé d'un système de filtration pour l'eau et d'un autre pour l'air. L'eau servant à la production de glaçons et entièrement filtrée par le système de filtration de l'eau. Le filtre à air enlève les odeurs et les impuretés présentes dans le réfrigérateur.

Pour en savoir plus sur votre filtre à eau perfectionné



Le système de filtration pour la glace et l'eau ProChill a été testé et est certifié ANSI/NSF selon les normes 42, 53 et 401 concernant la réduction des allégations spécifiées sur la fiche de performances.

N'utilisez pas ce filtre avec de l'eau qui présente des dangers microbiologiques ou dont la qualité est inconnue sans qu'elle ne soit d'abord désinfectée avant ou après son entrée dans le système. Les systèmes certifiés pour la réduction des spores peuvent être utilisés pour de l'eau désinfectée pouvant contenir des spores filtrables.

- Capacité nominale : 473 litres (125 gallons)
- Débit nominal d'utilisation - 2,45 L (0,65 gallon) par minute
- Pression maximale d'utilisation - 100 lb/po²
- Pression de fonctionnement minimale recommandée : 30 lb/po²
- Température de fonctionnement : Min. 0,5°C (33°F), max. 37,8°C (100°F)



REMARQUE

Lorsque vous commandez votre filtre de recharge, veuillez recommander le même type de filtre qui est actuellement dans votre réfrigérateur.

Filtre à eau

Le filtre à eau se trouve dans la partie inférieure gauche du compartiment réfrigérateur.

Remplacement du filtre à eau ProChill

En général, vous devriez changer le filtre à eau tous les six mois pour assurer la plus haute qualité d'eau possible. Le témoin indiquant l'état du filtre à eau situé sur le panneau tactile s'allumera tous les six mois pour vous indiquer de remplacer le filtre. Le rendement du témoin d'état du filtre à eau dont est muni cet appareil n'a pas été testé ou certifié par la NSF.

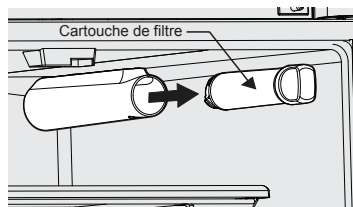
Si votre réfrigérateur n'a pas été utilisé pendant une longue période (pendant un déménagement par exemple), changez le filtre avant de réinstaller votre réfrigérateur.

Il n'est pas nécessaire de couper l'eau pour changer le filtre. Soyez prêt à essuyer toute petite quantité d'eau qui serait libérée pendant le remplacement du filtre.

Pour remplacer votre filtre à eau :

Il ne faut pas couper l'alimentation en eau pour changer le filtre. Soyez prêt à essuyer les petites quantités d'eau libérées pendant le remplacement du filtre.

- 1 Interrupteur pour désactiver la machine à glaçons.
- 2 Retirer le filtre en le tournant dans le sens antihoraire (vers la gauche) à 90 degrés pour le libérer.
- 3 Faire glisser la vieille cartouche de filtre directement hors du boîtier et le jeter.



- 4 Déballez la nouvelle cartouche de filtre. Faites-le glisser dans le boîtier de filtre aussi loin qu'il pourra aller avec l'extrémité de la poignée horizontale.
- 5 Poussez légèrement vers l'intérieur sur le filtre tout en tournant dans le sens horaire (vers la droite). Le filtre sera alors tirer par lui-même vers l'intérieur en tournant. Faire pivoter le filtre de 90 degrés jusqu'à la butée et l'extrémité de la poignée est verticale. Vous pourriez être en mesure de sentir un dé clic très léger lorsque le filtre se verrouille en place.
- 6 Appuyez sur un verre contre le distributeur d'eau tout en vérifiant la présence de fuites au niveau du boîtier de filtre. Les poussées et postillons qui se produisent alors que système purge de l'air hors du système de distribution sont normaux.
- 7 Continuer de distribuer de l'eau pendant 3 à 4 minutes ou jusqu'à ce que 5,7 litres (1,5 gallons) d'eau ait coulé dans le système. Vous aurez probablement besoin de vider et de remplir votre verre à plusieurs reprises.
- 8 Désactiver la machine à glaçons.
- 9 Maintenir la touche de réinitialisation enfoncée du filtre à air sur le panneau de commande pendant trois secondes. Lorsque l'affichage passe de rouge à vert, l'état a été réinitialisé.

Remplacement des filtres à eau et à air

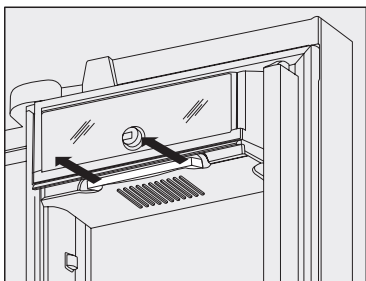
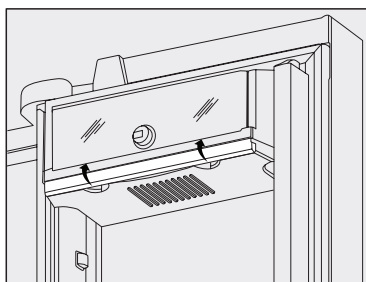
Filtre à air

Le filtre à air est situé sous le bac de rangement

Remplacement du filtre à air TruAir

En général, vous devriez changer le filtre à air tous les six mois (le voyant lumineux indiquant l'état du filtre sur le panneau tactile vous avertira de remplacer le filtre après six mois d'utilisation) pour assurer une filtration optimale des odeurs du réfrigérateur.

- 1 Ouvrez la porte du filtre à air.
- 2 Enlevez le filtre usé et jetez-le.
- 3 Déballez le nouveau filtre et glissez-le dans le boîtier.
- 4 Pour fermer la porte du filtre à air, poussez le bas et le haut pour verrouiller la porte.
- 5 Appuyez sur la touche Air Filter Reset (réinitialisation du filtre à air) sur le tableau de commande et maintenez-la enfoncée pendant trois secondes. Lorsque l'affichage passe de « Replace » (à remplacer) à « Good » (bon), cela signifie que l'état du filtre a été réinitialisé.
- 6 Le bouton Air Filter Reset (réinitialisation du filtre à air) s'éteindra de lui-même après quelques secondes.



Pour commander des filtres de rechange

Pour commander de nouveaux filtres, appelez le 1-800-223-3900.

Entretien et nettoyage

Protection de votre investissement

Gardez votre réfrigérateur propre pour conserver son apparence et éviter les odeurs. Essayez immédiatement tout renversement et nettoyez les compartiments congélateur et réfrigérateur au moins deux fois par an.



REMARQUE

Évitez d'utiliser des nettoyeurs abrasifs comme des vaporisateurs à fenêtre, des nettoyeurs à récurer, des liquides inflammables, des cires nettoyantes, des détergents concentrés, des produits javellisants ou des nettoyeurs à base de pétrole pour nettoyer les pièces en plastique, les portes intérieures, les joints et les revêtements de la caisse. Évitez d'utiliser du papier essuie-tout, des tampons à récurer ou tout autre matériel de nettoyage abrasif.

- N'utilisez jamais de tampons à récurer métalliques, de brosses, de nettoyeurs abrasifs ni de solutions alcalines fortes pour nettoyer votre réfrigérateur.
- N'utilisez jamais de CHLORE ou de nettoyeurs avec javellisant pour nettoyer l'acier inoxydable.
- Ne lavez aucune des pièces amovibles dans le lave-vaisselle.
- Débranchez toujours le cordon d'alimentation de la prise murale avant de nettoyer l'appareil.



REMARQUE

Si vous réglez la commande de température pour qu'elle arrête le système de refroidissement, le courant électrique qui alimente l'éclairage et les autres composants électriques sera maintenu jusqu'à ce que vous débranchiez le cordon d'alimentation de la prise murale.

- Enlevez les étiquettes adhésives à la main. N'utilisez pas de lame de rasoir ni d'autres instruments pointus qui peuvent rayer la surface de l'appareil.
- N'enlevez pas la plaque signalétique. Le retrait de la plaque de série annule la garantie.
- Avant de déplacer le réfrigérateur, montez les supports anti-renversement afin que les roulettes puissent fonctionner correctement. Ceci évitera d'abîmer le plancher.



ATTENTION

- **Tirez le réfrigérateur en le maintenant droit pour le déplacer. Le déplacement latéral du réfrigérateur peut endommager le revêtement de sol. Faites attention à ne pas déplacer le réfrigérateur plus loin que les raccordements de plomberie ne le permettent.**
- **Les objets humides collent aux surfaces froides. Ne touchez pas les surfaces froides du réfrigérateur avec les mains humides.**



IMPORTANT

Si vous entreposez ou déplacez votre réfrigérateur dans un endroit exposé au gel, assurez-vous de vidanger complètement le système d'alimentation en eau. Le non-respect de cette recommandation peut entraîner des fuites d'eau lorsque le réfrigérateur est remis en service. Communiquez avec un représentant du service après-vente pour effectuer cette opération.

Reportez-vous à la page suivante pour connaître les détails concernant l'entretien et le nettoyage de zones spécifiques de votre réfrigérateur.

Entretien et nettoyage

Astuces d'entretien et de nettoyage

Pièce	Agents de nettoyage	Conseils et précautions
Intérieur et revêtements de porte	<ul style="list-style-type: none">• Eau savonneuse• Bicarbonate de soude et eau	<ul style="list-style-type: none">• Utilisez deux cuillerées à table de bicarbonate de soude dans 0,47 L (1 pinte) d'eau tiède.• Essorez bien l'eau de l'éponge ou du chiffon avant de nettoyer autour des commandes, de l'ampoule DEL ou de toute pièce électrique.
Joint des portes	<ul style="list-style-type: none">• Eau savonneuse	<ul style="list-style-type: none">• Essuyez les joints avec un chiffon propre et doux.
Bacs et balconnets	<ul style="list-style-type: none">• Eau savonneuse	<ul style="list-style-type: none">• Utilisez un chiffon propre pour essuyer les glissières et les rainures.• Ne lavez aucune des pièces amovibles (bacs, balconnets, etc.) dans le lave-vaisselle.
Clayettes en verre	<ul style="list-style-type: none">• Eau savonneuse• Nettoyant pour verre• Pulvérisation liquide douce	<ul style="list-style-type: none">• Laissez le verre se réchauffer à la température ambiante avant de l'immerger dans l'eau chaude.
Grille de protection	<ul style="list-style-type: none">• Eau savonneuse• Pulvérisation liquide douce• Aspirateur	<ul style="list-style-type: none">• Enlevez la grille de protection (reportez-vous aux instructions d'installation).• Passez l'aspirateur sur l'arrière de la grille et essuyez-la au moyen d'une éponge ou d'un linge savonneux. Rincez et séchez.
Extérieur et poignées	<ul style="list-style-type: none">• Eau savonneuse• Nettoyant pour verre non abrasif	<ul style="list-style-type: none">• N'utilisez pas de nettoyant ménager commercial à base d'ammoniaque, de javellisant ou d'alcool pour nettoyer les poignées.• Utilisez un chiffon doux pour polir les poignées.• N'utilisez pas un chiffon sec pour nettoyer des portes lisses.
Extérieur et poignées (modèles en acier inoxydable seulement)	<ul style="list-style-type: none">• Eau savonneuse• Nettoyant pour acier inoxydable	<ul style="list-style-type: none">• N'utilisez jamais de CHLORE ou de nettoyants avec javellisant pour nettoyer l'acier inoxydable.• Nettoyez l'avant et les poignées en acier inoxydable au moyen d'un chiffon à vaisselle non abrasif imbibé d'eau savonneuse. Rincez avec un chiffon doux imbibé d'eau propre.• Utilisez un nettoyant pour acier inoxydable non abrasif. Ces nettoyants peuvent être achetés dans la plupart des magasins de rénovation ou dans les grands magasins. Suivez toujours les instructions du fabricant. N'utilisez pas de nettoyant ménager à base d'ammoniaque ou de javellisant.• REMARQUE : Nettoyez, essuyez et séchez toujours dans le sens des stries pour éviter les rayures.• Lavez le reste de l'extérieur avec de l'eau chaude et un détergent liquide doux. Rincez bien et séchez au moyen d'un chiffon propre et doux.

Conseils pour les vacances et les déménagements

Situation	Conseils
Vacances de courte durée	<ul style="list-style-type: none">• Laissez le réfrigérateur fonctionner si vous partez pour moins de trois semaines.• Consommez tous les aliments périssables qui se trouvent dans le réfrigérateur.• Éteignez la machine à glaçons et videz le bac, même si vous ne partez que pour quelques jours.
Vacances de longue durée	<ul style="list-style-type: none">• Si vous partez pour plus d'un mois, enlevez toute la nourriture et la glace de l'appareil.• Éteignez le système de refroidissement (reportez-vous à la section « Commandes » pour connaître l'emplacement de l'interrupteur) et débranchez le cordon d'alimentation.• Fermez le robinet d'arrivée d'eau.• Nettoyez soigneusement l'intérieur.• Laissez les deux portes ouvertes afin de prévenir les odeurs et l'accumulation de moisissure. Bloquez les portes en position ouverte, si nécessaire.
Déménagement	<ul style="list-style-type: none">• Enlevez toute la nourriture et la glace.• Si vous utilisez un chariot, chargez-le par le côté.• Placez les roulettes tout en haut pour les protéger durant le déplacement ou le déménagement.• Couvrez la caisse pour éviter d'égratigner la surface.

Remplacement des ampoules à DEL

Les balconnets du réfrigérateur et du congélateur sont équipés d'un éclairage LED sans entretien. Pour les remplacer, contactez un technicien agréé.

Solutions aux problèmes courants

Avant de faire appel au service après-vente

Si vous avez un problème avec votre réfrigérateur ou que vous remarquez un fonctionnement anormal de l'appareil, vous pouvez dans la plupart des cas, éviter d'appeler le service après-vente en consultant ce chapitre pour trouver une réponse à votre question. En commençant par le tableau ci-dessous, vous pourrez ainsi avoir accès à de l'information qui comprend les problèmes courants, leurs causes et les solutions suggérées.

Machine à glaçons automatique		
Problème	Cause possible	Solution courante
La machine à glaçons ne fabrique pas de glace.	<ul style="list-style-type: none"> La machine à glaçons est désactivée. Le réfrigérateur n'est pas raccordé à la conduite d'eau ou le robinet n'est pas ouvert. La conduite d'alimentation en eau est tordue. Le filtre à eau n'est pas bien installé. Il est possible que le filtre à eau soit obstrué par un corps étranger. Le robinet-vanne à étrier du tuyau d'eau froide est bouché ou partiellement obstrué par un corps étranger. 	<ul style="list-style-type: none"> Mettez la machine à glaçons en marche, abaissez le fil métallique du levier de signalisation. Raccordez l'appareil à l'alimentation en eau domestique et assurez-vous que le robinet est ouvert. Assurez-vous que le tuyau d'alimentation en eau n'est pas tordu quand vous poussez le réfrigérateur pour le remettre en place contre le mur. Retirez et réinstallez le filtre à eau. Assurez-vous de pousser fermement sur le filtre afin de l'entendre s'enclencher solidement en place. Si l'eau du distributeur coule lentement ou à peine, ou si le filtre est en place depuis six mois ou plus, il faut le remplacer. Fermez le robinet de la conduite d'eau domestique. Enlevez le robinet. Assurez-vous que le robinet n'est pas un robinet-vanne à étrier autopercuteur. Nettoyez le robinet. Remplacez le robinet, si nécessaire.
La machine à glaçons ne fabrique pas assez de glace.	<ul style="list-style-type: none"> La machine à glaçons produit moins de glace que la quantité à laquelle vous attendiez. Il est possible que le filtre à eau soit obstrué par un corps étranger. La conduite d'alimentation en eau est tordue. <p>Le robinet-vanne à étrier du tuyau d'eau froide est bouché ou partiellement obstrué par un corps étranger.</p> <ul style="list-style-type: none"> Trafic lourd, ouverture ou fermeture des portes excessivement. La commande du congélateur est réglée trop chaud (machine à glaçons du congélateur). La pression d'eau est extrêmement faible. Les pressions de coupure et de reprise sont trop faibles (systèmes à fontaine uniquement). Le système d'osmose inverse est en phase de régénération. 	<ul style="list-style-type: none"> Les machines à glaçons automatique chacune environ 0,9 à 1,1 kg (2 à 2,5 lb) de glace par période de 24 heures. Si le filtre est en place depuis six mois ou plus, il faut le remplacer. Assurez-vous que le tuyau d'alimentation en eau n'est pas tordu quand vous poussez le réfrigérateur pour le remettre en place contre le mur. Fermez le robinet de la conduite d'eau domestique. Enlevez le robinet. Assurez-vous que le robinet n'est pas un robinet-vanne à étrier autopercuteur. Nettoyez le robinet. Remplacez le robinet, si nécessaire. Appuyez sur Fast Freeze (congélation rapide) pour augmenter provisoirement le taux de production de glaçons. (Machine à glaçons du congélateur uniquement.) Régler la commande du congélateur à plus froid pour améliorer le rendement de la machine à glaçons (machine à glaçons du congélateur). Attendez 24 heures pour que la température se stabilise. Faire augmenter la pression de coupure et de reprise sur le système de pompe à eau (systèmes à fontaine uniquement). Il est normal pour un système d'osmose inverse d'être inférieure à 20 psi (1,4 bar) pendant la phase de régénération.
La machine à glaçons n'arrête pas de produire des glaçons.	<ul style="list-style-type: none"> Un article dans la congélateur s'appuie contre le fil métallique du levier de signalisation de la machine à glaçons et le maintient abaissé. 	<ul style="list-style-type: none"> Déplacez l'objet et dégarez le fil métallique du levier de signalisation. Enlevez les glaçons qui pourraient être soudés au fil métallique du levier de signalisation.
Les glaçons collent ensemble.	<ul style="list-style-type: none"> Les glaçons ne sont pas utilisés assez fréquemment. Les glaçons sont creux (des coquilles de glace contenant de l'eau qui n'est pas encore gelée). Les glaçons creux se brisent dans le bac et répandent de l'eau sur les glaçons qui s'y trouvent déjà, de sorte que les glaçons s'agglomèrent ensemble en gelant. 	<ul style="list-style-type: none"> Retirez le bac à glaçons et jetez les glaçons. La machine à glaçons produira de nouveaux glaçons. Pour que les glaçons ne collent pas les uns aux autres, il faut utiliser la machine à glaçons au moins deux fois par semaine. Ceci se produit en général quand la machine à glaçons ne reçoit pas suffisamment d'eau. Habituellement, ce problème est causé par un filtre à eau obstrué. Remplacez le filtre à eau.
Ouverture et fermeture des portes et des tiroirs		
Problème	Cause possible	Solution courante
Les portes ne ferment pas.	<ul style="list-style-type: none"> Le réfrigérateur n'est pas de niveau. Il oscille sur le plancher lorsque vous le bougez légèrement. Un objet est tombé de l'un des paniers et empêche la porte de se fermer. 	<ul style="list-style-type: none"> Assurez-vous que le plancher est solide, de niveau et qu'il peut supporter le poids du réfrigérateur de façon adéquate. Adressez-vous à un menuisier pour corriger l'affaissement ou la pente du plancher. Assurez-vous que le tiroir n'est pas bloqué par de la glace ou un aliment.
Les tiroirs sont difficiles à déplacer.	<ul style="list-style-type: none"> Les aliments touchent la dayette au-dessus du tiroir. Le tiroir est surchargé 	<ul style="list-style-type: none"> Rangez moins d'aliments dans le tiroir. Retirez ou redistribuez les aliments.

Solutions aux problèmes courants

Fonctionnement du réfrigérateur		
Problème	Cause possible	Solution courante
Le compresseur ne fonctionne pas.	<ul style="list-style-type: none"> Le système de refroidissement est arrêté. Un cycle de dégivrage est en cours. La fiche est débranchée de la prise murale. Les fusibles domestiques sont grillés ou le disjoncteur du circuit est déclenché. Panne de courant. 	<ul style="list-style-type: none"> Mettez le système de refroidissement en marche. Reportez-vous à la section « Commandes » pour connaître l'emplacement de l'interrupteur du système de refroidissement. Il s'agit d'une condition normale pour un réfrigérateur à dégivrage automatique. Le cycle de dégivrage a lieu de façon périodique et il dure environ 30 minutes. Assurez-vous que la fiche est bien enfoncée dans la prise. Vérifiez/remplacez le fusible temporisé de 15 A. Réinitialisez le disjoncteur du circuit. Vérifiez les lumières de la maison. Appelez la compagnie d'électricité.
Le réfrigérateur fonctionne trop souvent ou trop longtemps.	<ul style="list-style-type: none"> Votre compresseur à vitesse variable est conçu pour fonctionner à 100 % du temps sauf pendant le cycle de dégivrage. Tantôt il ira plus vite, tel qu'après un cycle de dégivrage 	<ul style="list-style-type: none"> Il est normal que le compresseur fonctionne continuellement, sauf durant le mode dégivrage.
Les afficheurs numériques de température clignotent.	<ul style="list-style-type: none"> Le système de commande électronique a détecté un problème de fonctionnement. 	<ul style="list-style-type: none"> Téléphonez à votre représentant du service après-vente qui pourra vous donner la signification des divers messages et des codes qui clignotent sur les afficheurs numériques.

Températures trop froides		
Problème	Cause possible	Solution courante
La température du congélateur est trop froide. La température du réfrigérateur est correcte.	<ul style="list-style-type: none"> La fonction de congélation rapide (Fast Freeze) est activée. La commande de la température du congélateur a été ajustée à un niveau trop bas. La machine à glaçons est activée. La fonction de fabrication rapide de glaçons (Fast Ice) est activée. 	<ul style="list-style-type: none"> Désactivez la fonction de congélation rapide. Ajustez la commande du congélateur à un réglage plus chaud. Allouez 24 heures pour permettre à la température de se stabiliser. Il est normal que le compartiment du congélateur refroidisse davantage lorsque la machine à glaçons est activée. Désactivez la fonction de fabrication rapide de glaçons.
La température du réfrigérateur est trop froide. La température du congélateur est adéquate.	<ul style="list-style-type: none"> La commande de la température du réfrigérateur a été réglée à un niveau trop bas. 	<ul style="list-style-type: none"> Ajustez la commande du réfrigérateur à un réglage plus chaud. Allouez 24 heures pour permettre à la température de se stabiliser.
Les aliments rangés dans les bacs gèlent.	<ul style="list-style-type: none"> La commande de la température du réfrigérateur a été réglée à un niveau trop bas. 	<ul style="list-style-type: none"> Reportez-vous à la solution donnée ci-dessus.
Les aliments rangés dans la Zone Froide gèlent	<ul style="list-style-type: none"> La commande de la température de la Zone Froide a été réglée à un niveau trop bas. 	<ul style="list-style-type: none"> Ajustez la commande de température de la zone de refroidissement à un réglage plus élevé. Pour que les viandes préservent le maximum de fraîcheur, celles-ci doivent être conservées à une température juste au-dessous du point de congélation. Il est normal de voir apparaître des cristaux de glace sur la viande à cause de sa teneur en humidité.

Présence d'odeurs dans le réfrigérateur		
Problème	Cause possible	Solution courante
L'intérieur est sale. Odeurs	<ul style="list-style-type: none"> L'intérieur doit être nettoyé. Il y a des aliments qui dégagent une forte odeur dans le réfrigérateur. 	<ul style="list-style-type: none"> Reportez-vous à la section « Conseils d'entretien et de nettoyage ». Couvrez bien les aliments. Le filtre à air peut avoir besoin d'être changé plus fréquemment si des aliments dégagent une forte odeur sont régulièrement conservés dans le réfrigérateur.

Solutions aux problèmes courants

Températures trop chaudes		
Problème	Cause possible	Solution courante
La température à l'intérieur du réfrigérateur/congélateur est trop chaude.	<ul style="list-style-type: none"> • Les portes sont ouvertes trop fréquemment ou trop longtemps. • La porte est légèrement ouverte. 	<ul style="list-style-type: none"> • De l'air chaud pénètre dans le réfrigérateur chaque fois que la porte est ouverte. Ouvrez la porte moins fréquemment. • Reportez-vous à la section « Problème », à la partie « Ouverture et fermeture des portes et des tiroirs ».
La température du congélateur est trop chaude. La température du réfrigérateur est correcte.	<ul style="list-style-type: none"> • Le réglage de la commande de la température du congélateur a été ajusté à un niveau trop élevé. 	<ul style="list-style-type: none"> • Ajustez la commande du congélateur à un réglage plus froid. Allouez 24 heures pour permettre à la température de se stabiliser.
La température à l'intérieur du réfrigérateur est trop chaude. La température du congélateur est adéquate.	<ul style="list-style-type: none"> • Le réglage de la commande du réfrigérateur est trop chaud. 	<ul style="list-style-type: none"> • Ajustez la commande du réfrigérateur à un réglage plus froid. Allouez 24 heures pour permettre à la température de se stabiliser.
La température dans le tiroir de la zone de refroidissement ou le tiroir Zone Froide est trop chaude (certains modèles).	<ul style="list-style-type: none"> • La commande de température est réglée à un niveau trop chaud. 	<ul style="list-style-type: none"> • Ajustez la commande de température à un réglage plus froid.

Présence d'eau/d'humidité/de givre à l'intérieur du réfrigérateur		
Problème	Cause possible	Solution courante
De l'humidité apparaît sur les parois intérieures du réfrigérateur.	<ul style="list-style-type: none"> • La température à l'extérieur est chaude et humide. • La porte est légèrement ouverte. • La porte est ouverte trop fréquemment ou trop longtemps. • Certains contenants sont ouverts. 	<ul style="list-style-type: none"> • L'accumulation de givre et d'humidité à l'intérieur de la caisse augmente. • Reportez-vous à la section « Problème », à la partie « Ouverture et fermeture des portes et des tiroirs ». • Ouvrez la porte moins souvent pour permettre à la température interne de se stabiliser. • Gardez les contenants fermés.
De l'eau s'accumule sur la surface intérieure du couvercle de tiroir.	<ul style="list-style-type: none"> • Les légumes laissent échapper l'humidité qu'ils contiennent. 	<ul style="list-style-type: none"> • La formation d'humidité sur le côté inférieur du couvercle est fréquente. • Ajustez la commande d'humidité (certains modèles) à un réglage plus bas.
De l'humidité s'accumule au fond du tiroir.	<ul style="list-style-type: none"> • Les fruits et les légumes lavés s'égouttent une fois déposés dans le tiroir. • Des fruits et des légumes sont conservés malgré qu'ils soient moins frais. 	<ul style="list-style-type: none"> • Asséchez les aliments avant de les déposer dans le tiroir. Une accumulation d'eau au fond du tiroir est normale. • Enlevez régulièrement les fruits et les légumes trop mûrs, particulièrement s'ils commencent à se détériorer.
De l'humidité apparaît à l'extérieur du réfrigérateur ou entre les portes.	<ul style="list-style-type: none"> • Le taux d'humidité à l'extérieur est élevé. • La porte est légèrement ouverte et l'air froid de l'intérieur du réfrigérateur rencontre l'air chaud de l'extérieur. 	<ul style="list-style-type: none"> • Ceci est normal si le taux d'humidité à l'extérieur est élevé. Lorsque les conditions météorologiques seront moins humides, l'humidité disparaîtra. • Reportez-vous à la section « Problème », à la partie « Ouverture et fermeture des portes et des tiroirs ».

Service après-vente

Si un SAV s'impose, appelez votre revendeur ou un centre de réparation agréé Marvel. Vous pouvez obtenir les coordonnées du centre de réparation agréé le plus proche auprès de votre revendeur ou distributeur.

Tenez-vous prêt à fournir les informations suivantes.

- Numéro de modèle
- Numéro de série
- Date d'achat
- Nom du revendeur où vous avez fait l'achat

Décrivez clairement le problème. Si vous ne pouvez pas obtenir les coordonnées d'un centre de réparation agréé le plus proche ou si vos problèmes persistent, contactez la Marvel au 1-800-223-3900 ou écrivez à :

Marvel Refrigeration
1260 E Van Deinse
Greenville, Michigan 48838 États-Unis

Notez les informations indiquées ci-dessous. Vous en aurez besoin pour tout service après-vente nécessaire. Le numéro de série et le numéro de modèle de votre réfrigérateur se situe sur la paroi supérieure, derrière l'éclairage :

N° de modèle _____ N° de série _____

Date d'achat _____ Date d'installation _____

Nom du revendeur _____

Adresse _____

Si le dépannage exige l'installation de pièces, utilisez uniquement des pièces agréées pour être sûr d'être couvert dans le cadre de la garantie.

Conservez ce manuel à titre de référence ultérieure.

Garantie limitée de Marvel Refrigeration

ENREGISTREMENT DE VOTRE PRODUIT

Pour enregistrer votre produit dans notre système de garantie, soumettez en ligne sur le site marvelrefrigeration.com. Conservez votre reçu, bon de livraison ou autre document approprié attestant du paiement afin d'établir la période de garantie si une intervention s'avérait nécessaire. En cas d'intervention, il est de votre intérêt d'obtenir et de conserver tous les reçus.

GARANTIE LIMITÉE DE 1 AN SUR PIÈCES ET MAIN-D'ŒUVRE

Pendant un an à compter de l'achat d'origine, cette garantie de produit Marvel couvre toutes les pièces et la main-d'œuvre nécessaires pour réparer ou remplacer toute partie du produit qui s'avérerait défectueuse du fait de matériaux ou d'exécution. Pour des produits installés et utilisés pour un usage domestique normal, des défauts cosmétiques sur les matériaux sont inclus dans cette garantie, mais avec une couverture limitée à 60 jours à partir de la date d'achat d'origine. Toute prestation de service fournie par Marvel dans le cadre de la présente garantie doit être effectuée par une entité de service agréée par l'usine Marvel, sauf spécification différente de Marvel. Le service sera fourni durant les heures ouvrées normales.

GARANTIE LIMITÉE DE 5 ANS SUR SYSTÈME SCÉLLÉ

Pendant cinq ans à compter de la date d'achat d'origine, Marvel réparera ou remplacera les pièces suivantes, main-d'œuvre non comprise, qui s'avéreraient défectueuses du fait de matériaux ou d'exécution : Compresseur, condenseur, évaporateur, déshydrateur, et toute la tubulure de rac-cordement. Toute prestation de service fournie par Marvel dans le cadre de la présente garantie doit être effectuée par une entité de service agréée par l'usine Marvel, sauf spécification différente de Marvel. Le service sera fourni durant les heures ouvrées normales.

TERMES DES GARANTIES

Ces garanties ne s'appliquent qu'à des produits utilisés dans un des cinquante États des États Unis d'Amérique, dans le District de Columbia, ou dans l'une des 10 Provinces du Canada. Ces garanties ne couvrent aucunement des pièces ou de la main-d'œuvre pour corriger un quelconque défaut causé par négligence, accident ou mésusage, entretien, installation, service, réparation, cas de force majeure, incendie, inondation ou catastrophes naturelles. Le produit doit être installé, utilisé et entretenu en conformité avec le Guide d'utilisation de Marvel.

Les remèdes décrits plus haut pour chaque garantie sont les seuls que Marvel délivrera, dans le cadre de ces garanties ou pour toute garantie découlant par force de loi. Marvel ne sera pas responsable de tous dommages annexes ou consécutifs venant d'une violation de ces garanties ou de n'importe quelle autre garantie, qu'elle soit explicite, implicite ou légale. Certains États ou Provinces ne permettent pas l'exclusion ou la limitation des dommages annexes ou consécutifs, de ce fait la limitation ou exclusion qui précède peut ne pas être applicable pour vous. Ces garanties vous donnent des droits légaux spécifiques, et vous pouvez avoir d'autres droits qui peuvent varier d'un État ou d'une Province à un(e) autre.

Toute garantie qui pourrait être implicite du fait de votre achat ou utilisation du produit, incluant toute garantie de valeur marchande ou d'adéquation à une finalité particulière, est limitée à la durée de ces garanties, et ne peut s'étendre pour cinq ans en durée pour les pièces décrites dans la section relative à la garantie de cinq ans qui précède. Certains États ou Provinces ne permettent pas de limitations sur la durée de garantie implicite, de ce fait les limitations qui précèdent peuvent ne pas être applicables pour vous

- Ces garanties ne s'appliquent que pour l'acheteur d'origine et ne sont pas transférables.
- Ces garanties couvrent des produits installés et utilisés iniquement pour un usage domestique normal.
- Ces garanties s'appliquent à des unités fonctionnant à l'extérieur uniquement si leur modèle et numéro de séries attestent qu'elles le peuvent.
- Les filtres à eau de remplacement, les ampoules d'éclairage et les autres pièces consommables ne sont pas couverts par ces garanties.
- Le commencement de l'obligation de Marvel est limité à quatre ans après la date d'expédition depuis Marvel.
- Une formation sur place sur la manière d'utiliser votre produit n'est pas couverte par ces garanties.
- La perte d'aliments, de boissons et de médicaments n'est pas couverte par ces garanties.
- Si le produit est placé dans une zone où l'entité de service agréée par l'usine Marvel n'est pas disponible, vous pouvez avoir à prendre en charge les frais de voyage, ou à apporter vous-même le produit à une de ces entités de service agréées.
- Les unités acquises après avoir servi comme produit d'exposition, et/ou certifiées comme étant reconditionnées, ne sont couvertes que par une garantie limitée d'un an, et ne bénéficient pas d'une couverture pour des défauts d'aspect.
- Les problèmes de signaux relatifs à une connectivité Wi-Fi ne sont pas couverts par ces garanties.

Pour des pièces de rechange ou de l'assistance technique, ou pour trouver une entité de service agréée par l'usine Marvel près de chez vous, contactez Marvel Refrigeration tto

MarvelRefrigeration.com • techsupport@MarvelRefrigeration.com • +1.800.223.3900
1260 E. Van Deine St., Greenville, MI 48838, USA

