

LED Pendant Series

Model: HRP

LED Pendant Light

D1 Fixtures

Safety Precautions

Read all safety precautions and installation instructions carefully before installing or servicing this fixture. Failure to comply with these instructions could result in potentially fatal electric shock and/or property damage.

It is recommended that a qualified electrician perform all wiring. This fixture must be wired in accordance with all national and local electrical codes.

Do not handle any energized fixture or attempt to energize any fixture with wet hands or while standing on a wet or damp surface or in water.

Make sure the power source conforms to the requirements of the fixture. (See labels on fixture housing)

D1 fixtures are designed for use in a 120 VAC, 60Hz fused circuit. The fixture is compatible with TRIAC (forward-phase or leading-edge) / ELV (reverse-phase or trailing-edge) dimming.

To reduce the risk of electrical shock, and to assure proper operation, this fixture must be adequately grounded. To accomplish proper grounding, there must be a separate ground wire (green) or bare metal contact (metal conduit) between this fixture and the ground connection of your main power supply panel. The green ground screw location is clearly marked on the fixture housing.

This fixture is intended for use for general indoor lighting in dry or damp locations only.

Assembly Instructions

1. Preparing for installation

- A. **Disconnect electrical power** before installing or servicing any part of this fixture.
- B. Remove light fixture, hardware, canopy and parts bag from carton.

2. Pendant Glass Assembly (Figure 1, 2 & 5)

- A. Uncoil cord, part of LED pendant inner glass assembly (14) and thread the loose end through outer glass (13), cap (12) & lower strain relief (6), per [Figure 1](#). Remove the tape from the nipple near rubber washer (16). Make sure threaded washer (15) is snug against the threaded insert of the swivel (11) and that none of the components are loose. Approx. 11/16" of the threaded nipple should protrude above (15) per [Figure 2](#). If adjustments are needed, hand tighten only.
- B. Carefully bring inner glass assembly (14) up into the outer glass (13) with rubber washer (16) against the inside top of outer glass (13), [Figure 2](#).
- C. You may set the outer glass on a table to do this step. Hold onto the cord allowing inner glass (14) to hang, as in [Figure 5](#). With the cap (12) on top of (13). There should be about 1/4" of threaded nipple above (12), [Figure 2](#). While holding the cord, thread the lower strain relief (6) onto the nipple. Make any adjustments so the inner and outer glass are centered. Lift entire glass assembly by the cord and check that the swivel is straight and the glass is hanging straight. Additional adjustments may be necessary. **If inner glass is not straight, go to step 6. Swivel Adjustment.**
- D. Insert the upper strain relief (6), threaded side up onto the cord, [Figure 1](#). Temporarily secure upper strain relief onto cord at desired height by tightening the plastic set screw with a small slotted screwdriver (not included).
- E. Feed the cord through the center hole of decorative canopy (5) and move it down to the upper strain relief (6) position.

3. Fixture Assembly (Figure 3 & 4)

- A. Thread the jam nut (8) onto the end of the coupling sub-assembly (with the longer nipple). Thread into the center hole of the isolation canopy (1) with lock washer (9) and jam nut (8) so the distance from bottom of (3) is no more than 1-1/2" from inside surface of (1) per [Figure 4](#).
- B. A strip of double sided adhesive tape is provided to affix the driver to the canopy. Affix tape to bottom of driver and driver to inside of canopy (5) without blocking any holes as in [Figure 3](#).
- C. Feed cord from pendant (14) with strain relief and decorative canopy into the bottom of coupling (3) and out the wire opening per [Figure 3 & 4](#).
- D. Route the pendant cord into the bottom of coupling (3) and out of the wire opening. Establish the length needed from the strain relief and tie a safety loop by the wire opening as shown in [Figure 3 & 4](#).
- E. Coil excess cord into canopy or cut and re-splice if necessary.
- F. Connect two pre-stripped wires from LED pendant (14) cord to the driver with two blue wire nuts as follows:
The (+) from (14) with a thin white stripe to the (+) red wire from driver.
The (-) from (14) to the (-) blue wire from driver.

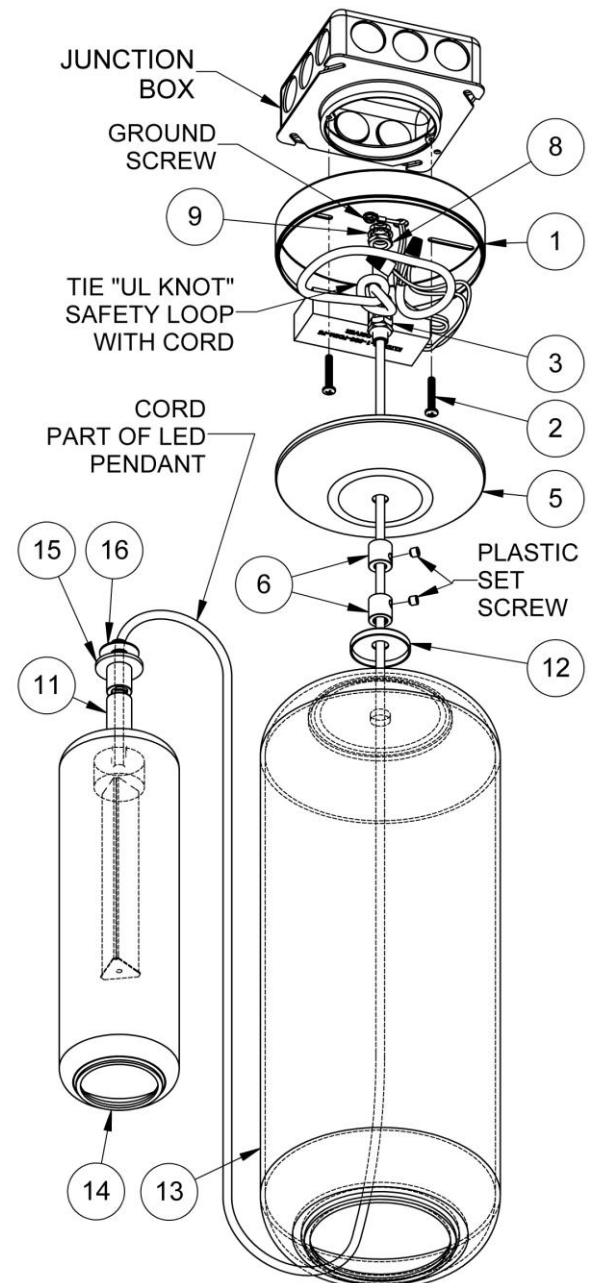


Figure 1

4. Fixture Mounting & Wiring-

All 120VAC wiring must take place inside junction box.

Caution: Make sure power is off at fuse or circuit breaker box. Check power wires for damage or scrapes. If power supply wires are within three inches of driver use wire suitable for at least 90C (194F). **Note:** Most dwellings built before 1985 have supply wire rated to 60C. Consult a qualified electrician before installing.

- A. Feed the black and white supply wires from the driver through the off-center hole in the isolation canopy (1).
- B. *This unit will not operate properly unless connected to a "grounded" electrical circuit. Electrical shock, overheating, low or no light output, and shortened lamp life can result if proper grounding is not done.* Securely attach green (or green and yellow) wire from supply to green ground screw in the isolation canopy (1).
- C. Observing wire color convention, connect (hot) supply wire to black driver lead. Connect white (common) supply wire to white driver lead. Secure with orange wire nuts. Pull on each wire lead to make sure connections are secure. Make certain no bare wire is exposed outside of wire nuts.
- D. Place isolation canopy with driver (1) over junction box with connected supply wires tucked inside of junction box. Secure to the junction box with two machine screws (2), making sure the isolation canopy is flush with the ceiling.
- E. Place decorative canopy (5), into the bottom of the hickey coupling (3) and over the lip of the isolation canopy (1), inserting any protruding wires so it will go on evenly all around.
- F. Thread upper strain relief (6) into the bottom of coupling (3). Hand tighten (6) securely and re-tighten the plastic set screw with a small slotted screwdriver (not included), Figure 4.

5. Restore power at the fuse or breaker box.

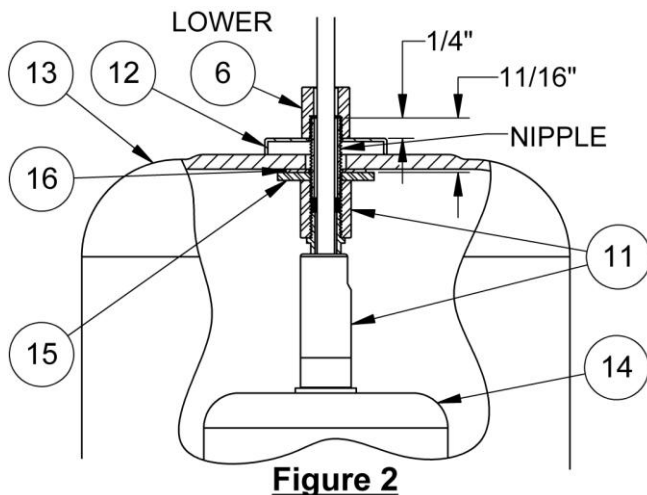


Figure 2

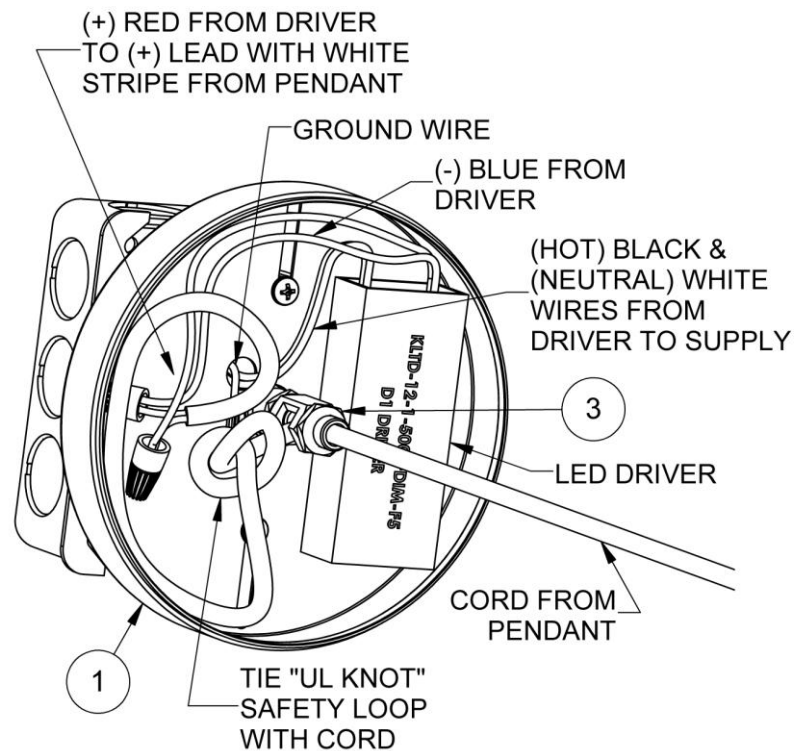


Figure 3

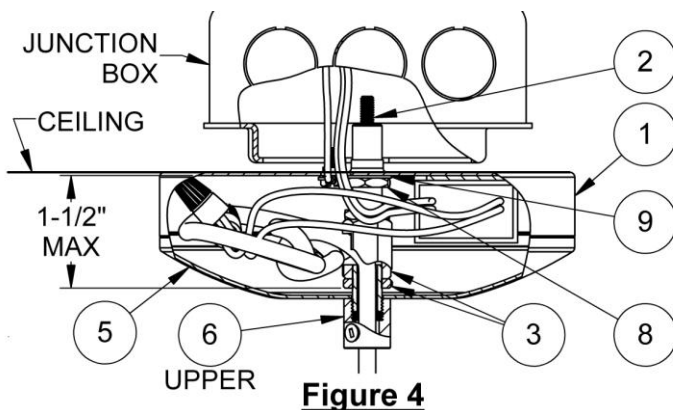


Figure 4

LED Pendant Series

Model: HRP

LED Pendant Light

D1 Fixtures

6. Adjusting Swivel (To align inner glass with outer glass)

- A. Inspect the top of the outer glass (13) to determine if there is a taper to the inside top surface as noted in [Figure 6](#), or if the inner glass (14) is skewed at an angle.
- B. Turn the inner glass assembly with swivel (11) so that the opening is facing the thickest part of the glass. [Figure 5, 6 & 7](#).
- C. Move (14) with swivel (11) slightly in the direction of swivel opening to align inner with outer glass. [Figure 6 & 7](#).
- D. Tighten (6) against cap (12) so that the whole assembly is snug.
- E. Tighten the plastic set screw against the cord with a small slotted screwdriver (not included).

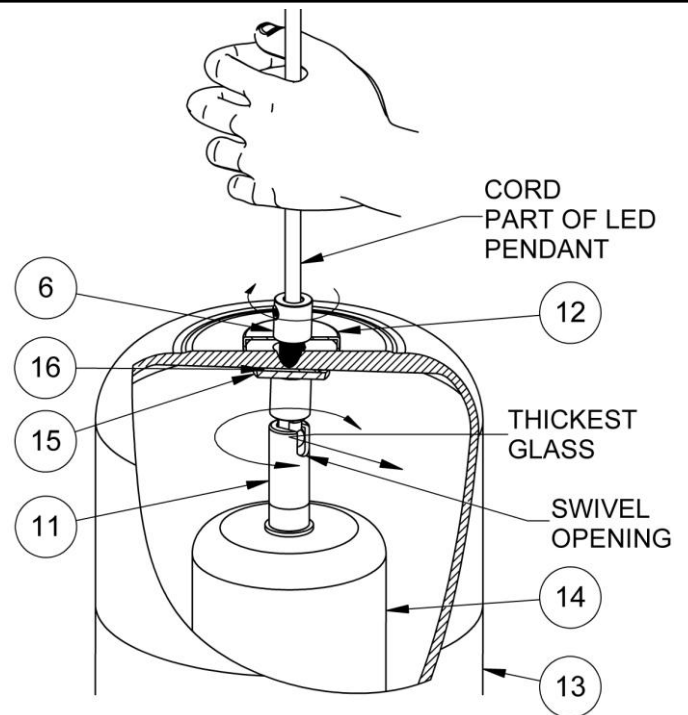


Figure 5

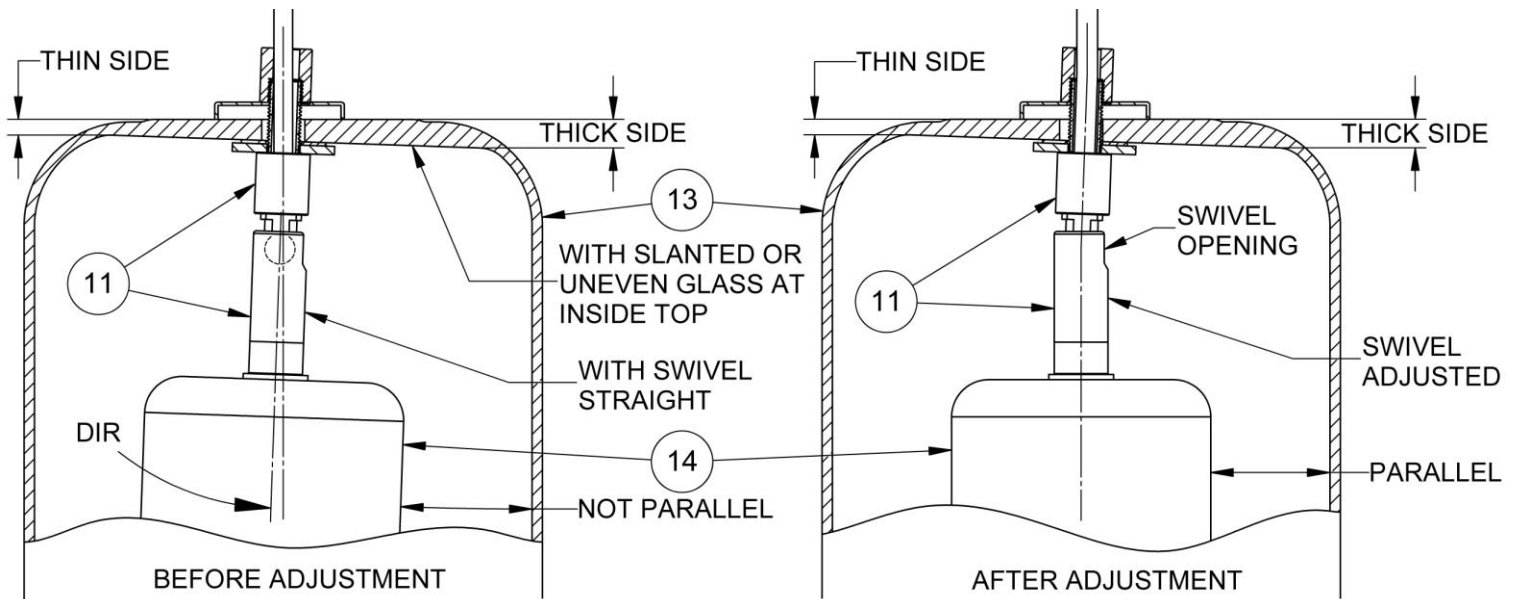


Figure 6

Figure 7

Limited Factory Warranty

AFX Inc. hereby warrants that this fixture is free from defects in materials and workmanship when installed and used under normal operating conditions for a period of 5 years from date of shipment from factory. This warranty covers all component parts and extends only to replacement of defective fixture or components; it does not cover failure due to improper installation, misuse, mishandling or damage incurred in transit.