

Pendant Series

ABP, ANP, MCP, OSP, RHP, SAP, WLP, APP

Cable Hung LED Pendants

120-277VAC 60Hz (D2)

Safety Precautions

Read all safety precautions and installation instructions carefully before installing or servicing this fixture. Failure to comply with these instructions could result in potentially fatal electric shock and/or property damage.

It is recommended that all wiring be performed by a qualified electrician. This fixture must be wired in accordance with all national and local electrical codes.

Do not handle any energized fixture or attempt to energize any fixture with wet hands or while standing on a wet or damp surface or in water.

This fixture is designed for use in a 120-277VAC, 60Hz fused circuit and can be used in conjunction with 0-10V dimmers.

Make sure that the power source conforms to the requirements of the fixture (see labels on fixture housing).

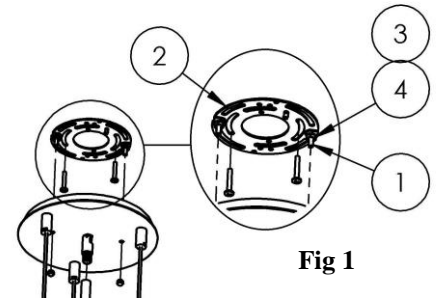
To reduce the risk of electrical shock, and to assure proper operation, this fixture must be adequately grounded. To accomplish proper grounding, there must be a separate ground wire (green or bare) or bare metal contact (metal conduit) between this fixture and the ground connection of your main power supply panel.

This fixture is intended to be used for general indoor lighting in dry or damp locations only.

Assembly Instructions

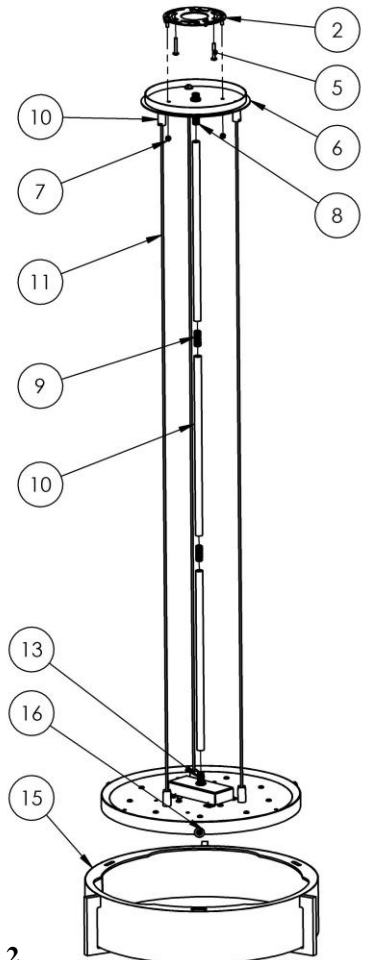
1. Preparing for Installation (Fig 1)

- Disconnect electrical power** before installing or servicing any part of this fixture
- Remove fixture and hardware bag from carton to verify content needed to fully assemble the pendant.
- Install the short screws (1) with lock washers (3) and hex nuts (4) into the offset holes of the round mounting bracket (2) as shown in Fig 1 & 2. Be sure the two screws (1) line up with holes in canopy (6) and point away from junction box (not included).
Note: The short screws may require adjustment to secure two barrel nuts (7) at the proper location.
- Install and secure the round mounting bracket assembly to the junction box in ceiling with the longer screws (5) provided, (Fig. 1).



2. Assembling Fixture (Fig 2)

- Feed three aircraft cables (11) to the connectors (12) that are mounted on the pan. Insert the cable by pressing the "Spring Pin" (12) (Fig. 3) downward and holding until it comes out at the other end. Repeat these steps for the other cables.
Note: Cable length adjustments might be needed again for the correct cord length and alignment.
- Insert fixture five power wires through stems (13, 10, 9, and 8) (Fig 2) up to the canopy (6).
- Before cutting the wires, measure the desired wire length for pendant mounting. Tighten all stems to secure the fixture to the canopy.



3. Wiring Fixture (Fig 2 & 3)

All wiring must take place inside junction box (not included).

Caution: Make sure power is off at fuse or circuit breaker box. Check power wires for damage or scrapes. If power supply wires are within three inches of driver, use wire suitable for at least 90C (194F). **Note:** Most dwellings built before 1985 have supply wire rated to 60C. Consult a qualified electrician before installing.

- This unit will not operate properly unless connected to a "grounded" electrical circuit. Electrical shock, overheating, low or no light output, and shortened lamp life can result if proper grounding is not done. Securely attached green (or green and yellow) wire to ground supply wire.
- For NEC (National Electrical Code) requirements, cut the cord about 7" above the canopy (6). Cut the cord outside jacket insulation about 3" from canopy (6) and then strip 3/8" from the ends of the three wires (13).
- Make all wire connections to appropriate wire. Secure with wire nuts (provided).
- Connect white fixture lead to white (N) wire from supply power source.
- Connect black fixture lead to black (L) wire from supply power source.
- Connect gray fixture lead to gray (0-10V) wire from supply power source.
- Connect purple fixture lead to purple (0-10V) wire from supply power source.
- Do not mix wires.** Pull on each wire lead to make sure connections are secure. Make certain no bare wires are exposed outside of wire connectors.
- Line up the two holes in the canopy (6) with the two screws in the round mounting bracket (2). Secure fixture to screws (1) with two barrel nuts (7).

Fig 2

Pendant Series

ABP, ANP, MCP, OSP, RHP, SAP, WLP, APP

Cable Hung LED Pendants

120-277VAC 60Hz (D2)

4. Adjusting Fixture Height (Fig 2 & 3)

- Adjust the aircraft cables up and down by pressing the "Spring Pin" (12) downward and holding until the proper cable length is attained.
- Repeat Step A for the other two cables. **Note: Extra cable length should be looped, tied, or cut to minimize light shadows within the diffuser (15).**

5. Mounting Diffuser (Fig 3 & 4)

- The diffuser (15) has three notches in its upper flange. Align these notches with the support spacers (16) (Fig 3) on the outside of the ceiling pan, and lift the diffuser slightly above the support spacers.
- Rotate the diffuser clockwise or counterclockwise slowly until three slots are engaged and secured with the support spacers.
- Twist slightly to ensure diffuser is secured and level with the ceiling pan.

6. Power can now be restored to the fixture

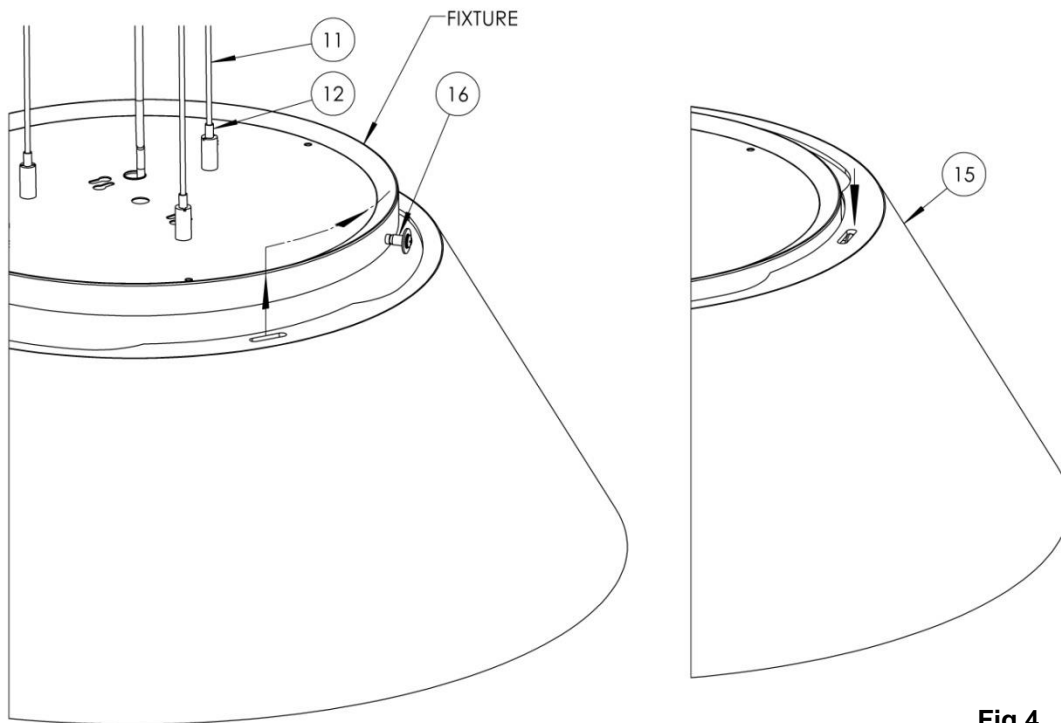


Fig 3

Fig 4

Ambrose model shown for reference only.
Individual models may vary.

Limited Factory Warranty

AFX Inc. hereby warranty that this fixture is free from defects in materials and workmanship when installed and used under normal operating conditions for a period of 5 years from date of purchase. This warranty covers all component parts and extends only to replacement of defective fixture or components; it does not cover failure due to improper installation, misuse, mishandling or damage incurred in transit.