

Safety Precautions

- Read all safety precautions and installation instructions carefully before installing or servicing this fixture. Failure to comply with these instructions could result in potentially fatal electric shock and/or property damage.
- It is recommended that a qualified electrician perform all wiring. This fixture must be wired in accordance with all national and local electrical codes.
- Do not handle any energized fixture or attempt to energize any fixture with wet hands or while standing on a wet or damp surface or in water.
- This fixture is designed for use in a 120VAC / 60Hz circuit.
- Make sure that the power source conforms to the requirements of the fixture. (See labels on the fixture housing).
- To reduce the risk of electrical shock, and to assure proper operation, this fixture must be adequately grounded. To accomplish proper grounding, there must be a separate ground wire (green) contact between this fixture and the ground connection of your main power supply panel.
- This fixture is intended to be used for general indoor lighting in dry or damp locations.

Assembly Instructions

Step 1 – Preparing for installation

- Disconnect electrical power** at fuse or circuit breaker box before installing or servicing any part of this fixture.
- Carefully remove the fixture from the carton, remove components from hardware kit.
- Install the channel (1) to the junction box (not included) using two screws (2) to secure it.
- Mark the locations of the four extra mounting holes on the ceiling. Take the channel (1) down and punch a small hole into the ceiling at each location using a nail or an awl to see if there is a wood joist. If there is a joist, use suitable wood screws (7) to mount the channel (1). Where there is no joist to screw into, use a wall anchor (6) to mount pan securely to the ceiling.

Step 2 – Installing pendants

- Install pendant to the cover plate (3) by pulling cord through the canopy strain relief (4). Tighten the strain relief screw when the cord is at the desired height. Repeat for each pendant.
 Note: Each cord is 108" long.
- Once all pendants are at their desired height, group all of the black pendant wires together along with an extra flying single black lead wire. This single lead will be used to connect to the power source in Step 3. Secure with wire nut (provided).
- Repeat Step 2B for all white pendant wires.

Wiring – All wiring must take place inside junction box (not included)

Caution: Make sure power is off at fuse or circuit breaker box. Check power wires for damage or scrapes. Use wire suitable for at least 90°C (194°F). **Note:** Most dwellings built before 1985 have supply wire rated to 60°C. Consult a qualified electrician to ensure correct branch circuit conductor before installing.

Step 3 – Wiring fixture

- Make all wire connections to appropriate wire. Secure with wire nuts (provided).
- Connect the green wire from the fixture to the supply source ground wire.
- Connect the black wire from the pendants to the black (L) wire from supply power source.
- Connect the white wire from the pendants to the white (N) wire from supply power source.
- Do not mix wires.** Pull on each wire lead to make sure connections are secure. Make certain no bare wires are exposed outside of wire connectors. Tuck all connections neatly into the junction box.

Step 4 – Installing cover plate

- Align the mounting holes on the fixture plate with the two screws on the fixture channel (1) and use two finials (5) to secure it.

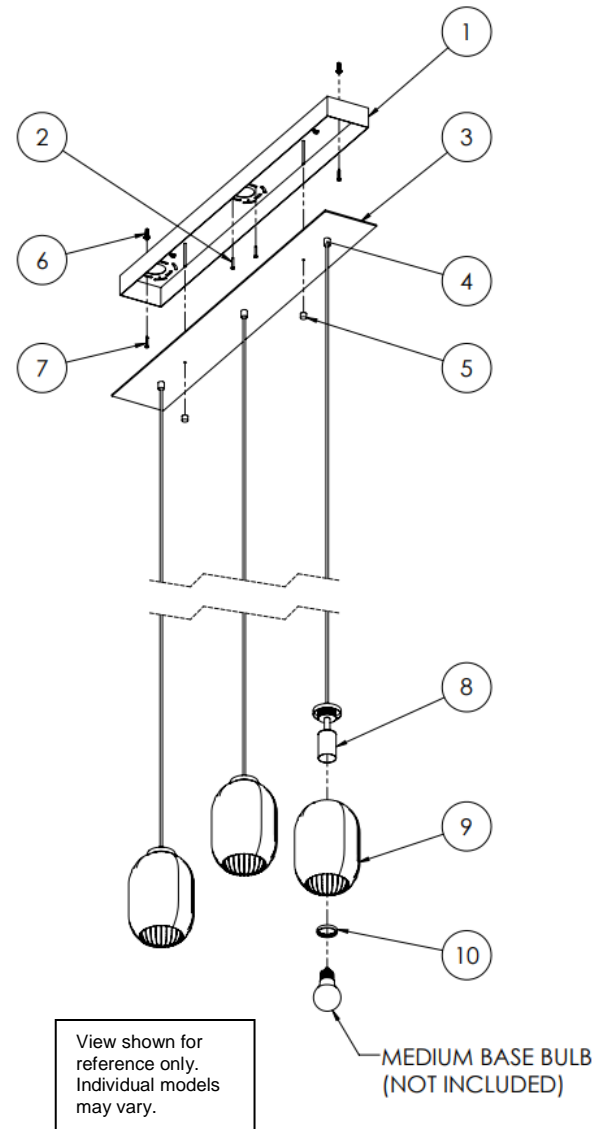
Step 5 – Installing diffusers

- Slide glass diffuser (9) over the socket assembly (8) and use the fastener (10) to secure the diffuser in place. Note: Do not over tighten as it may cause chipping of the glass.

Step 6 – Lamping

- Install medium base bulb (E26, 60W max – not included) into each socket and turn clockwise until secured.

Step 7 – Restore power at fuse or circuit breaker box



Limited Factory Warranty

AFX Inc. hereby warrants that this fixture is free from defects in materials and workmanship when installed and used under normal operating conditions for a period of 5 years from date of purchase. This warranty covers all component parts and extends only to replacement of defective fixture or components; it does not cover failure due to improper installation, misuse, mishandling or damage incurred in transit.