

# Medium Base Pendant Luminaire

## Surface Mount

### 120VAC / 60Hz

Model # SSP, SPP, NIP

## Safety Precautions

- Read all safety precautions and installation instructions carefully before installing or servicing this fixture. Failure to comply with these instructions could result in potentially fatal electric shock and/or property damage.
- It is recommended that a qualified electrician perform all wiring. This fixture must be wired in accordance with all national and local electrical codes.
- Do not handle any energized fixture or attempt to energize any fixture with wet hands or while standing on a wet or damp surface or in water.
- This fixture is designed for use in a 120VAC. Dimming will depend on the lamp purchased. (Lamps are not included.)
- To reduce the risk of electrical shock, and to assure proper operation, this fixture must be adequately grounded. To accomplish proper grounding, there must be a separate ground wire (green) contact between this fixture and the ground connection of your main power supply panel.
- This fixture is intended to be used for general indoor lighting in dry or damp wet locations.
- Disclaimer

Changes or modifications not expressly approved by the party responsible for compliance could void the user's authority to operate the equipment. NOTE: This equipment has been tested and found to comply with the limits for a Class B digital device, pursuant to Part 15 of the FCC Rules and Canadian ICES-005 (B) / NMB-005 (B). These limits are designed to provide reasonable protection against harmful interference in a residential installation. This equipment generates uses and can radiate radio frequency energy and, if not installed and used in accordance with the instructions, may cause harmful interference to radio communications. However, there is no guarantee that interference will not occur in a particular installation. If this equipment does cause harmful interference to radio or television reception, which can be determined by turning the equipment off and on, the user is encouraged to try to correct the interference by one or more of the following measures:

- Reorient or relocate the receiver antenna.
- Increase the separation between the equipment and receiver.
- Connect the equipment into an outlet on a circuit different from that to which the receiver is connected.
- Consult with the dealer or an experienced radio/TV technician for help.

Any modifications to this fixture may void the warranty and interfere with the safe operation of the luminaire.

Operation is subject to the following two conditions: (1) this device may not cause interference, and (2) this device must accept any interference, including interference that may cause undesired operation of the device

## Assembly Instructions

### 1. Preparing for installation-

- A. **Disconnect electrical power** before installing or servicing any part of this fixture.
- B. Remove light fixture, hardware, canopy and parts bag from carton.
- C. Adjust length of cord to desired height by holding gem bar (3) to ceiling and adjusting cord to get the required height.
- D. Once height of Pendant is as desired. Adjust plastic UL knot component (1) to the top side of threaded stem (2) to lock into place.

### 2. Fixture Mounting & Wiring-

#### All 120VAC wiring must take place inside junction box.

**Caution:** Make sure power is off at fuse or circuit breaker box. Check power wires for damage or scrapes. If power supply wires are within three inches of driver use wire suitable for at least 90C (194F). **Note:** Most dwellings built before 1985 have supply wire rated to 60C. Consult a qualified electrician before installing.

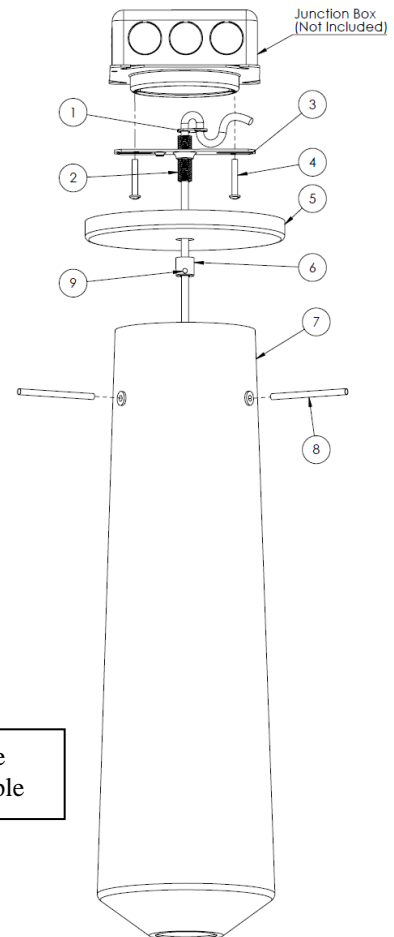
- A. Mount gem bar (3) to junction box (not provided) using the two screws (4) provided, flush to the ceiling.
- B. Connecting wires: connect incoming Hot from Junction box to the hot wire with black strip in the clear cord coming from the fixture. Connect Neutral wire from junction box to the clear wire coming from fixture. Ground fixture using the green wire from fixture connecting to ground from Junction box.
- C. Place canopy (5) over junction box tucking wires into canopy then thread on the strain relief cap (6) making sure the canopy is flush to the ceiling.
- D. Tighten plastic setscrew (9) in strain relief cap (6) using a flat head screwdriver. Just make snug and do not over tighten, as it will strip out the setscrew.

**Note: Spun fixture Lamping (Not included) needs to be installed prior to the glass.**

- E. Slide pendant glass (7) over medium base socket. Using the 3 pcs of stem arms (8) slide through holes in glass, threading them one at a time until the weight of the glass is resting on all 3 of the stems.

### 3. Insert desired Medium base lamp.

### 4. Restore power at the fuse or breaker box.



### Limited Factory Warranty

AFX Inc. hereby warranty that this fixture is free from defects in materials and workmanship when installed and used under normal operating conditions for a period of 5 years from date of shipment from factory. This warranty covers all component parts and extends only to replacement of defective fixture or components; it does not cover failure due to improper installation, misuse, mishandling or damage incurred in transit.

**MB Pendant Series**  
**Pendant Ceiling Mount**  
**120VAC / 60Hz**

**Model #**