

Indoor Portable Lamp

Model: INS4001SN

Fluorescent Wall Sconce with LED Reading Light

120VAC / 60Hz

Safety Precautions

Read all safety precautions and installation instructions carefully before installing or servicing this fixture. Failure to comply with these instructions could result in potentially fatal electric shock and/or property damage.

It is recommended that a qualified electrician perform all wiring. This fixture must be wired in accordance with all national and local electrical codes.

Do not handle any energized fixture or attempt to energize any fixture with wet hands or while standing on a wet or damp surface or in water.

Make sure that the power source conforms to the requirements of the fixture. (See labels on fixture housing).

Injury to persons and damage to the mounting surface may result if the fixture or mounting hardware is pulled from the mounting location. To reduce the possibility of such injury, be sure to mount the fixture only on a surface that is structurally sound. (See Mounting Instructions).

This portable lamp has a grounded 3-prong plug. As a

safety feature, this plug will fit into a grounded 110-120v electrical outlet only one way. If the plug does not fit fully and securely into the outlet, or if your outlet is not grounded, contact a qualified electrician to install the correct outlet. Do not attempt to remove or bend the third prong. Never use a 3-prong adapter or extension cord unless the fixture plug can be properly inserted into the adapter or extension cord, and the adapter or extension cord can be properly inserted and grounded into the electrical outlet. Do not attempt to modify or defeat this safety feature.

Protect power cord from coming into contact with sharp objects, oil, grease, hot surfaces, or chemicals.

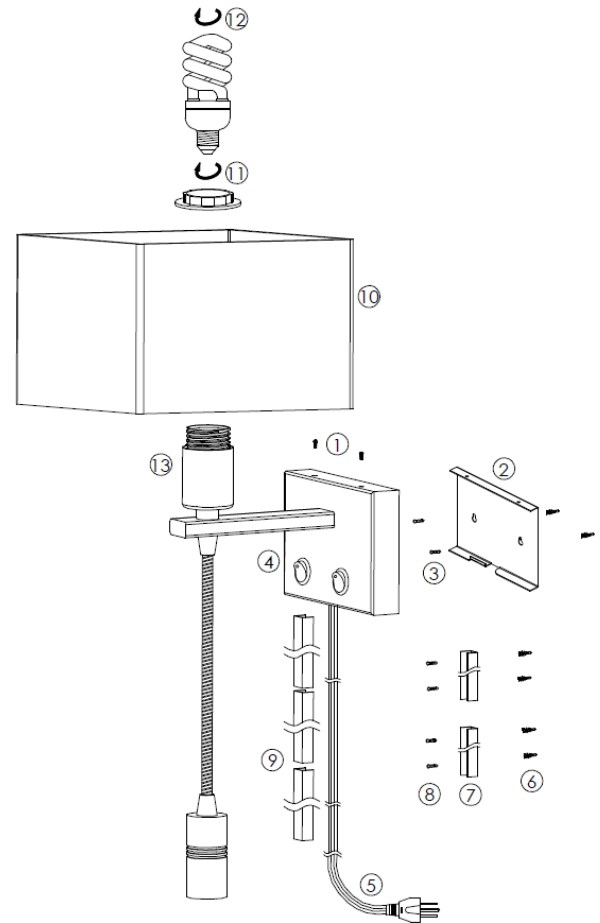
Cautions:

- NOT FOR USE WITH DIMMER SWITCH OF ANY KIND
- FOR INDOOR DRY LOCATION ONLY
- DO NOT INSTALL OVER A HEAT SOURCE
- DO NOT INSTALL DIRECTLY OVER WATER
Such as: fish tanks, sinks, laundry tubs etc.

This fixture is intended to be used for general indoor lighting in dry locations only.

Installation Instruction

1. Carefully remove the fixture from the carton, and check that all parts are included, as shown in figure. Be careful not to misplace any of the screws or parts which are needed for installing the fixture.
2. Remove square gem bar (2) from the fixture base by removing two screws (1).
3. Select suitable wall location (within 5ft from the power outlet) that can support the weight of the fixture. When mounting from drywall or wall board, plastic anchors (included) are recommended.
Note: The portable fixture is equipped with 8 ft cord/3-prong plug.
4. Install square gem bar (2) on the wall location by securing it with two screws (3) and wall anchors (6) if needed.
5. Install fixture cover (4) on the square gem bar (2) with two screws (1).
6. Install the two 10" cable rail (7) on the wall with screws (8) (and wall anchors (6) if needed) on a location where the cable rail (7) top edge is 7" from square gem bar (2). **Note:** Install the two cable rail (7) on a location where you will be able to install/snap the three rail covers (9) securely.
7. Install and snap to secure the three 12" cable rail cover (9) on the two 10" cable rail (7).
8. **Shade** -To install the shade assembly (10), align and lay the center of the shade support frame to the lamp holder base (13) and secure with lamp holder circular nut (11).
9. **Lamp** -Install lamp (not included) 13watt Edison (screw type) base. Insert and screw-in counterclockwise until it stops into the lamp holder base (13).
10. Connect cord plug (5) to a standard 120v grounded outlet.



Limited Factory Warranty

American Fluorescent Corporation warrants this fixture is free from defects in materials and workmanship when installed and used under normal operating conditions for a period of 2 years from date of purchase. This warranty covers all component parts and extends only to replacement of defective fixture or components; it does not cover failure due to improper installation, misuse, mishandling or damage incurred in transit