

# Decorative Linear Series

Model: ATL, ATLF, SLF, SLL, ZUF, ZUL

# LED Ceiling Mount Fixture

## Safety Precautions

Read all safety precautions and installation instructions carefully before installing or servicing this fixture. Failure to comply with these instructions could result in potentially fatal electric shock and/or property damage.

It is recommended that all wiring shall be performed by a qualified electrician. This fixture must be wired in accordance with all national and local electrical codes.

Do not handle any energized fixture or attempt to energize any fixture with wet hands or while standing on a wet or damp surface or in water.

This fixture is designed for use in a 120VAC, 60Hz fused circuit.

Make sure that the power source conforms to the requirements of the fixture. (See labels on fixture housing.)

To reduce the risk of electrical shock, and to assure proper operation, this fixture must be adequately grounded. To accomplish proper grounding, there must be a separate ground wire (green) or bare metal contact (metal conduit) between this fixture and the ground connection of your main power supply panel. The green ground screw location is clearly marked on the fixture housing.

This fixture is intended for use for general indoor lighting in dry or damp locations only.

## Assembly Instructions

### 1. Preparing for installation.

- Disconnect electrical power before installing or servicing this fixture.
- Carefully remove the fixture from the carton.
- Remove center knockouts on mounting channel (1) for supply power source.

### 2. Install Mounting Channel.

- Temporary secure mounting channel (1) to the junction box (not included) with two screws (2) and mark two outer slots for required additional support locations. Remove the channel and drill a 1/16" dia. pilot hole in the ceiling at each of the locations marked. Reinstall mounting channel to junction box with two screws. Using wood screws (not included) if going into wood joist behind the drywall or use 3/16" toggle bolt (not included and required drywall to be predrilled to recommended hole size per toggle bolt manufacturer) if there is no joist at that drilled location. Ensure mounting channel is securely fastened to the ceiling.

### 3. Wiring.

**Caution:** Make sure power is off at fuse or circuit breaker box. Check power wires for damage or scrapes. If power supply wires are within three inches of ballast use wire suitable for at least 90°C (194°F). **Note:** Most dwellings built before 1985 have supply wire rated to 60°C. Consult a qualified electrician before installing.

- This unit will not operate properly unless connected to a "grounded" electrical circuit. Electrical shock, over heating, low or no light output, and shortened LED life can result if proper grounding is not done. Connect the power source ground wire to the green or bare copper wire from the fixture assembly.
- Using wire nuts (provided), connect white (Common) supply power wire to white fixture lead. Connect black (Hot) supply power wire to black fixture lead. **Do not mix wires.** Pull on each wire lead to make sure connections are secure. Make certain no bare wires are exposed outside of wire connectors. Tuck all connections neatly into junction box.

### 4. Install Fixture Housing Frame.

- Suspend the frame (4) to the frame mounting channel (1) by hooking lanyards, provided (5), to the bent tabs of the mounting channel (1).
- Connect the driver plug to the plug coming from the LED panel on the frame (4), by inserting and twisting quarter turn clockwise to lock.
- Install frame (4) onto the frame mounting channel (1) by slipping the two pronged metal tab on the frame (6) into the two cutouts on the mounting channel (1), swing frame up to ceiling and secure with 36mm long screw (7), see Figure 2. Ensure fixture housing is securely fastened to mounting channel.

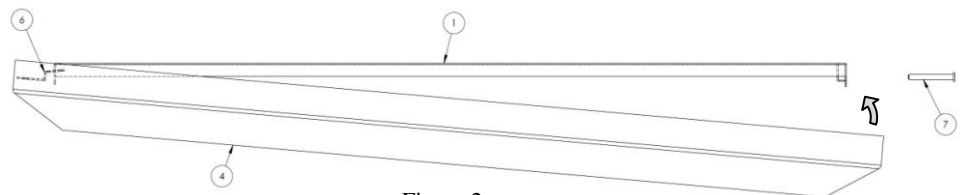
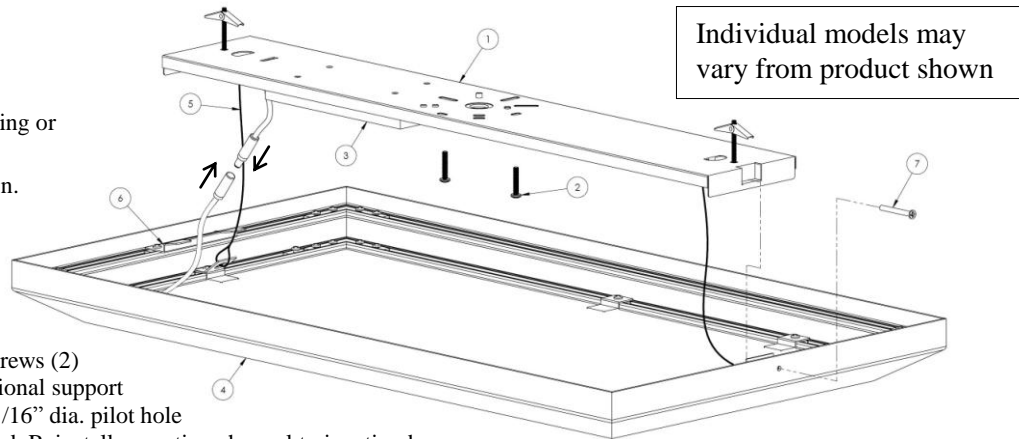


Figure 2

### 5. Restore power at fuse or circuit breaker box.

#### Limited Factory Warranty

AFX warrants this fixture is free from defects in materials and workmanship when installed and used under normal operating conditions for a period of 5 years from date of purchase. This warranty covers all component parts and extends only to replacement of defective fixture or components; it does not cover failure due to improper installation, misuse, mishandling or damage incurred in transit.