



LOCATION		DATE
PREPARED BY		QUANTITY
COMMENTS		FIXTURE TYPE
CATALOG NUMBER		

Fulton LED Sconce FTS Series

Features

This modern design provides a dramatic look and features high quality LEDs. Ideal use in hallways, entrances, restrooms and anywhere general lighting is needed. Provides lighting in residential, commercial, and hospitality applications. Mounts vertical or horizontal. Fixture mounts to rectangular 2" x 4" wall box (not included).

Construction

Fabricated metal housing. Backplate is die formed 22-gauge steel and painted.

Finish

All exposed metal is painted white or black powder coated finish.

Diffuser

White acrylic.

Electrical

This unit is direct wired with a constant current LED driver rated for 120VAC. Compatible with residential TRIAC and ELV dimming.

Lamping

Fixture includes an LED module producing:
 15.5W = 1200 source lumens
 23W = 1800 source lumens
 Rated for 50,000 hrs., 90 CRI
 3000K (CCT)

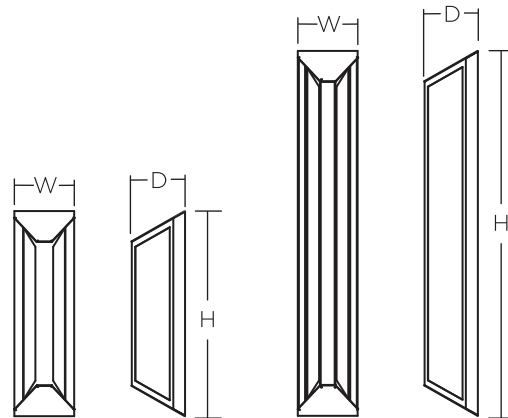
Certification

cETLus certified for damp locations.
 ADA

Warranty

Limited warranty: This fixture is free from defects in materials and workmanship for a period of 5 years from date of purchase.

Specifications and dimensions
 subject to change without notice.



Ordering Information:

White	Black	LED	Lumens	CCT	H	W	D
FTS4141200L30D1WH	FTS4141200L30D1BK	15.5W	1200	3000K	13-1/2"	4"	3-1/2"
FTS4241800L30D1WH	FTS4241800L30D1BK	23W	1800	3000K	24"	4"	3-1/2"