

# NXL SERIES

Models 120, 220, 320, 420, & 520

Line Voltage Xenon Undercabinet Fixtures  
Interconnectable / Cord or Direct Wire

## Safety Precautions

Read all safety precautions and installation instructions carefully before installing or servicing this fixture. Failure to comply with these instructions could result in potentially fatal electric shock and/or property damage.

It is recommended that a qualified electrician perform all wiring. This fixture must be wired in accordance with all national and local electrical codes.

Do not handle an energized fixture or attempt to energize any fixture with wet hands or while standing on a wet or damp surface or in water.

Make sure that the power source conforms to the requirements of the fixture. (See labels on fixture housing).

To reduce the risk of electrical shock, and to assure proper operation, this fixture must be adequately grounded.

## Lighted lamp is HOT!

Bulb gets HOT quickly! Do not touch hot lens or enclosure.

**Do not touch bare lamp with your bare skin.** Oils from your skin may damage the lamp when it heats up.

**12-inch minimum spacing** distance from glass required for all objects located under fixture.

## For NXL Series Model No's::

Do not interconnect more than 560 watts

**Example:** 560 watts (28 lamps x 20w)

Use only a 120V/20W or smaller Xenon bulb (bi-pin Base Only).

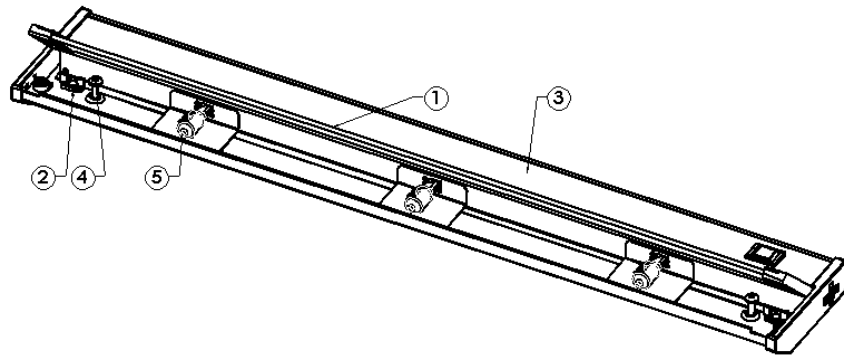
This fixture is to be used for general indoor lighting in dry locations only.

**Dimming:** This unit **can** be dimmed with a standard incandescent wall dimmer.

## Assembly Instructions

### 1. Preparation for Installation

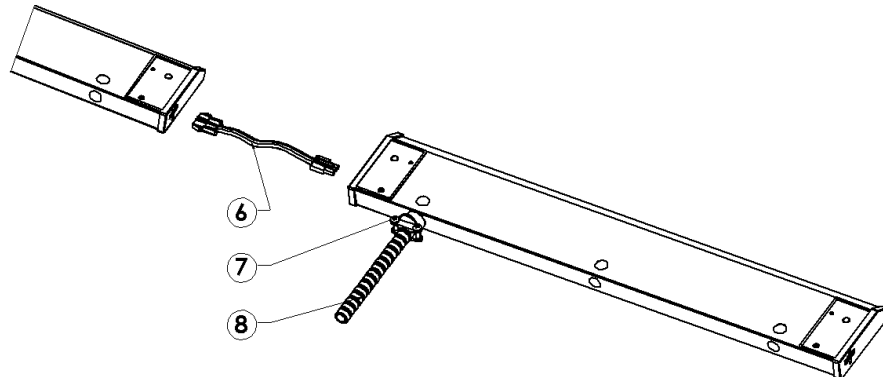
- Disconnect electrical power** before installing or servicing any part of this fixture.
- Place fixture on a clean flat surface with lens (1) towards you.
- Open (1) glass lens by lifting both hinge tabs at each end
- If (5) lamps are not installed and packed separately, carefully put aside for later use. (**DO NOT TOUCH LAMP** glass with bare hands, oils from your skin may damage lamp when it heats up.)
- Determine input power method (Hardwire, Cord or Link) below and follow corresponding directions.



### 2. Cord to Outlet Installation

(Skip this step if using Hardwire or Link to Fixture Installation)

- Fixture must be mounted within 5' of an outlet. Locate the 5' power cord included in the box.
- Connect Cord to fixture by snapping the quick connect end of the cord to the corresponding connector in the end of the fixture marked "IN". The cord will only connect to the "IN" connector so make sure you have the right connector identified. Do not force the connection, it should snap in easily.
- Follow the directions for Mounting and Lamping below.
- Once Mounting and Lamping are completed, plug the cord into the outlet.



### 3. Hardwire Installation Preparation

(Skip this step if using Cord to Outlet or Link to Fixture Installation to Power Unit)

- Discard Cord if Hardwire Installation is used.**
- Open cover (3) by squeezing to disengage it from the (2) retaining tabs of the housing. Rotate it 90°.
- Remove the 1/2" diameter knock-out for supply wiring entry.
- Determine appropriate cable and mounting parts:
  - Cable connector (7) is included.
  - BX(AC) 3/8" trade size cable (8) (not included).
  - Anti-short bushing (not included).
- Insert the cable connector into the housing open hole. Secure it with the nut.

# NXL SERIES

## Line Voltage Xenon Undercabinet Fixtures

Models 120, 220, 320, 420, & 520

Interconnectable / Cord or Direct Wire

- F. Determined the length of (8) BX cable and add about 8”(td) for the stripping purposes. Cut the required length of the cable. Trim away the insulation. Push the exposed wires (hot, neutral and ground) through the anti-short bushing and slide this bushing all the way down to the exposed wires until it is snug up against the armor.
- G. Attach BX cable to the housing with a (7) cable connector. Secure the connection with a clamp.
- H. Follow the directions below for Mounting then proceed to Hardwire Installation Completion.

### 4. Link to Fixture Installation

(Skip this step if using Hardwire or Cord to Outlet Installation.)

- A. First fixture can be Corded or Hardwired
- B. Second fixture must be located within 12” of first fixture.
- C. A **Maximum of 560 Total Watts** can be Linked. (28 Lamps x 20Watts = 560 Total Watts)
- D. Make sure power is off to all fixtures.
- E. Connect the Linking cord (6) to the “Out” connector in the first fixture and to the “In” connector of the second fixture. The connectors only fit one way. Do not force the connections they should snap in easily.
- F. Follow directions in Mounting and Lamping Section.
- G. Once Mounting and Lamping are completed, energize first fixture.

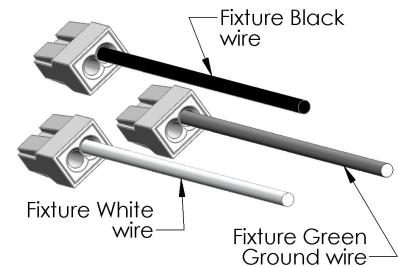
**Note:** Injury to persons and damage to the mounting surface may result if the fixture or mounting hardware is pulled from the mounting location. To reduce the possibility of such injury, be sure to mount the fixture only on a surface that is mechanically, structurally sound.

### 5. Mounting

- A. Using captive screw hole locations for mounting the fixture, position the fixture in location intended for mounting. Mark hole locations by using the screw-holes as a guide. Drill suitable holes in the marked positions. Mount the housing to desired surface with the (4) captive screws .

### 6. Hardwiring Installation Completion

- A. Connect the Green ground input supply wire to the fixture Green ground wire. Do this by inserting it into the open hole in the push-in wire connector (included) that is attached to the Green ground wire in the fixture.
- B. Connect the White input supply wire to the fixture White wire. Do this by inserting it into the open hole in the push-in wire connector (included) that is attached to the White wire in the fixture.
- C. Connect the Black input supply wire to the fixture Black wire. Do this by inserting it into the open hole in the push-in wire connector (included) that is attached to the Black wire in the fixture. **Do not mix wires or change polarity.**
- D. Pull on each wire lead to make sure connections are secure. Make certain no bare wires are exposed outside of the wire connectors.
- E. To close cover- Carefully arrange wires so they do not get pinched and rotate cover against channel. Secure cover under housing lances.
- F. Proceed to Lamping Instructions below.



### 7. Lamping

- A. **DO NOT TOUCH BARE LAMPS WITH BARE HANDS.** Oils from your Skin may damage the lamp when it heats up.
- B. Remove lamp from box. Hold the lamp by the Pins or with the use of a protective plastic cover (a glove or a plastic bag work well).
- C. Install lamps by pushing straight into sockets. Adjust lamp(s) as needed to not touch lens.
- D. Replace glass lens by sliding it back into housing until it fully seats within the housing

### 8. Lamp Removal

- A. Allow lamp to cool before handling.
- B. Remove the lamp by grasping and pulling straight out from the lamp socket.
- C. See the label on the fixture for replacement lamp type information. Maximum 20 watts (BI-PIN base) 120volt Xenon lamp.

**Limited Factory Warranty** - AFX hereby warranty that this fixture is free from defects in materials and workmanship when installed and used under normal operating conditions for a period of 2 years from date of purchase. This warranty covers all component parts and extends only to replacement of defective fixture or components; it does not cover failure due to improper installation, misuse, mishandling or damage incurred in transit. This Warranty does not cover normal lamp replacements.