



Outdoor LED Flush Mount OCFW70050LBK

Features

All purpose LED Flush mount is an energy saving long-lasting alternative to Incandescent. Uses only 10.5 watts of power to operate. Excellent use in cold climates. LEDs turn on instantly at full brightness and are cool running. Ideal use for security and general lighting. Provides lighting in residential, commercial, retail and hospitality applications.

Construction

Housing is fabricated metal assembly. Made from 22-gauge aluminum.

Finish

All exposed metal surface area is painted black finish.

Diffuser

Frosted glass panels.

Electrical

This unit is wired for 120VAC/60 Hz. operation. Low voltage LED driver is rated for 12VAC output to the LED light engine.

Lamping

35,000 hr. long life non-replaceable LEDs produce 700 fixture lumens. 5000K color temperature.

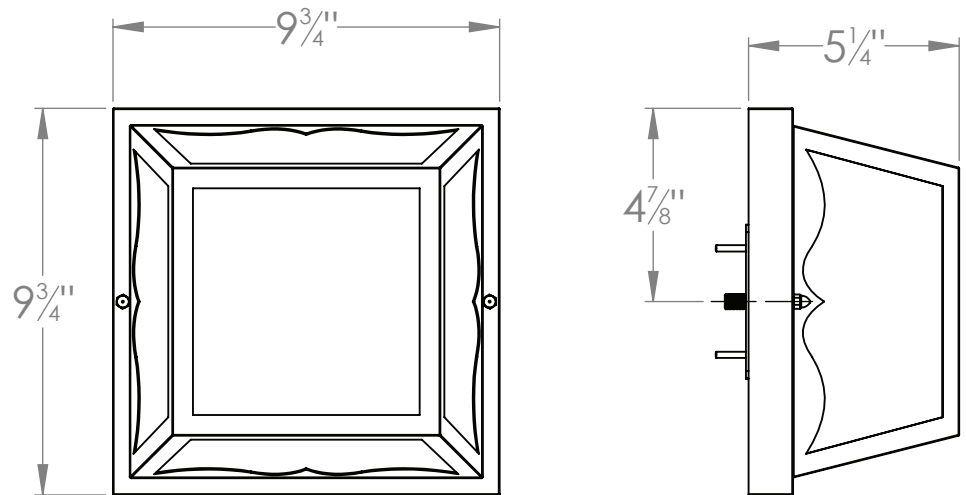
Certification

cETLus certified for damp locations.

Warranty

Limited warranty: This fixture is free from defects in materials and workmanship for a period of 3 years from date of purchase.

LOCATION		DATE
PREPARED BY		QUANTITY
COMMENTS		FIXTURE TYPE
CATALOG NUMBER		



Ordering Information:

Model No.	Finish	LED	D	W(SQ)
OCFW70050LBK	Black	10.5W	5-1/4"	9-3/4"

Specifications and dimensions subject to change without notice.