

Safety Precautions

Read all safety precautions and installation instructions carefully before installing or servicing this fixture. Failure to comply with these instructions could result in potentially fatal electric shock and/or property damage.

It is recommended that a qualified electrician perform all wiring. This fixture must be wired in accordance with all national and local electrical codes.

Do not handle any energized fixture or attempt to energize any fixture with wet hands or while standing on a wet surface.

This fixture is designed for use in a 110-277VAC, 60Hz fused circuit. Do not use on a dimming circuit.

To reduce the risk of electrical shock, and to assure proper operation, this fixture must be adequately grounded. To accomplish proper grounding, there must be a separate ground wire (green) or bare metal contact (metal conduit) between this fixture and the ground connection of your main power supply panel.

This fixture is intended to be used for general outdoor lighting in wet locations, mounted at least 4' above ground level.

Assembly Instructions

1. Preparing for installation

- A. **Disconnect electrical power** before installing or servicing any part of this fixture.
- B. Remove fixture from carton. Remove diffuser (5). Separate contents of hardware bag.

2. Wiring. All wiring must take place inside junction box.

Caution: Make sure power is off at fuse or circuit breaker box. Check power wires for damage or scrapes, consult a qualified electrician before installing.

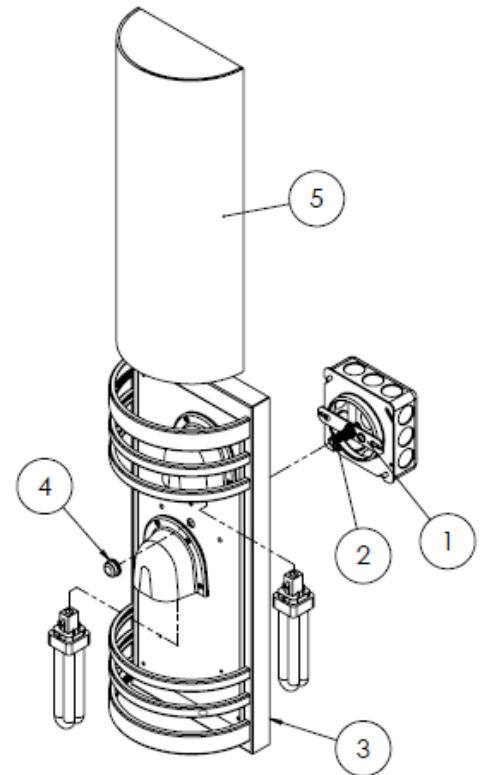
- A. This unit will not operate properly unless connected to a “grounded” electrical circuit. Electrical shock, over heating, low or no light output, and shortened lamp life can result if proper grounding is not done. Securely attach green and yellow wire from back of fixture to gem bar (1) gnd.
- B. Using luminaire disconnect (provided), insert white supply wire into the hole across from white ballast lead. Insert black hot supply wire into hole across from black ballast lead. **Do not mix wires.** Pull on each wire to make sure connections are secure. Make certain no bare wires are exposed outside of luminaire disconnect.

3. Fixture mounting

- A. Back pan mounting options:
 1. Gem Bar Mounting – Secure gem bar (1) (provided) to junction box. Install 1-1/2” stem (2 - provided) into the gem bar. Use the lock nut (supplied) to secure stem at the proper length. Install back pan (3) over stem and secure in place with knob (4). (Note: Adjust length of stem to create secure fit.)
 2. Secure to junction box – Holes supplied in back pan (3) enable direct mounting to junction box (not supplied).
- B. Apply a bead of silicone sealant (not supplied) around all 4 edges of back pan (3) at wall following manufacturer’s instructions.

4. Lamp and Diffuser installation

- A. Install appropriate lamps (4-pin 18 watt, G24q-2 base) (not supplied) from bottom by inserting lamp pins into lamp holder and pressing up until lamp snaps in place.
- B. To install the diffuser (5), align diffuser above frame and slide inside frame and reflector edges until it stops.
- C. Restore power at fuse or circuit breaker box.



Limited Factory Warranty

American Fluorescent Corporation hereby warrants that this fixture is free from defects in materials and workmanship when installed and used under normal operating conditions for a period of 2 years from date of purchase. This warranty covers all component parts and extends only to replacement of defective fixture or components; it does not cover failure due to improper installation, misuse, mishandling or damage incurred in transit.