

AP80H QVL SERIES

Ventilation Fan with Recessed Light - Square Trim



Description:

Ventilating fan shall be low noise, low RPM with recessed light and integrated user-set humidity sensor. Ceiling mount engineered for continuous operation. Suitable for new construction or remodeling. HVI Certified. ETL/cETL listed for use in insulated ceilings (Type I.C.) and over shower/tub with GFCI circuit and PAR30L 75W (max) CFL. ENERGY STAR certified when used with a GU24 kit (Not Included).

Motor/Blower:

- Permanently lubricated high performance AC motor.
- Engineered for continuous operation.
- Power rating shall be 120v/60Hz.
- Fan shall be UL and cUL listed for tub/shower enclosure when GFCI protected.
- Motor equipped with thermal shut-off.

Housing:

- Galvanized Steel Body
- Duct connector adapts to 4" or and 5" ductwork.
- Built-in backdraft damper
- Articulating and expandable anti-vibration brackets included.
- Designed for installation in ceilings with a minimum of 8" clearance.

Trim Ring:

White only, square trim. Low maintenance, attaches to housing with torsion springs.

Light & Humidity Sensor:

Bulb Not included. Accepts any of the following bulbs: 75W, PAR30, PAR30L, 14W (max) LED. For ENERGY STAR compliance needs GU24 Kit (not included).

Humidity sensor is adjustable from 50%-100% relative humidity and responds to a rise in humidity above user setpoint.

Ventilating Area:

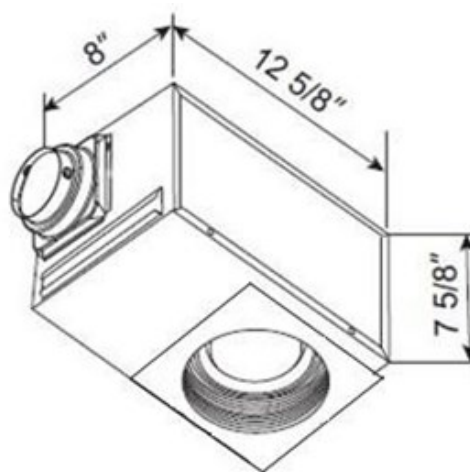
For areas up to 80 square feet.

Warranty:

6 Years if installed by licensed professional.

Architectural Specifications:

Ventilation fan will be ceiling mount, ENERGY STAR qualified, with no more than 1.2 Sones at 80CFMs as certified by HVI at 0.1 static pressure in inches water gauge. Power consumption shall be no greater than 20 watts with an efficiency rating of no less than 4.0CFM/watt. The motor will be permanently lubricated, engineered for continuous operation. Light/fan to operate separately or in combination. Light/fan must use a 75W(max), PAR30, BR30LED (14W max), or PAR30L (over tub/shower). Fan will start when humidity level rises above user set point. Duct diameter will be 4" to 5" expandable. Fan shall be listed for tub/shower enclosure when used with GFCI branch circuit wiring and PAR30L light source. Shall be ETL/cETL listed for use in insulated ceilings (Type I.C.). Can be used to comply with California Title 24.



Model: AP80 Series	4" Duct	
Static Pressure (inches w.g.)	0.1	0.25
Air Volume (CFM)	80	68
Noise (Sones)	1.2	n/a
Power Consumption (Watts)	20	18.5
Energy Efficiency (CFM/Watts)	4.0	3.7
Current AMPS	0.2	0.19
ENERGY STAR rated	NO	
Bulb Included	NO	



Model	Qty	Comments	Project
			Location
			Architect
			Engineer
			Contractor
			Submitted by:
			Date:

813 Ridge Lake Blvd., Ste. 210 Memphis, TN 38120

843.377.8642

www.aeropurefans.com