

Aero Pure ™
BATHROOM HEATER

User's Manual

A716

**READ ALL THESE IMPORTANT INSTRUCTIONS BEFORE USING THIS PRODUCT,
AND SAVE THESE INSTRUCTIONS FOR FURTHER USE.**

Preface

Dear customers,
Thank you for selecting Aero Pure, which is surely to bring you satisfaction. Read all instructions before using the heater.

WARNING!

**TO REDUCE THE RISK OF FIRE, ELECTRIC SHOCK, OR INJURY TO
PERSONS, OBSERVE THE FOLLOWING:**

1. Use this heater only as described in this manual. Any other use not recommended by the manufacturer may cause fire, electric shock, or injury to persons. If you have questions, contact the manufacture or local agent.
2. Make sure the power is off during the installation. Shut off power before servicing or cleaning.
3. Installation work and electrical wiring must be done by a qualified person(s) in accordance with all applicable codes and standards.
4. For the purpose of avoiding any dangerous gas leaking into your bathroom, the duct must not be laid together with the vent-pipe of air-fueled water heater into the same flue.
5. To prevent a possible fire, do not block air intakes or exhaust in any manner.
6. Do not insert or allow foreign objects to enter any ventilation or exhaust opening as this may cause an electric shock or fire, or damage the heater.
7. A heater has hot and arcing or sparking parts inside. Do not use it in area where gasoline, paint, or flammable liquids are used or stored.
8. The heater must not be installed at a place that suffers from severe water leakage.
9. Do not install closer than 10 inches to a vertical surface and 6 feet to the ground.
10. The heater must not be installed beneath a fixed socket.
11. When cutting into the wall, do not damage electrical wiring and other hidden utilities.
12. The unit has been tested to be in contact with insulation (Type IC).
13. The heater must be properly grounded.

14. For supply connections use No. 14 AWG or larger wires suitable for at least 90°C(194°F).

15. For overheat protections, the fan automatically turns on when the temperature of unit exceeds 85°C(185°F) , the heat lamps may automatically turn off if the temperature exceeds 90°C(194°F). This heater may include a visual alarm to warn that parts of the heater are getting excessively hot. If the alarm illuminates, immediately turn the heater off and inspect for any objects on or adjacent to the heater that may have blocked the airflow or otherwise caused high temperature to have occurred. **DO NOT OPERATE THE HEATER WITH THE ALARM ILLUMINATION.**

16. The lamps are hot when in use. It is absolutely prohibited to touch the infrared lamps with any part of your body when in use.

17. Shut off power urgently when any abnormalities occur in operation. Then call your local licensed electrician for inspection or necessary service work.

18. Children, elders and / or handicapped should use this product under family guidance.

19. Do not use outdoors.

20. To reduce risk of fire, use only type RF lamps 270 watts maximum. Replace bulb with 60 watts type A bulb only. It may affect operation (even cause danger) when use lamps other than the designated one.

SAVE THESE INSTRUCTIONS FOR FURTHER USE.

CAUTION

1. For general ventilating use only. Do not use to exhaust hazardous or explosive materials and vapors.
2. This product is designed for installation in flat ceilings only. Do not mount it on a sloping ceiling or a vertical wall.
3. To avoid motor bearing damage and noisy and/or unbalanced impellers, keep drywall spray, construction dust, etc. off the unit.
4. It is highly recommended to make preparation for heater installation when you retrofit your bathroom.
5. Please read specification label on product for further information and requirements.

INSTALLATION

PREPARATION FOR INSTALLATION

1. Cutting a vent (Figure1)
Locate a vent position (above the ceiling) on the wall, and then cut a 4 1/8 inches diameter hole at the very position.

2. Ducting

Please use required duct material as specified and required by your local building codes.

3. Locating the heater

For the purpose of obtaining best heating effect, from the lamps there should be a 7 feet~ 8 feet overall height to ground.

Note: The ceiling joists must be strong.

4. Remove the fascia

Remove all lamps from the heater. Unclip four fascia-retaining springs inside the housing. Remove the fascia.

Note: Do not force when removing the infrared lamps.

5. Take out three screws from the wire cover and remove the wire cover (Figure2).

6. Remove one of the knockouts according to the need.

7. Fix a clamp connector or wire holder to the opened knockout.

INSTALLATION

1. Slide adjustable mounting brackets into bracket channels on housing (Figure 3).

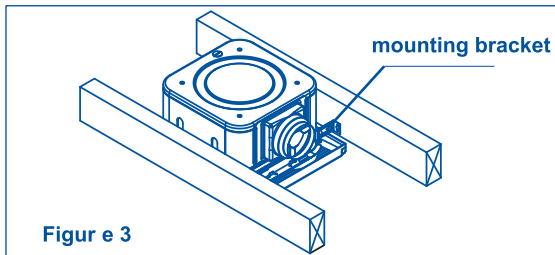


Figure 2

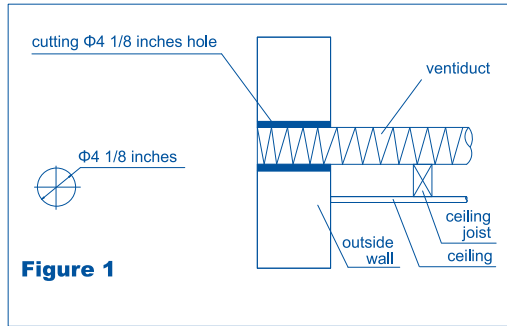
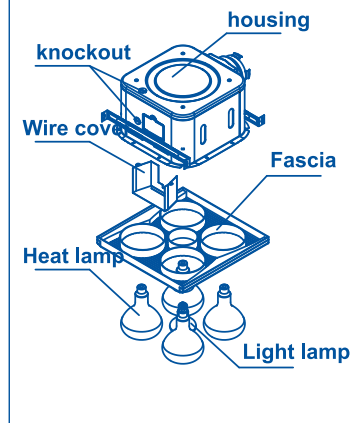


Figure 1

a) Position housing between joists and extend mounting brackets. Position brackets so that bottom edge of housing will be flush with suspended ceiling. Mark the top of keyhole on all four mounting brackets (Figure4).

b) Remove housing temporarily and pound nails partially into joists at all four marked locations (Figure5).

c) Hang housing to nails. Pound nails tight.

Note: To ensure a noise-free mount, crimp the bracket channels tightly around mounting brackets.

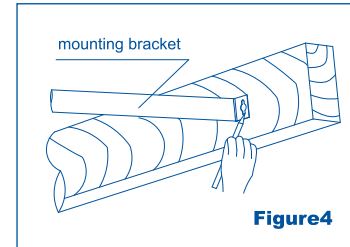


Figure4

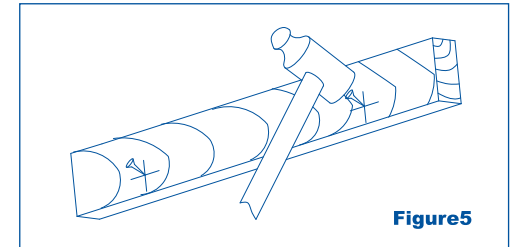


Figure5

3. Fit the in-house end of the duct to the fan outlet of the housing (Figure6). Keep the duct as straight as possible.

WIRING

1. Put one end of the interconnecting wire through the opened knockout.

2. Make wire connections with the terminal block as Figure7.

Note: Make sure that connections are used to hold wires firmly in place.

3. Connect the other end of interconnecting wire with the switch panel (Figure7).

Note: Try to keep the redundant wire away from the housing.

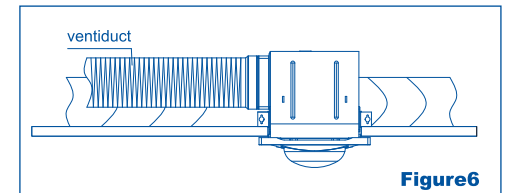


Figure6

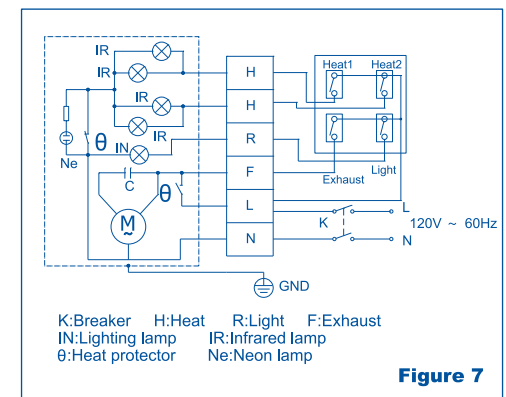


Figure 7

Final Installation

1. Replace the wire cover to the housing.

2. Fix the brackets

2. Replace the fascia.

3. Replace the lamps.

Ensure the lamps are screwed sufficiently to make good electrical contact. Clean the globes and fascia.

USE

This bathroom heater uses the infrared lamps as a source of heat. It also combines the functions of exhausting and lighting.

1. Heating

2 lamps: Turn on/off '☀ #1' or '☀ #2' button.

4 lamps: Turn on/off '☀ #1' and '☀ #2' button.

This model is supplied with 2 groups of infrared lamps. You can turn on one or both of them for best heating effect.

2. Exhausting

Turn on/off '🌀' button.

This unit can exhaust damp and steam in a quick and efficient way by turning on the '🌀' button. No additional exhaust fan is necessary for the heater itself satisfies your need in exhausting in bathroom.

3. Lighting

Turn on/off '💡' button.

Note: Assure all buttons under 'off' condition after use. Do not turn on/off the buttons frequently when in use. Shut off power if in a long vacancy.

MAINTENANCE

1. Cleaning

1) Shut off power before servicing or cleaning.

2) Wipe globes and fascia with care by a soft cloth soaked with neutral detergent. Ensure the globes are cool to touch before handling.

3) Remove the fascia and lamps, remove the wire cover, unwire out plug, then take out 6 screws from clapboard. Remove clapboard for clean and maintenance.

Note: Electric parts are prohibited from touching water.

4) Install all the parts in reverse after they become dry thoroughly.

2. Lamp Replacement

1) Check and tighten globes regularly.

2) Shut off power before replacement.

3) Use a 120V, maximum 60W type A bulb only for lighting.

4) Use our designed 120V, 270W infrared lamps.

WARRANTY

The product is warranted against parts failure for a period of 4 years. Labor costs extra. Please contact your local agencies for warranty services.

This warranty does not cover damage or loss caused by:

a. Light lamp.

b. Any consequential losses arising from incorrect installation or operation or maintenance of this product.

c. Any consequential losses arising from incorrect wiring of this product.

d. Any consequential losses arising from repairing of any part of this product by unauthorized persons.

Main Technical Parameters

Model	A716
Rated Voltage	120V
Rated Frequency	60Hz
Rated Power	1160W

List of Accessories

Operation Unit	1 Piece
Infrared Heat Lamp	4 Pieces
Light Lamp	1 Piece
User's Manual	1 Piece
Mounting Bracket	1 Set

We keep the right to revise this manual without any prior notice.