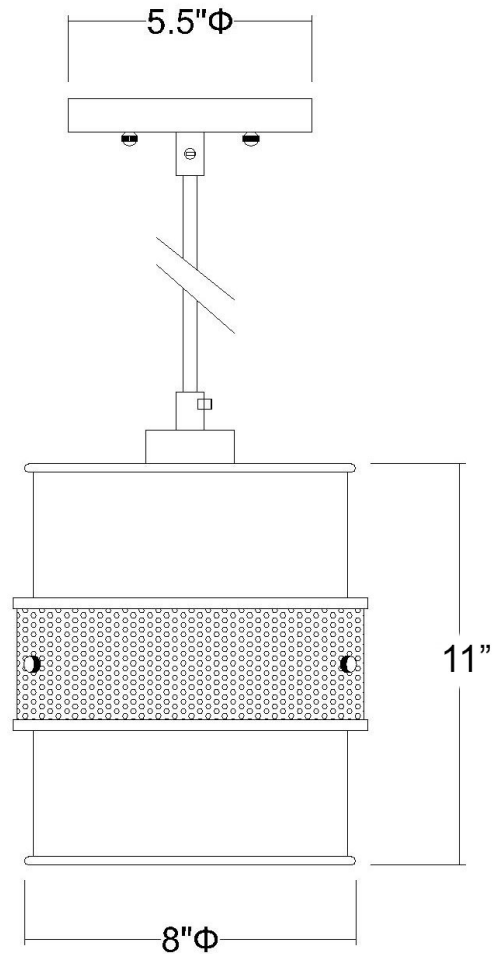


# IN31602BZP

## RYKER 1-LIGHT PENDANT



**Description:** Ryker 1-Light Pendant

**Finish:** Bronze Patina

**Dimensions:** 8" Dia. x 11" H

**Bulbs:** 1-100W Med.

**Installed Weight:** 1.75 lbs.

**Certification:** cUL / dry location

**Material:** Steel

**Shades:** Steel

**Glass:** NA

**Canopy Dimensions:** 5-1/2" Dia.

**Chain/Wire:** 12' Wire

**Additional Finishes:** NA