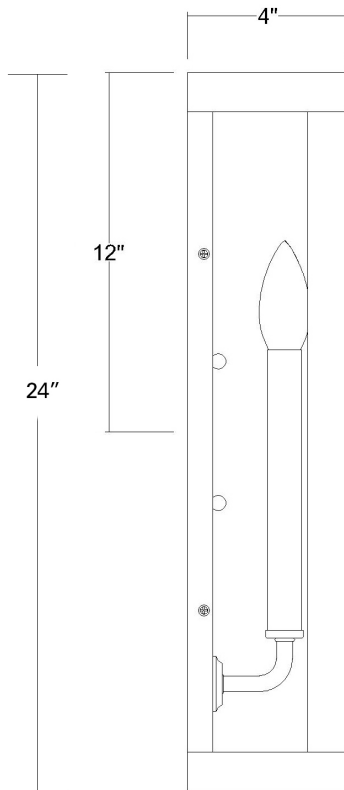


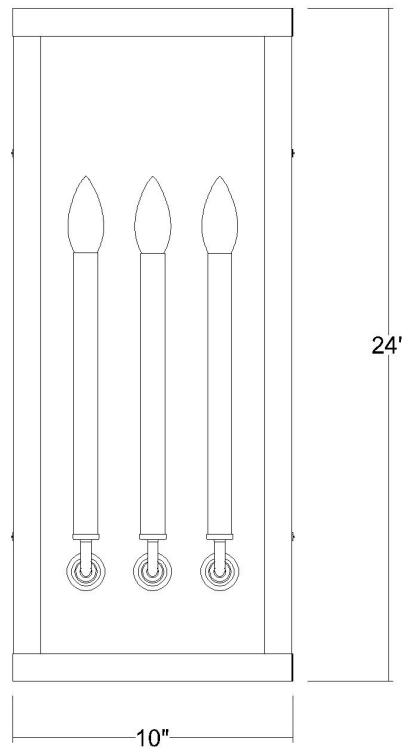
# 1522ATB

## CHARLESTON 3-LIGHT WALL SCONCE

Side View



Front View



<b>Description:</b>	Charleston 3-light wall sconce
<b>Finish:</b>	Antique brass
<b>Dimensions:</b>	10" W x 24" H x 4" ext. Height on center: 12"
<b>Bulbs:</b>	3-60w candelabra
<b>Installed Weight:</b>	10.5 lbs.
<b>Certification:</b>	Wet location / ETL

<b>Material:</b>	Stainless steel and glass
<b>Shade:</b>	NA
<b>Glass:</b>	Clear water glass
<b>Back Plate Dimensions:</b>	10" x 24"
<b>Chain/Wire:</b>	NA
<b>Additional Finishes:</b>	Oil rubbed bronze