

*****READ & SAVE THESE INSTRUCTIONS *****
MODEL 50130
INSTALLATION & OPERATION INSTRUCTIONS

1) TOOLS AND MATERIALS REQUIRED

- ❖ Blade Screwdriver
- ❖ Adjustable Wrench
- ❖ Wire Cutters
- ❖ Wiring supplies as required by Electrical Code
- ❖ 1 x 100W/A-19 (E-26 Medium Base) Bulbs

Attention:

Before assembling your lighting fixture, please read the following instructions. If you feel you do not have sufficient electrical experience, refer to a do-it-yourself wiring handbook or have your fixture installed by a qualified licensed electrician.

(2) GENERAL

1. To ensure the success of the installation, be sure to read these instructions thoroughly before beginning.
2. All electrical connections must be in accordance with local codes, ordinances, or the National Electrical Code. If you are unfamiliar with methods of installing electrical wiring, secure the services of a qualified licensed electrician.
3. These fixtures are intended for mounting to a standard 4" x 2 ¼" deep metal octagon outlet box. The box must be directly supported by the building structure and U.L. recognized.
4. Before commencing with the installation, ***disconnect the power by turning off the circuit breaker*** or by removing the fuse at the fuse box. Turning the power off using the light switch is not sufficient to prevent electrical shock.

NOTE:

The important safeguards and instructions appearing in this manual are not meant to cover all possible conditions and situations that may occur. It must be understood that common sense, caution and care, are factors that cannot be built into any product. The person(s) caring for and operating the fixture must supply these factors.

(3) UNPACKING THE FIXTURE

On checking the contents of the box you will find;

1. Fixture assembly
2. Mounting Hardware packet
3. 1 x Glass Diffusers
4. 1 x Metal Cover

(4) PREPARING THE FIXTURE

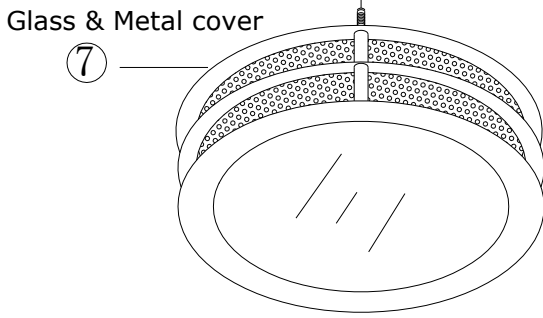
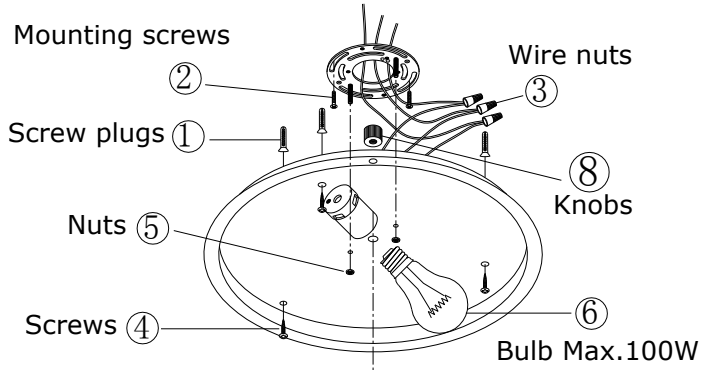
1. If you are replacing an existing fixture, disconnect and remove the old fixture. Expose the supply wiring from the outlet box.
2. Place the glass diffuser (A-2) into the metal cover (A-1). Fit the top ring (A-3) over the glass and secure with nuts on top.
3. Secure the crossbar to the outlet box with the supplied mounting screws (2). (The screws in the crossbar should be facing out from the ceiling).
4. Insert the two protruding screws from the crossbar into the two holes allocated in the fixture mounting plate. Make marks on the ceiling with a pencil indicating the location for the screw plugs (1) and screws (4) that will mount the fixture to the ceiling. Remove the fixture mounting plate. Insert the screw plugs (1) into the ceiling.
5. Connect the Black wire from the fixture to the Black supply wire and the White fixture wire to the White supply wire, fasten securely with the supplied wire nuts (3) and secure the wire nuts (3) with UL listed electrical tape (not supplied). Tuck the wires carefully into the outlet box.
6. Connect the ground wire from the fixture to the electrical supply ground wire, or attach the ground wire directly to the ground screw on the crossbar. Fasten securely with the supplied wire nuts (3) and secure the wire nuts (3) with UL listed electrical tape (not supplied). Tuck the wires carefully into the outlet box.
7. Put the crossbar screws through the 2 holes allocated on the fixture mounting plate. Secure the fixture against the ceiling with the supplied nuts (5).
8. Screw the supplied screws (4) into the screw plugs (1) that you had already inserted into the ceiling.
9. Insert the bulbs (6). **DO NOT EXCEED THE WATTAGE AS INDICATED ON THE WARNING LABEL.**
10. Align the screws protruding from the glass & metal cover (7) with the holes allocated in the fixture mounting plate. Secure the glass diffuser and metal cover (7) to the fixture mounting plate by inserting the screws into the holes and screwing the knobs (8) onto the screws. Make sure that the knobs are very tight.
11. Restore the electricity and enjoy your new fixture.

CAUTION:

- ***Ensure that the Fitting is Cool and Switched off, Before Changing Bulbs.***
- ***Do Not use Bulbs Exceeding Maximum Wattage as Per Caution Label.***
- ***Do Not Touch the Bulb while fixture is in operation.***
- ***Do Not place fixture in close proximity to combustible material.***

031309IPV1

MODEL 50130



A-4 Nuts holding the top ring

A-3 Top ring

A-2 Glass

A-1 Metal cover

