

Model No :: **31002LEDD-BS/OPL**  
 Name :: **Vail**



Project Name :: \_\_\_\_\_  
 Location :: \_\_\_\_\_  
 Type :: \_\_\_\_\_  
 Quantity :: \_\_\_\_\_  
 Notes :: \_\_\_\_\_

**Product Information**

Product ID :: 31002  
 UPC Code :: 641594175059  
 Mounting Type :: Wall  
 Finish :: Brushed Steel (BS)  
 Diffuser :: Opal (OPL)  
 Alt. Finishes :: N/A  
 Alt. Diffusers :: N/A

**Product Dimensions**

<b>Fixture</b>		<b>Canopy</b>
Length ::	N/A	Length :: 25.6"
Width ::	30.25"	Width :: 2.9"
Diameter ::	N/A	Diameter :: N/A
Extension ::	3.25"	Height :: 1.3"
Height ::	4.25"	
Overall Height ::	N/A Max.	



**Technical Specifications**

**Qualifications**

Location Rating :: Damp  
 Certification :: cULus  
 IES File :: No  
 JA8 Compliant :: Yes  
 Title 20 Compliant :: N/A  
 Energy Star :: Yes  
 ADA Compliant :: Yes  
 Marine Grade :: No  
 Emergency Lighting :: No  
 Warranty :: 5 Year Limited

**Specifications**

Frame Material :: Metal  
 Diffuser Material :: Glass  
 Voltage :: 120v  
 Lamping Type :: Dedicated LED  
 Lamping Base :: SSL  
 Lamp Quantity :: 1  
 Lamp Wattage :: 30 W  
 Total Wattage :: 30 W  
 Lamps Included :: Yes  
 J-Box Type :: Standard

**Photometrics**

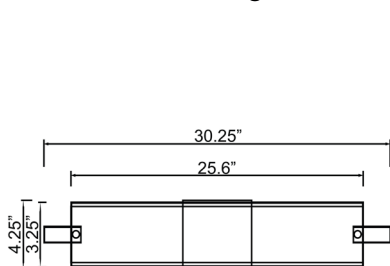
CCT :: 3000  
 CRI :: 90  
 Wattage :: 30 W  
 Nominal Lumens :: 3040  
 Delivered Lumens :: 2517

**Recommended Dimmers**

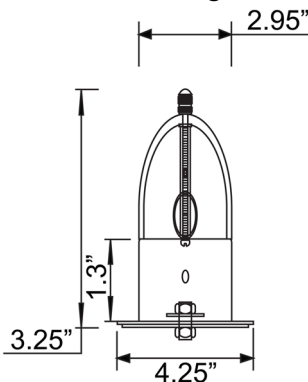
(ELV) LUTRON Diva DVELV-300P; (ELV) LUTRON Diva DVELV-303P; (ELV) LUTRON Skylark SELV-300P; (TRIAC) LUTRON Diva DV-600P

**Custom Options** :: Alternate Color Temperature Available, Available in 0-10V Dim, Available in 277V; **Additional Items** :: Fully adjustable floating canopy included

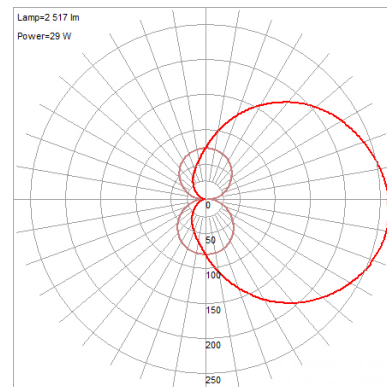
**Line Drawing #1**



**Line Drawing #2**



**IES File**



**Toll Free 800-828-5483 or www.AccessLighting.com**

14410 Myford Road, Irvine, CA 92606

The information provided is subject to change without notice. ©2018 Access Lighting Corporation. All Rights Reserved  
 Rev. 201901 Filename:: 31002LEDD-BS\_OPL.pdf

