

Stock Code: **20447-BS/WHT**

Collection: Prong

**PRODUCT INFORMATION**

Base: 20447 Parent: 20447  
Mounting Type: Wall UPC: 641594160192  
Finish: Brushed Steel  
Diffuser: White

**PRODUCT MEASUREMENTS**

<b>FIXTURE**</b>	<b>BACKPLATE / CANOPY**</b>
Length:	Length 6.75"
Width: 12"	Width: 11.25"
Diameter	Diameter:
Height: 7.5"	Height: 0.5"
Extension: 4"	
Overall Height:	

**TECHNICAL SPECIFICATIONS**

**SPECIFICATIONS**

Frame Material: Steel  
Diffuser Material: Glass  
Lamping Type: E-26 (Incandescent) Jbox: Standard  
Lamping Base: E-26 Lamp Wattage: 60 W  
Lamp Quantity: 2 Total Wattage: 120 W  
Voltage: 120v Lamps Included: No

**QUALIFICATIONS**

Location Rating Damp  
Certification: UL (US/Canada) Listed  
ADA Compliant: Yes Energy Star: No  
JA8 Compliant: No Emergency Lighting: No  
Marine Grade Finish: No  
Warranty\*\*: 1 Year

**PHOTOMETRICS**

Dimmable: Yes Nominal Lumens: N/A  
CRI: N/A Delivered Lumens: N/A  
CCT: N/A  
Recommended Dimmers:  
(TRIAC)Any Standard Dimmer

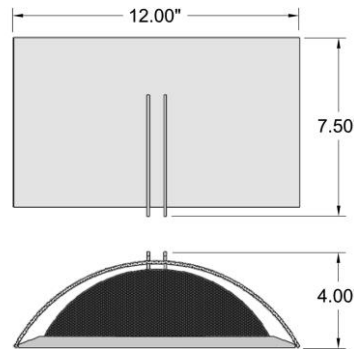
**ADDITIONAL NOTES**

Custom Finish 5 Piece Minimum Order Quantity

Project Name: \_\_\_\_\_  
Location: \_\_\_\_\_  
Type: \_\_\_\_\_  
Quantity: \_\_\_\_\_  
Notes:



**LINE DRAWING**



**IES FILE**

In addition to Access Lighting's purchase and warranty terms and conditions, by signing below or placing an order, you agree that you are authorized to bind the entity placing any order and acknowledge the following: All of sizes and measurements are approximate and all images are for illustrative purposes only. In the event of an inconsistency, the "Product Measurements" section controls. There also may be slight differences in the colors and designs compared to the displayed and printed images.

Signature: \_\_\_\_\_

Print Name \_\_\_\_\_ Date: \_\_\_\_\_

**Toll Free 800-828-5483 www.AccessLighting.com**

301 Piedmont Grove Park, Suite A, Greenville, SC 29611

