

Stock Code: **20507LEDD-BS/ACR**

Collection: Solero III

**PRODUCT INFORMATION**

Base: 20507 Parent: 20507LEDD  
Mounting Type: Ceiling UPC: 641594245226  
Finish: Brushed Steel  
Diffuser: Acrylic Lens

**PRODUCT MEASUREMENTS**

<b>FIXTURE</b>	<b>BACKPLATE / CANOPY</b>
Length:	Length
Width:	Width:
Diameter 14"	Diameter:
Height: 3.5"	Height:
Extension:	
Overall Height:	

**TECHNICAL SPECIFICATIONS**

**SPECIFICATIONS**

Frame Material: N/A  
Diffuser Material: N/A  
Lamping Type: SSL (Dedicated LED) Jbox: Standard  
Lamping Base: SSL Lamp Wattage: 20 W  
Lamp Quantity: 1 Total Wattage: 20 W  
Voltage: 120v Lamps Included: Yes

**QUALIFICATIONS**

Location Rating Damp  
Certification: ETL (US/Canada) Listed  
ADA Compliant: No Energy Star: No  
JA8 Compliant: Yes Emergency Lighting: No  
Marine Grade: No Warranty: 5 Year

**PHOTOMETRICS**

Dimmable: Yes Nominal Lumens 1500 Lm  
CRI: 90 Delivered Lumens: 1150 Lm  
CCT: 3000K  
Recommended Dimmers:  
(TRIAC)LEVITON Decora Sureslide 6674; (ELV)LUTRON Maestro CL MACL-153M; (TRIAC)LEVITON illumatech IPI06; (TRIAC)LEVITON Decora Sureslide 6672; (ELV)LUTRON Maestro CL (Package) MACL-153M-RHW; (ELV)LUTRON Diva DVELV-300P; (ELV)LUTRON Skylark Contour CTCL-15

**Additional Notes:**

Custom Finish 5 Piece Minimum Order Quantity; Optional Color Temperature 500 Piece Minimum Order Quantity

Project Name: \_\_\_\_\_

Location: \_\_\_\_\_

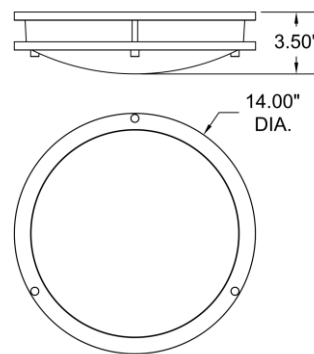
Type: \_\_\_\_\_

Quantity: \_\_\_\_\_

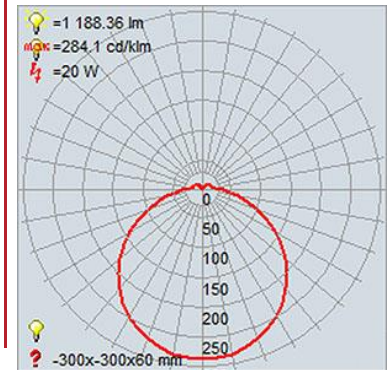
Notes: \_\_\_\_\_



**LINE DRAWING**



**IES FILE**



In addition to Access Lighting's purchase and warranty terms and conditions, by signing below or placing an order, you agree that you are authorized to bind the entity placing any order and acknowledge the following: All of sizes and measurements are approximate and all images are for illustrative purposes only. In the event of an inconsistency, the "Product Measurements" section controls. There also may be slight differences in the colors and designs compared to the displayed and printed images.

Signature: \_\_\_\_\_

Print Name \_\_\_\_\_ Date: \_\_\_\_\_

**Toll Free 800-828-5483 www.AccessLighting.com**

14410 Myford Road, Irvine, CA 92606

