

access

L I G H T I N G

INSTALLATION INSTRUCTIONS

IMPORTANT SAFETY INSTRUCTIONS

MESURES DE SECURITE A RESPECTURE

Before assembling your ACCESS LIGHTING fixture, please make sure that you carefully read through this instruction sheet. Save this instruction sheet and refer to it when additions to or changes in the fixture configuration are made.

Lisez attentivement ce manuel d'instructions. Enregistrer cette feuille d'instructions et de s'y référer lorsque les ajouts ou changements dans la configuration de montage sont faites.

CONSULT A QUALIFIED ELECTRICIAN TO ENSURE CORRECT BRANCH CIRCUIT CONDUCTOR.

CONSULTER UN ELECTRICIEN QUALIFIE POUR VOUS ASSURER QUE LES CONDUCTEURS DE LA DERIVATION SONT ADEQUATS

THIS PRODUCT MUST BE INSTALLED IN ACCORDANCE WITH THE APPLICABLE INSTALLATION CODE BY A PERSON FAMILIAR WITH THE CONSTRUCTION AND OPERATION OF THE PRODUCT AND THE HAZARDS INVOLVED.

CE PRODUIT DOIT ETRE INSTALLE SELON LE CODE D'INSTALLATION PERTINENT, PAR UNE PERSONNE QUI CONNAIT BIEN LE PRODUIT ET SON FONCTIONNEMENT AINSI QUE LES RISQUES INHERENTS

NOTE: The important safeguards and instructions that appear in this manual are not meant to cover all possible conditions and situations that may occur. It must be understood that common sense, caution and care, are factors that can't be built into any product. These factors must be supplied by the person(s) caring for and operating the fixture.

Read all instructions

Do not install this fixture in hazardous locations.

N'installez pas cet appareil dans des emplacements dangereux.

Do not install any fixture assembly closer than 6 inches from any curtain or similar combustible material.

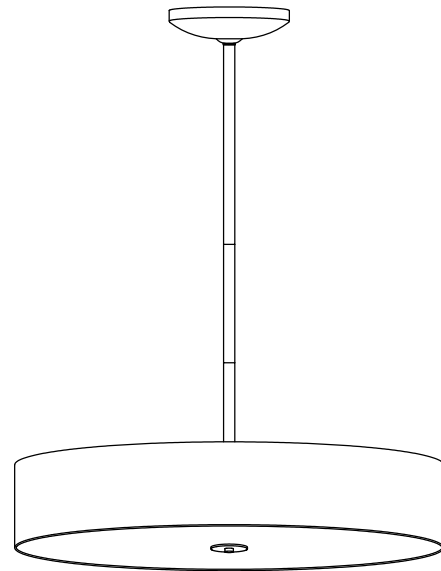
Laisser une distance d'au moins 6 pouces entre ce luminaire et la toute surface combustible.

"WARNING Risk of Fire and Electric Shock."

"CAUTION: Risque d' Incendie et de Choc Electriques."

GENERAL INFORMATION

All electrical connections must be in accordance with all ordinances, Local and the U.S. National Electrical Codes (NEC). These fixtures are intended for mounting to a standard 4" metal octagon outlet box. The box must be directly supported by the building structure and U.L. Recognized.



COLLECTION

MID-TOWN

APPLICATION

Pendant Fixture

MODEL NO.

64065LEDDL
64066LEDDL

WHAT WE PROVIDE

- Mounting bracket
- Fixture assembly
- 1 x Fabric Shade + glass plate
- 1 x 6", 16", 22" rod
- 3 x A19 E26 LED Bulbs (64065LEDDL)
- 4 x A19 E26 LED Bulbs (64066LEDDL)

WHAT YOU NEED

- Screwdriver
- Wire Cutters
- Wiring Supplies as Specified by Electrical Code

Recommended Dimmers for Supplied LED Bulbs

(TRIAC) LEVITON Decora Sureslide 6672

(TRIAC) LEVITON Decora Sureslide 6674

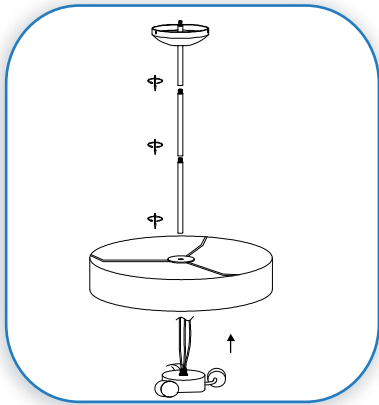
(TRIAC) LUTRON Toggler TGCL-153P

(TRIAC) LUTRON Diva DVCL-153P

(TRIAC) LUTRON Skylark CL SCL-153 or SCL-153P

STEP BY STEP INSTRUCTIONS

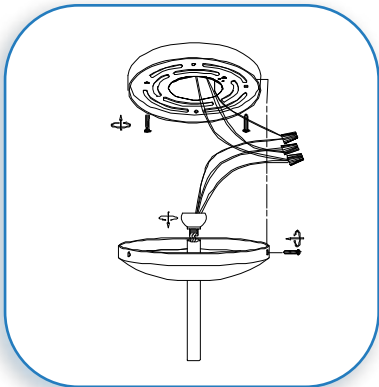
Before starting your installation disconnect the Power by turning off the Circuit Breaker or by removing the fuse at the fuse box. Just turning the light off at the light switch is not sufficient to prevent electrical shock.



1

PREPARE FIXTURE

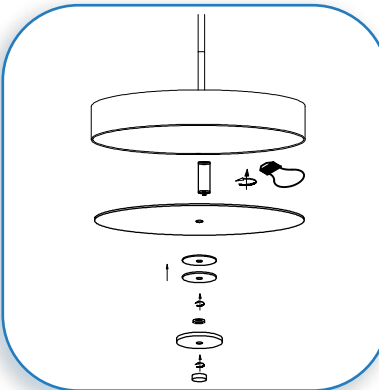
If there is an existing fixture remove it.
Determine the desired hanging height. Carefully pass the fixture supply wires through fabric shade center hole to each extension rods and secure the rods to the canopy.



2

MAKE WIRE CONNECTIONS AND MOUNT THE FIXTURE

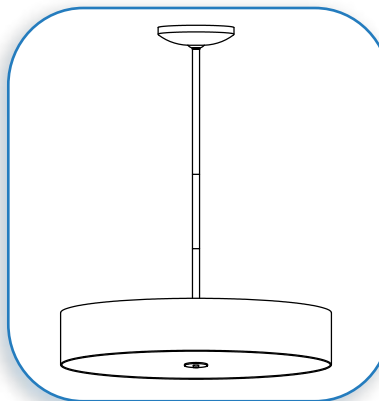
Expose the supply wires from the J-box and pass the wires through the center hole on the mounting bracket. Secure the mounting bracket to the J-box with the supplied screws. Connect the black supply wire to the black fixture wire. Secure with the supplied wire nuts. Connect the white supply wire to the white fixture wire. Secure with the supplied wire nuts. Attach the green J-Box wire around green hexagonal head screw or connect it to the green supply grounding wire of the fixture. Secure all wires with U.L. Certified electrical tape (not supplied). Tuck all wires carefully into the J-Box. Align the fixture canopy onto the mounting bracket and secure with supplied screws.



3

INSERT THE BULBS AND MOUNT THE GLASS PLATE

Insert the bulbs.
DO NOT EXCEED THE MAXIMUM WATTAGE AS STATED ON THE WARNING LABEL.
Secure the supplied center rod and align the glass plate onto the center rod. Secure with supplied plastic washer, metal washer and hex-nut followed by the decorative cover and barrel nut.



4

RESTORE THE ELECTRICITY AND CHECK THE OPERATION OF YOUR NEW ACCESS LIGHTING FIXTURE

CAUTION Please ensure that the fitting is cool and switched off before replacing the bulb. DO NOT use bulbs that might exceed the maximum wattage, stated on caution label.