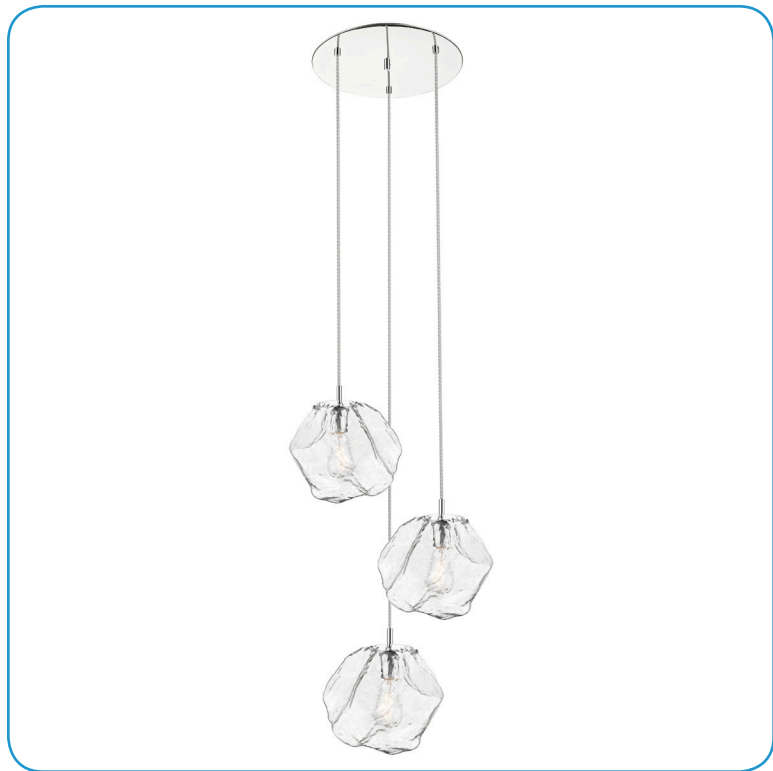


Model No :: **63127LEDDLDP-MSS/CLR**
 Name :: **Boulder**



Project Name :: _____
 Location :: _____
 Type :: _____
 Quantity :: _____
 Notes :: _____

Product Information

Product ID :: 63127
 UPC Code :: 641594230208
 Mounting Type :: Ceiling
 Finish :: Mirrored Stainless Steel (MSS)
 Diffuser :: Clear (CLR)
 Alt. Finishes :: N/A
 Alt. Diffusers :: N/A

Product Dimensions

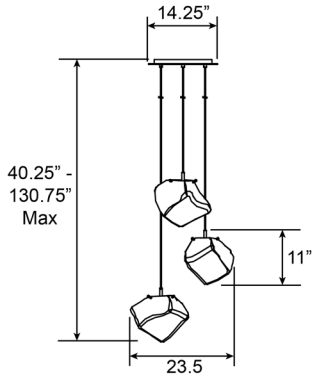
Fixture	Canopy
Length :: N/A	Length :: N/A
Width :: N/A	Width :: N/A
Diameter :: 23.5"	Diameter :: 14.24"
Extension :: N/A	Height :: 1"
Height :: 40.25"	
Overall Height :: 40.25"-130.75" Max.	



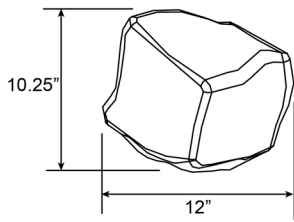
Technical Specifications

Qualifications	Specifications	Photometrics	Recommended Dimmers
Location Rating :: Dry	Frame Material :: Metal	CCT :: 2200	(ELV) LUTRON Skylark SELV-300P; (MLV) COOPER Aspire 9530SW; (TRIAC) LEGRAND Titan CD703-PW
Certification :: cULus	Diffuser Material :: Glass	CRI :: 80	
IES File :: No	Voltage :: 120v	Wattage :: 15 W	
JA8 Compliant :: No	Lamping Type :: Replacable LED	Nominal Lumens :: 1140	
Title 20 Compliant :: Yes	Lamping Base :: E-26	Delivered Lumens :: N/A	
Energy Star :: No	Lamp Quantity :: 3		
ADA Compliant :: No	Lamp Wattage :: 5 W		Custom Options :: N/A; Additional Items :: 10 feet of clear coated cord included
Marine Grade :: No	Total Wattage :: 15 W		
Emergency Lighting :: No	Lamps Included :: Yes		
Warranty :: 1 Year Limited	J-Box Type :: Standard		

Line Drawing #1



Line Drawing #2



IES File

Image Not Available

Toll Free 800-828-5483 or www.AccessLighting.com

14410 Myford Road, Irvine, CA 92606
 The information provided is subject to change without notice. ©2018 Access Lighting Corporation. All Rights Reserved
 Rev. 201901 Filename:: 63127LEDDLDP-MSS_CLR.pdf

