

Model No :: **63122LEDDL-ABRZ/CLR**  
 Name :: **Burst**



Project Name :: \_\_\_\_\_  
 Location :: \_\_\_\_\_  
 Type :: \_\_\_\_\_  
 Quantity :: \_\_\_\_\_  
 Notes :: \_\_\_\_\_

**Product Information**

Product ID :: 63122  
 UPC Code :: 641594230161  
 Mounting Type :: Ceiling  
 Finish :: Antique Bronze (ABRZ)  
 Diffuser :: Clear (CLR)  
 Alt. Finishes :: Chrome (CH)  
 Alt. Diffusers :: N/A

**Product Dimensions**

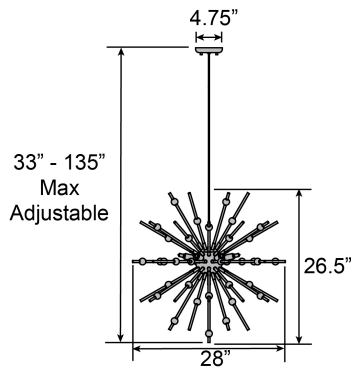
Fixture	Canopy
Length :: N/A	Length :: N/A
Width :: N/A	Width :: N/A
Diameter :: 28"	Diameter :: 4.75"
Extension :: N/A	Height :: N/A
Height :: 26.5"	
Overall Height :: 33"-135" Max.	



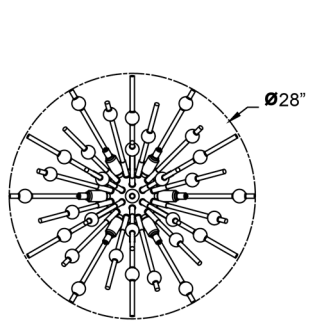
**Technical Specifications**

Qualifications	Specifications	Photometrics	Recommended Dimmers
Location Rating :: Dry	Frame Material :: Metal	CCT :: 3000	(ELV) LUTRON Diva DVELV-300P; (ELV) LUTRON Diva DVELV-303P; (ELV) LUTRON Skylark SELV-300P; (TRIAC) LUTRON Diva DVCL-153P
Certification :: cULus	Diffuser Material :: Glass	CRI :: 80	
IES File :: No	Voltage :: 120v	Wattage :: 40.5 W	
JA8 Compliant :: No	Lamping Type :: Replacable LED	Nominal Lumens :: 4050	
Title 20 Compliant :: Yes	Lamping Base :: G9	Delivered Lumens :: N/A	
Energy Star :: No	Lamp Quantity :: 9		
ADA Compliant :: No	Lamp Wattage :: 4.5 W		
Marine Grade :: No	Total Wattage :: 40.5 W		
Emergency Lighting :: No	Lamps Included :: Yes		
Warranty :: 1 Year Limited	J-Box Type :: Standard		
		<b>Custom Options</b> :: N/A; <b>Additional Items</b> :: 10 feet of clear cord included	

**Line Drawing #1**



**Line Drawing #2**



**IES File**

Image Not Available

**Toll Free 800-828-5483 or www.AccessLighting.com**

14410 Myford Road, Irvine, CA 92606  
 The information provided is subject to change without notice. ©2018 Access Lighting Corporation. All Rights Reserved  
 Rev. 201902 File name: 63122LEDDL-ABRZ\_CLR.pdf

