

Model No :: **63121LEDDL-ABRZ/CLR**
 Name :: **Burst**



Project Name :: _____
 Location :: _____
 Type :: _____
 Quantity :: _____
 Notes :: _____

Product Information

Product ID :: 63121
 UPC Code :: 641594230185
 Mounting Type :: Ceiling
 Finish :: Antique Bronze (ABRZ)
 Diffuser :: Clear (CLR)
 Alt. Finishes :: Chrome (CH)
 Alt. Diffusers :: N/A

Product Dimensions

Fixture		Canopy	
Length ::	N/A	Length ::	N/A
Width ::	N/A	Width ::	N/A
Diameter ::	21.25"	Diameter ::	4.75"
Extension ::	N/A	Height ::	N/A
Height ::	19.75"		
Overall Height ::	27"-132.5" Max.		



Technical Specifications

Qualifications

Location Rating :: Dry
 Certification :: cULus
 IES File :: No
 JA8 Compliant :: No
 Title 20 Compliant :: Yes
 Energy Star :: No
 ADA Compliant :: No
 Marine Grade :: No
 Emergency Lighting :: No
 Warranty :: 1 Year Limited

Specifications

Frame Material :: Metal
 Diffuser Material :: Glass
 Voltage :: 120v
 Lamping Type :: Replacable LED
 Lamping Base :: G9
 Lamp Quantity :: 8
 Lamp Wattage :: 4.5 W
 Total Wattage :: 36 W
 Lamps Included :: Yes
 J-Box Type :: Standard

Photometrics

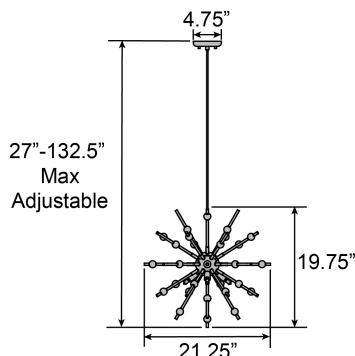
CCT :: 3000
 CRI :: 80
 Wattage :: 36 W
 Nominal Lumens :: 3600
 Delivered Lumens :: N/A

Recommended Dimmers

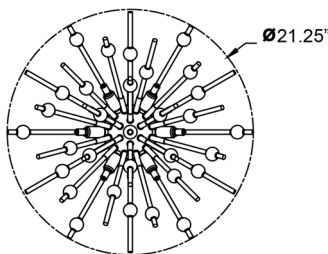
(ELV) LUTRON Diva DVELV-300P; (ELV) LUTRON Diva DVELV-303P; (ELV) LUTRON Skylark SELV-300P; (TRIAC) LUTRON Diva DVCL-153P

Custom Options :: N/A; **Additional Items** :: 10 feet of clear cord included

Line Drawing #1



Line Drawing #2



IES File

Image Not Available

Toll Free 800-828-5483 or www.AccessLighting.com

14410 Myford Road, Irvine, CA 92606

The information provided is subject to change without notice. ©2018 Access Lighting Corporation. All Rights Reserved
 Rev. 201902 Filename: 63121LEDDL-ABRZ_CLR.pdf

