



INSTALLATION INSTRUCTIONS

IMPORTANT SAFETY INSTRUCTIONS

MESURES DE SECURITE A RESPECTER

Before assembling your ACCESS LIGHTING fixture, please make sure that you carefully read through this instruction sheet. Save this instruction sheet and refer to it when additions to or changes in the fixture configuration are made.

Lisez attentivement ce manuel d'instructions. Enregistrer cette feuille d'instructions et de s'y référer lorsque les ajouts ou changements dans la configuration de montage sont faites.

CONSULT A QUALIFIED ELECTRICIAN TO ENSURE CORRECT BRANCH CIRCUIT CONDUCTOR.

CONSULTER UN ELECTRICIEN QUALIFIE POUR VOUS ASSURER QUE LES CONDUCTEURS DE LA DERIVATION SONT ADEQUATS

THIS PRODUCT MUST BE INSTALLED IN ACCORDANCE WITH THE APPLICABLE INSTALLATION CODE BY A PERSON FAMILIAR WITH THE CONSTRUCTION AND OPERATION OF THE PRODUCT AND THE HAZARDS INVOLVED.

CE PRODUIT DOIT ETRE INSTALLE SELON LE CODE D'INSTALLATION PERTINENT, PAR UNE PERSONNE QUI CONNAIT BIEN LE PRODUIT ET SON FONCTIONNEMENT AINSI QUE LES RISQUES INHERENTS

NOTE: The important safeguards and instructions that appear in this manual are not meant to cover all possible conditions and situations that may occur. It must be understood that common sense, caution and care, are factors that can't be built into any product. These factors must be supplied by the person(s) caring for and operating the fixture.

Read all instructions

Do not install this fixture in hazardous locations.

N'installez pas cet appareil dans des emplacements dangereux.

Do not install any fixture assembly closer than 6 inches from any curtain or similar combustible material.

Laissez une distance d'au moins 6 pouces entre ce luminaire et la toute surface combustible.

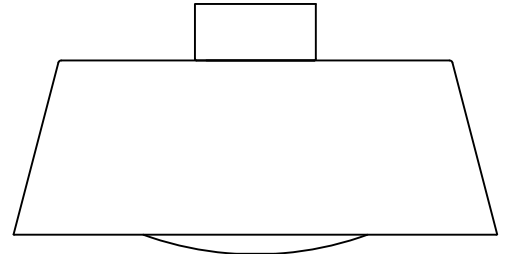
"WARNING Risk of Fire and Electric Shock."

"CAUTION: Risque d' Incendie et de Choc Electriques."

GENERAL INFORMATION

All electrical connections must be in accordance with all ordinances, Local and the U.S. National Electrical Codes (NEC). These fixtures are intended for mounting to a standard 4" metal octagon outlet box.

The box must be directly supported by the building structure and U.L. Recognized.



COLLECTION

SoHo

APPLICATION

Flush Mount

MODEL NO.

23764
23764LEDDL

WHAT WE PROVIDE

- Crossbar
- Mounting Hardware
- Canopy with Fixture
- 1 x Metal Shade
- 3 x A19 E-26 LED Bulbs (23764LEDDL)

WHAT YOU NEED

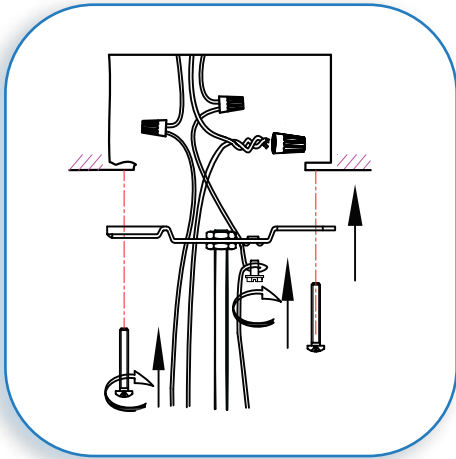
- Screwdriver
- Wire Cutters
- Wiring Supplies as Specified by Electrical Code
- 3 x 60W E-26 Bulbs (23764)

Recommended Dimmers for Supplied Bulb

(ELV) LUTRON Skylark SELV-300P
(MLV) COOPER Aspire 9530SW
(TRIAC) LEGRAND Titan CD703-PW

STEP BY STEP INSTRUCTIONS

Before starting your installation disconnect the Power by turning off the Circuit Breaker or by removing the fuse at the fuse box. Just turning the light off at the light switch is not sufficient to prevent electrical shock.



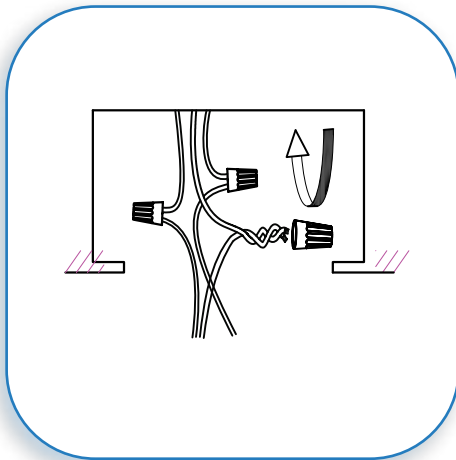
PREPARE FIXTURE

If there is an existing fixture remove it.

Expose the supply wire from the outlet box .

Secure the crossbar to the J-box with the supplied screws.

Ensure that the additional screws face downward.



CONNECT THE WIRES

Connect the black supply wire to the black fixture wire.

Secure with the supplied wire nuts. Connect the white

supply wire to the white fixture wire. Secure with the

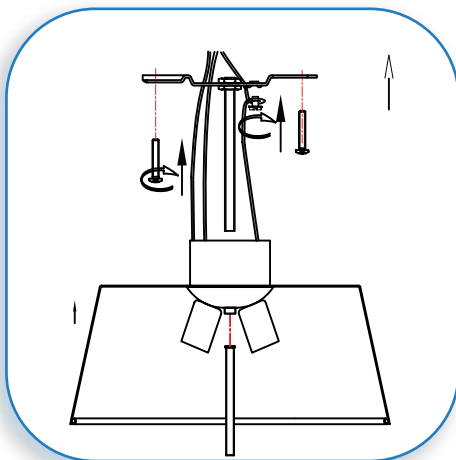
supplied wire nuts. Attach the green J-Box wire around

green hexagonal head screw or connect it to the green

supply grounding wire of the fixture. Secure all wires with

U.L. Certified electrical tape (not supplied).

Tuck all wires carefully into the J-Box.

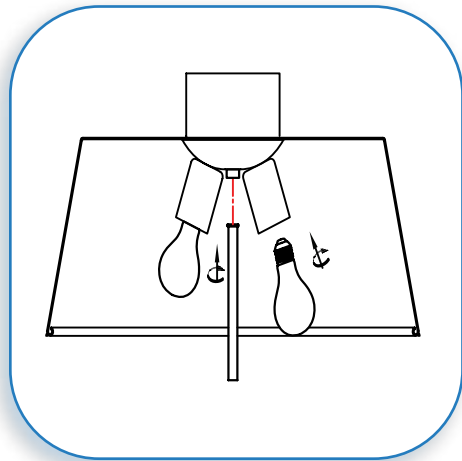


MOUNT THE CANOPY

Fit the fixture canopy up to the crossbar. Insert the

hanging screws into the designated holes in the canopy.

Secure with the supplied thumb screws.

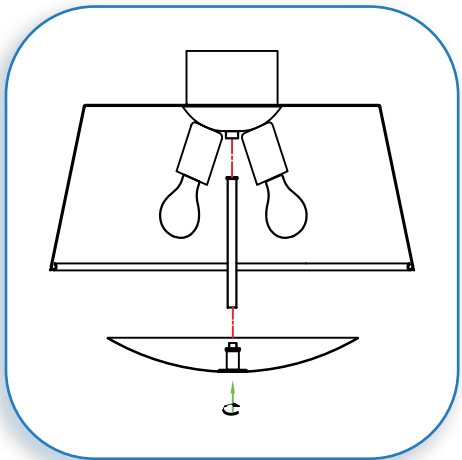


4

INSERT THE BULBS

Insert the bulbs.

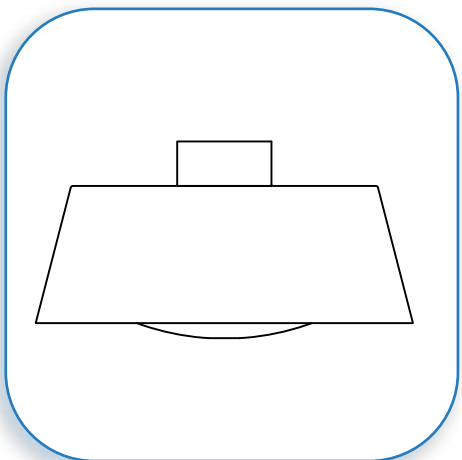
DO NOT EXCEED THE MAXIMUM WATTAGE AS STATED ON THE WARNING LABEL.



5

SECURE METAL SHADE

Secure the nipple to the center of the canopy. Slide the metal shade up so that the nipple is placed through the center hole in the metal shade. Screw the metal shade tightly.



6

RESTORE THE ELECTRICITY AND CHECK THE OPERATION OF YOUR NEW ACCESS LIGHTING FIXTURE

