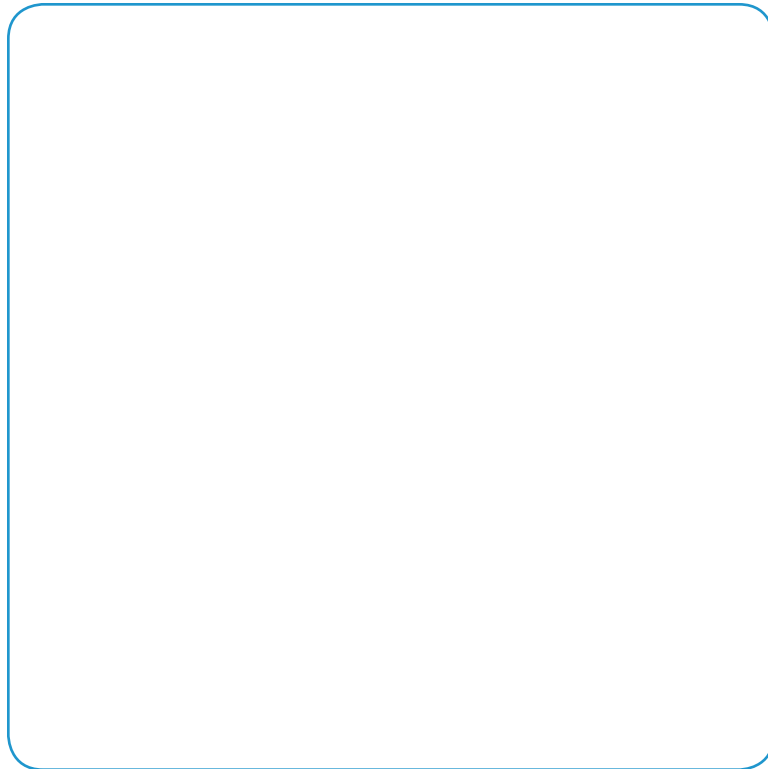


Model No :: **20420LEDDLDP-SAT/OPL**  
 Name :: **Artemis**



Project Name :: \_\_\_\_\_  
 Location :: \_\_\_\_\_  
 Type :: \_\_\_\_\_  
 Quantity :: \_\_\_\_\_  
 Notes :: \_\_\_\_\_

**Product Information**

Product ID :: 20420  
 UPC Code :: 641594229585  
 Mounting Type :: Wall  
 Finish :: Satin (SAT)  
 Diffuser :: Opal (OPL)  
 Alt. Finishes :: N/A  
 Alt. Diffusers :: N/A

**Product Dimensions**

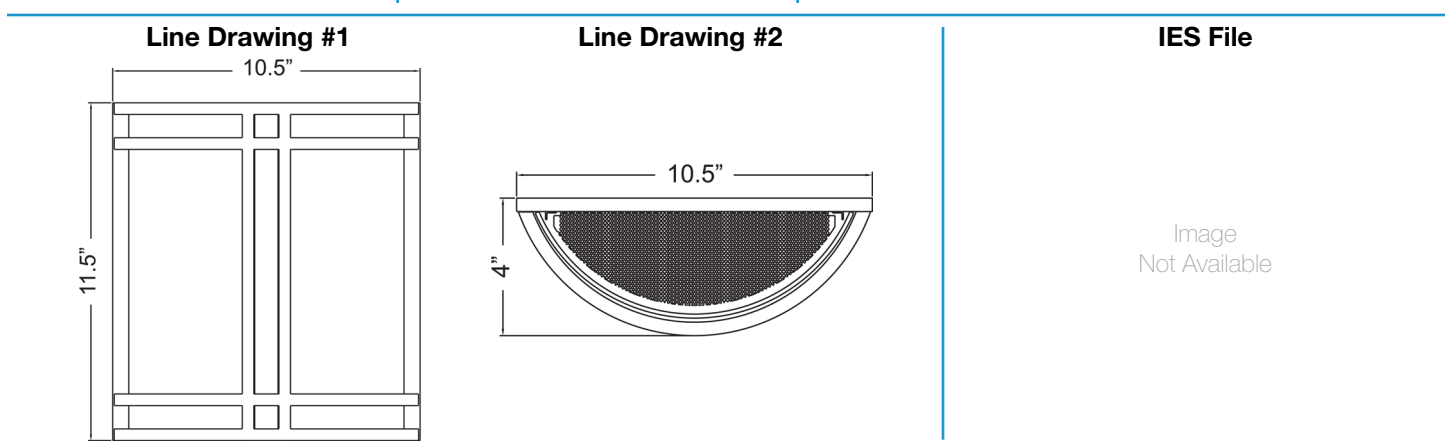
Fixture	Canopy
Length :: N/A	Length :: 11.4"
Width :: 10.5"	Width :: 10.4"
Diameter :: N/A	Diameter :: N/A
Extension :: 4"	Height :: 0.5"
Height :: 11.5"	
Overall Height :: N/A Max.	



**Technical Specifications**

Qualifications	Specifications	Photometrics	Recommended Dimmers
Location Rating :: Dry	Frame Material :: Steel	CCT :: 3000	(ELV) LUTRON Skylark SELV-300P; (MLV) COOPER Aspire 9530SW; (TRIAC) LEGRAND Titan CD703-PW
Certification :: cULus	Diffuser Material :: Glass	CRI :: 93	
IES File :: No	Voltage :: 120v	Wattage :: 20 W	
JA8 Compliant :: Yes	Lamping Type :: Replacable LED	Nominal Lumens :: 1600	
Title 20 Compliant :: Yes	Lamping Base :: E-26	Delivered Lumens :: N/A	
Energy Star :: Yes	Lamp Quantity :: 2		
ADA Compliant :: Yes	Lamp Wattage :: 10 W		
Marine Grade :: No	Total Wattage :: 20 W		
Emergency Lighting :: No	Lamps Included :: Yes		
Warranty :: 3 Year Limited	J-Box Type :: Standard		

**Custom Options :: N/A; Additional Items :: N/A**



**Toll Free 800-828-5483 or www.AccessLighting.com**

14410 Myford Road, Irvine, CA 92606

The information provided is subject to change without notice. ©2018 Access Lighting Corporation. All Rights Reserved  
 Rev. 201901 Filename: 20420LEDDLDP-SAT\_OPL.pdf

