

Model No :: **20409LEDD-BL**
 Name :: **Lux**



Project Name :: _____
 Location :: _____
 Type :: _____
 Quantity :: _____
 Notes :: _____

Product Information

Product ID :: 20409
 UPC Code :: 641594229059
 Mounting Type :: Wall
 Finish :: Black (BL)
 Diffuser :: N/A
 Alt. Finishes :: Satin (SAT)
 Alt. Diffusers :: N/A

Product Dimensions

Fixture		Canopy	
Length ::	N/A	Length ::	N/A
Width ::	6.1"	Width ::	N/A
Diameter ::	N/A	Diameter ::	N/A
Extension ::	1.77"	Height ::	N/A
Height ::	11.81"		
Overall Height ::	N/A Max.		



Technical Specifications

Qualifications

Location Rating :: Damp
 Certification :: cULus
 IES File :: No
 JA8 Compliant :: No
 Title 20 Compliant :: N/A
 Energy Star :: No
 ADA Compliant :: Yes
 Marine Grade :: No
 Emergency Lighting :: No
 Warranty :: 5 Year Limited

Specifications

Frame Material :: Aluminum
 Diffuser Material :: N/A
 Voltage :: 120-277v
 Lamping Type :: Dedicated LED
 Lamping Base :: SSL
 Lamp Quantity :: 2
 Lamp Wattage :: 6 W
 Total Wattage :: 12 W
 Lamps Included :: Yes
 J-Box Type :: Standard

Photometrics

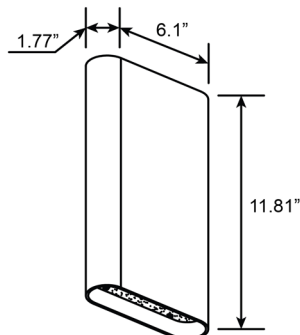
CCT :: 3000
 CRI :: 85
 Wattage :: 12 W
 Nominal Lumens :: 1000
 Delivered Lumens :: N/A

Recommended Dimmers

Lutron DVELV-300P (Diva);
 Lutron SELV-300P (Skylark);
 Leviton IPE04 (IllumaTech)

Custom Options :: N/A; Additional Items :: N/A

Line Drawing #1



Line Drawing #2

Image Not Available

IES File

Image Not Available

Toll Free 800-828-5483 or www.AccessLighting.com

14410 Myford Road, Irvine, CA 92606

The information provided is subject to change without notice. ©2018 Access Lighting Corporation. All Rights Reserved
 Rev. 201901 Filename: 20409LEDD-BL.pdf

