

Model No.: **20012LEDDMG-BRZ/RFR**
 Name: **Neptune**



Project Name :: _____
 Location :: _____
 Type :: _____
 Quantity :: _____
 Notes :: _____

Product Information

Product ID :: 20012
 UPC Code :: 641594225297
 Mounting Type :: Wall
 Finish :: Bronze (BRZ)
 Diffuser :: Ribbed Frosted (RFR)
 Alt. Finishes :: Satin (SAT)
 Alt. Diffusers :: N/A

Product Dimensions

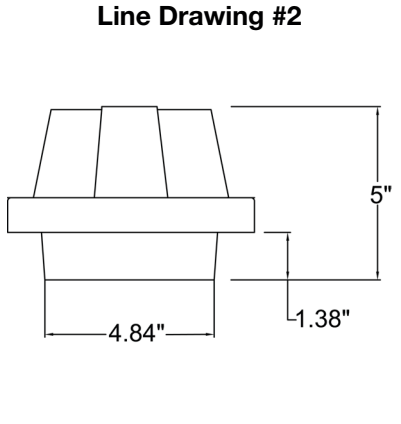
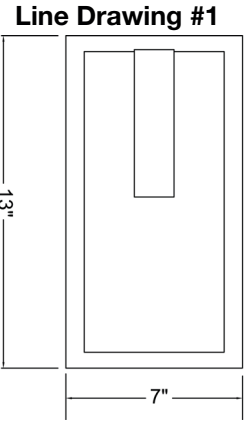
Fixture		Canopy
Length :: N/A		Length :: 7"
Width :: 7"		Width :: 4.6"
Diameter :: N/A		Diameter :: N/A
Extension :: 5"		Height :: N/A
Height :: 13"		
Overall Height :: N/A Max.		



Technical Specifications

Qualifications	Specifications	Photometrics	Recommended Dimmers
Location Rating :: Wet	Frame Material :: Aluminum	CCT :: 3000	(ELV) LUTRON Diva DVELV-300P; (ELV) LUTRON Diva DVELV-303P; (ELV) LUTRON Skylark SELV-300P
Certification :: cULus	Diffuser Material :: Glass	CRI :: 90	
IES File :: No	Voltage :: 120v	Wattage :: 13 W	
JA8 Compliant :: No	Lamping Type :: Dedicated LED	Nominal Lumens :: 1265	
Title 20 Compliant :: N/A	Lamping Base :: SSL	Delivered Lumens :: N/A	
Energy Star :: No	Lamp Quantity :: 1		
ADA Compliant :: No	Lamp Wattage :: 13 W		
Marine Grade :: Yes	Total Wattage :: 13 W		
Emergency Lighting :: No	Lamps Included :: Yes		
Warranty :: 5 Year Limited	J-Box Type :: Standard		

Custom Options :: Alternate Color Temperature Available, Available in 0-10V Dim, Available in 277V; **Additional Items** :: N/A



IES File

Image Not Available

Toll Free 800-828-5483 or www.AccessLighting.com

14410 Myford Road, Irvine, CA 92606
 The information provided is subject to change without notice. ©2018 Access Lighting Corporation. All Rights Reserved
 Rev. 201901 Filename: 20012LEDDMG-BRZ_RFR.pdf

