

Model No.: **20011LEDDMG-BRZ/RFR**
 Name: **Nevis**



Project Name :: _____
 Location :: _____
 Type :: _____
 Quantity :: _____
 Notes :: _____

Product Information

Product ID :: 20011
 UPC Code :: 641594225709
 Mounting Type :: Wall
 Finish :: Bronze (BRZ)
 Diffuser :: Ribbed Frosted (RFR)
 Alt. Finishes :: Satin (SAT)
 Alt. Diffusers :: N/A

Product Dimensions

Fixture		Canopy
Length ::	N/A	Length :: 4.6"
Width ::	7"	Width :: 4.6"
Diameter ::	N/A	Diameter :: N/A
Extension ::	5"	Height :: 0.5"
Height ::	10.5"	
Overall Height ::	N/A Max.	



Technical Specifications

Qualifications

Location Rating :: Wet
 Certification :: cULus
 IES File :: No
 JA8 Compliant :: No
 Title 20 Compliant :: N/A
 Energy Star :: No
 ADA Compliant :: No
 Marine Grade :: Yes
 Emergency Lighting :: No
 Warranty :: 5 Year Limited

Specifications

Frame Material :: Aluminum
 Diffuser Material :: Glass
 Voltage :: 120v
 Lamping Type :: Dedicated LED
 Lamping Base :: SSL
 Lamp Quantity :: 1
 Lamp Wattage :: 13 W
 Total Wattage :: 13 W
 Lamps Included :: Yes
 J-Box Type :: Standard

Photometrics

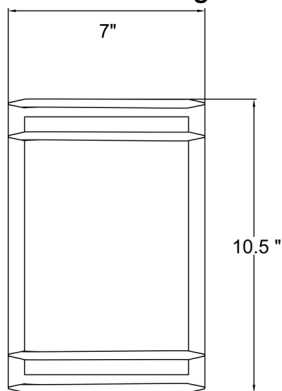
CCT :: 3000
 CRI :: 90
 Wattage :: 13 W
 Nominal Lumens :: 1250
 Delivered Lumens :: N/A

Recommended Dimmers

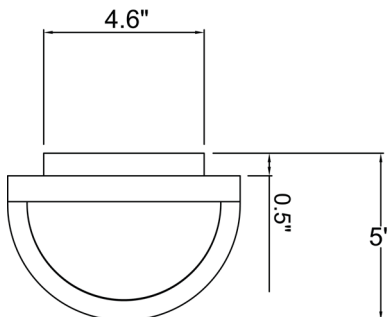
(ELV) LUTRON Diva DVELV-300P; (ELV) LUTRON Diva DVELV-303P; (ELV) LUTRON Skylark SELV-300P

Custom Options :: Alternate Color Temperature Available, Available in 0-10V Dim, Available in 277V; **Additional Items** :: N/A

Line Drawing #1



Line Drawing #2



IES File

Image Not Available

Toll Free 800-828-5483 or www.AccessLighting.com

14410 Myford Road, Irvine, CA 92606

The information provided is subject to change without notice. ©2018 Access Lighting Corporation. All Rights Reserved
 Rev. 201901 Filename: 20011LEDDMG-BRZ_RFR.pdf

