

Model No :: **20075LEDD-BRZ/ACR**  
 Name :: UIKO



Project Name :: \_\_\_\_\_  
 Location :: \_\_\_\_\_  
 Type :: \_\_\_\_\_  
 Quantity :: \_\_\_\_\_  
 Notes :: \_\_\_\_\_

**Product Information**

Product ID :: 20075  
 UPC Code :: 641594224610  
 Mounting Type :: Ceiling  
 Finish :: Bronze  
 Diffuser :: Acrylic Lens  
 Alt. Finishes :: Bronze (BRZ); Silver (SILV); White (WH)  
 Alt. Diffusers :: Acrylic Lens (ACR)

**Product Dimensions**

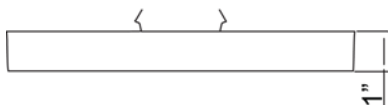
Fixture	Canopy
Length :: 7	Length ::
Width :: 7	Width ::
Diameter ::	Diameter ::
Extension ::	Height ::
Height :: 1	
Overall Height ::	



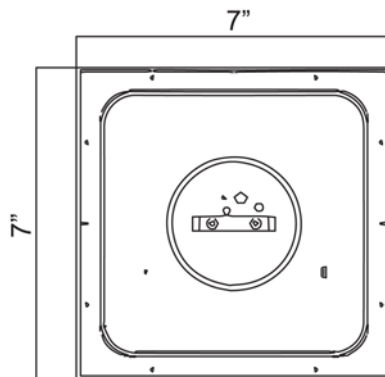
**Technical Specifications**

Qualifications	Specifications	Photometrics	Recommended Dimmers
Location Rating :: Wet	Frame Material :: Acrylic	CCT :: 3000 K	(ELV) LUTRON Skylark SELV-300P; (MLV) LUTRON Diva DVLV-600P; (TRIAC) LEVITON Decora Sureslide 6674; (TRIAC) LEVITON Surslide 6631; (TRIAC) LEVITON Trimatron 6684; (TRIAC) LUTRON Diva DV-600P; (TRIAC) LUTRON Diva DVCL-153P
Certification :: ETL Listed (US/Canada)	Diffuser Material:: Acrylic	CRI :: 90	
IES File ::	Voltage :: 120v	Wattage :: 15 W	
JA8 Compliant :: No	Lamping Type :: LED SSL (DLED)	Nominal Lumens :: 1300	
Energy Star :: No	Lamping Base :: SSL	Delivered Lumens :: 1134	
ADA Compliant :: No	Lamp Quantity :: 1	Additional Items ::	
Marine Grade :: No	Lamp Wattage :: 15 W		
Emergency Lighting :: No	Total Wattage :: 15 W		
Warranty :: 1 Year Limited	Lamps Included :: Yes		
	J-Box Type :: Standard		

**Line Drawing #1**



**Line Drawing #2**



**IES File**

Image  
Not Available

**Toll Free 800-828-5483 • www.AccessLighting.com**

14410 Myford Road, Irvine, CA 92606

The information provided is subject to change without notice. ©2020 Access Lighting Corporation. All Rights Reserved  
 Rev. 202105 Filename:: 20075LEDD-BRZ\_ACR.pdf

