



INSTALLATION INSTRUCTIONS

IMPORTANT

Before assembling your **ACCESS LIGHTING** fixture, please make sure that you carefully read through these instruction sheets. Consider having your fixture installed by a qualified licensed electrician.

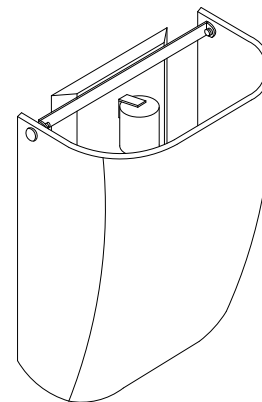
NOTE The important safeguards and instructions that appear in this manual are not meant to cover all possible conditions and situations that may occur. It must be understood that common sense, caution and care, are factors that can't be built into any product. These factors must be supplied by the person(s) caring for and operating the fixture.

GENERAL INFORMATION

All electrical connections must be in accordance with all ordinances, Local and National Electrical Codes. These fixtures are intended for mounting to a standard 4" x 2 1/2" metal octagon outlet box. The box must be directly supported by the building structure and U.L. Recognized.

STEP BY STEP INSTRUCTIONS

Before starting your installation disconnect the Power by turning off the Circuit Breaker or by removing the fuse at the fuse box. Just turning the light off at the light switch is not sufficient to prevent electrical shock.



COLLECTION
ELEMENTARY

APPLICATION
Wall Fixture

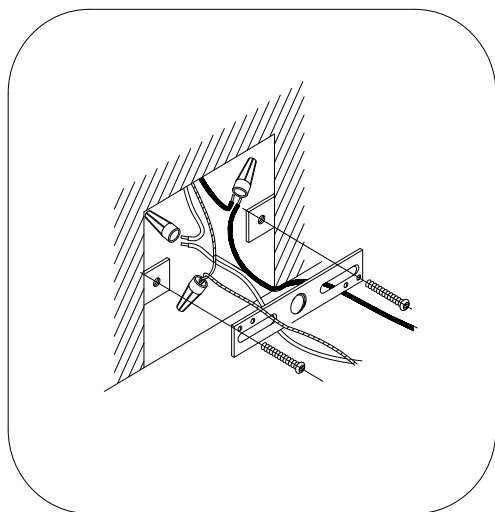
MODEL NO.
20419LEDD

WHAT WE PROVIDE

- Crossbar
- Mounting Hardware
- Mounting Plate
- 1 x Glass Shade
- 1x11W E26 A19 LED Bulb

WHAT YOU NEED

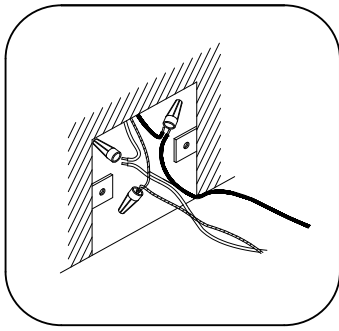
- Screwdriver
- Wire Cutters
- Wiring Supplies as Specified by Electrical Code



1

MOUNT CROSSBAR

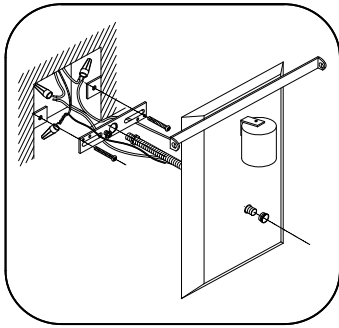
If there is an existing fixture remove it. Expose the supply wires from the j-box. Mount the supplied crossbar to the J-Box.



2

CONNECT THE WIRES

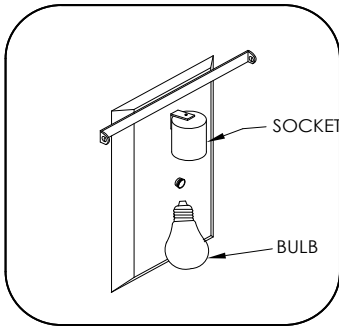
Gently pull the supply wires. Connect the black fixture wire to the black supply wire and the white fixture wire to the white supply wire. Connect the fixture ground wire to the ground wire from the J-Box. Secure all connections with the supplied wire connectors and U.L listed electrical tape (not supplied). Tuck all wires carefully into the J-Box.



3

MOUNT THE WALL PLATE

Insert the nipple into the central hole of the crossbar, and adjust to suitable length. Fasten the Hex nut against the nipple so that the nipple will not rotate further. Position the wall plate against the Wall, make the nipple pass through the center hole of the wall plate, then secure the wall plate against the Wall by screwing the Decorative cap onto the nipple.



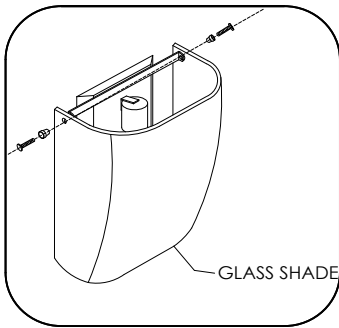
4

INSERT THE BULB

Insert the bulb.

MAXIMUM WATTAGE 100W incandescent equivalent.

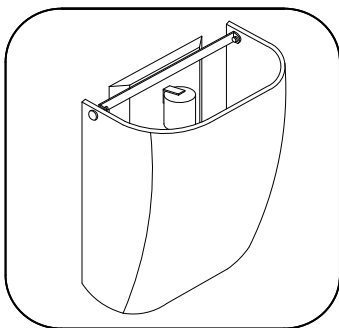
DO NOT EXCEED THE RECOMMENDED WATTAGE AS STATED ON THE WARNING LABEL AND INSTRUCTION SHEETS.



5

ATTACH THE GLASS SHADE

Insert the plastic bushings into the glass side holes to avoid the glass being broken by the metal finials. Make the metal finials pass through the plastic bushings in glass side holes. And screw into the threaded holes on the fixture to secure the glass shade against the wall. Take care when assembling or disassembling shade avoid breakage of shade



6

RESTORE THE ELECTRICITY AND CHECK THE OPERATION OF YOUR NEW ACCESS LIGHTING FIXTURE

