

Model No :: **20010LEDDMGLP-BL/RFR**
 Name :: Bermuda



Project Name :: _____
 Location :: _____
 Type :: _____
 Quantity :: _____
 Notes :: _____

Product Information

Product ID :: 20010
 UPC Code :: 641594206616
 Mounting Type :: Wall
 Finish :: Black
 Diffuser :: Ribbed Frosted
 Alt. Finishes :: Black (BL); Bronze (BRZ); Satin (SAT);
 White (WH); White (WHT)
 Alt. Diffusers :: Ribbed Frosted (RFR)

Product Dimensions

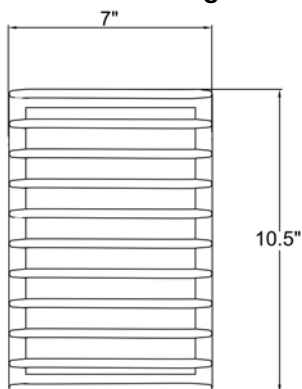
Fixture	Canopy
Length ::	Length :: 4.75
Width :: 7	Width :: 4.75
Diameter ::	Diameter ::
Extension :: 5	Height :: 0.5
Height :: 10.5	
Overall Height ::	



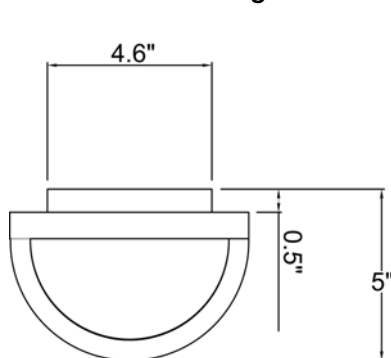
Technical Specifications

Qualifications	Specifications	Photometrics	Recommended Dimmers
Location Rating :: Wet	Frame Material :: Aluminum	CCT :: 3000 K	(ELV) LUTRON Skylark SELV-300P; (MLV) COOPER Aspire 9530SW; (TRIAC) LEGRAND Titan CD703-PW
Certification :: UL Listed (US/Canada)	Diffuser Material :: Glass	CRI :: 90	
IES File ::	Voltage :: 120v	Wattage :: 10 W	
JA8 Compliant :: No	Lamping Type :: A-19 (RLED)	Nominal Lumens :: 800	
Energy Star :: No	Lamping Base :: E-26	Delivered Lumens ::	
ADA Compliant :: No	Lamp Quantity :: 1	Additional Items ::	
Marine Grade :: No	Lamp Wattage :: 10 W		
Emergency Lighting :: No	Total Wattage :: 10 W		
Warranty :: 3 Year Limited	Lamps Included :: Yes		
	J-Box Type :: Standard		

Line Drawing #1



Line Drawing #2



IES File

Image Not Available

Toll Free 800-828-5483 • www.AccessLighting.com

14410 Myford Road, Irvine, CA 92606

The information provided is subject to change without notice. ©2020 Access Lighting Corporation. All Rights Reserved
 Rev. 202105 Filename:: 20010LEDDMGLP-BL_RFR.pdf

