

Model No :: **20330MG-BL/FST**
 Name :: **Oden**



Project Name :: _____
 Location :: _____
 Type :: _____
 Quantity :: _____
 Notes :: _____

Product Information

Product ID :: 20330
 UPC Code :: 641594218350
 Mounting Type :: Wall
 Finish :: Black (BL)
 Diffuser :: Frosted (FST)
 Alt. Finishes :: Satin (SAT)
 Alt. Diffusers :: N/A

Product Dimensions

Fixture		Canopy
Length :: 10.25"		Length :: 10.25"
Width :: 10.25"		Width :: 10.25"
Diameter :: N/A		Diameter :: N/A
Extension :: 4.75"		Height :: 1.2"
Height :: N/A		
Overall Height :: N/A Max.		



Technical Specifications

Qualifications

Location Rating :: Wet
 Certification :: cETLus
 IES File :: No
 JA8 Compliant :: No
 Title 20 Compliant :: N/A
 Energy Star :: No
 ADA Compliant :: No
 Marine Grade :: Yes
 Emergency Lighting :: No
 Warranty :: 1 Year Limited

Specifications

Frame Material :: Aluminum
 Diffuser Material :: Glass
 Voltage :: 120v
 Lamping Type :: Incandescent
 Lamping Base :: E-26
 Lamp Quantity :: 2
 Lamp Wattage :: 60 W
 Total Wattage :: 120 W
 Lamps Included :: No
 J-Box Type :: Standard

Photometrics

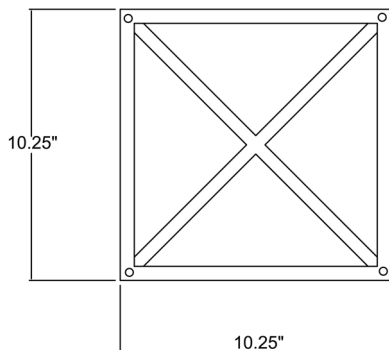
CCT :: 2700
 CRI :: N/A
 Wattage :: 120 W
 Nominal Lumens :: 1600
 Delivered Lumens :: N/A

Recommended Dimmers

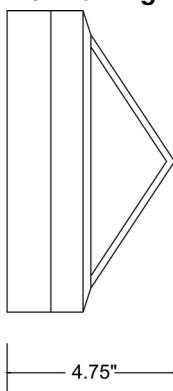
(TRIAC) Any Standard Dimmer

Custom Options :: N/A; Additional Items :: N/A

Line Drawing #1



Line Drawing #2



IES File

Image Not Available

Toll Free 800-828-5483 or www.AccessLighting.com

14410 Myford Road, Irvine, CA 92606

The information provided is subject to change without notice. ©2018 Access Lighting Corporation. All Rights Reserved
 Rev. 201901 Filename:: 20330MG-BL_FST.pdf

