

access

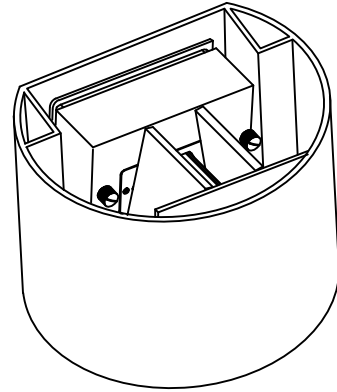
L I G H T I N G

INSTALLATION INSTRUCTIONS

IMPORTANT

Before assembling your ACCESS LIGHTING fixture, please make sure that you carefully read through these instruction sheets. Consider having your fixture installed by a qualified licensed electrician.

NOTE: The important safeguards and instructions that appear in this manual are not meant to cover all possible conditions and situations that may occur. It must be understood that common sense, caution and care, are factors that can't be built into any product. These factors must be supplied by the person(s) caring for and operating the fixture.

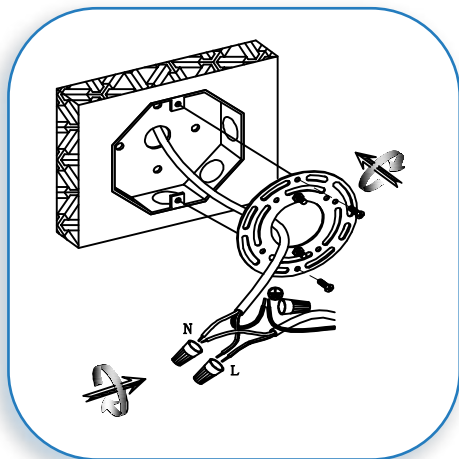


GENERAL INFORMATION

All electrical connections must be in accordance with all ordinances, Local and National Electrical Codes. These fixtures are intended for mounting to a standard 4" x 2 1/2" metal octagon outlet box. The box must be directly supported by the building structure and U.L. Recognized.

STEP BY STEP INSTRUCTIONS

Before starting your installation disconnect the Power by turning off the Circuit Breaker or by removing the fuse at the fuse box. Just turning the light off at the light switch is not sufficient to prevent electrical shock.



COLLECTION
CURVE

APPLICATION
Wall Fixture

MODEL NO.
20399LEDMGRND

WHAT WE PROVIDE

- Crossbar
- Mounting Hardware
- LED

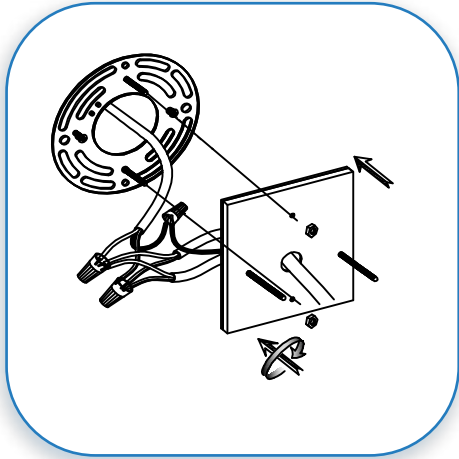
WHAT YOU NEED

- Screwdriver
- Wire Cutters
- Wiring Supplies as Specified by Electrical Code

PREPARE FIXTURE AND CONNECT THE WIRES

1

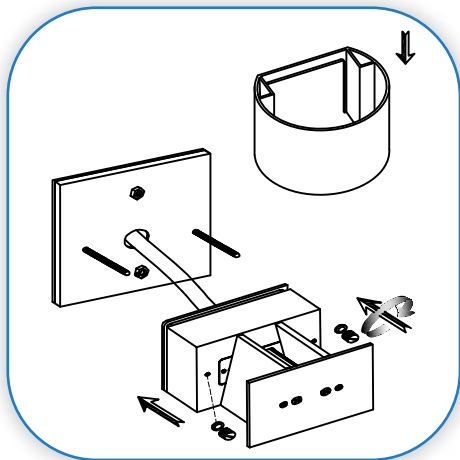
If there is an existing fixture remove it. Gently pull the supply wires out of the J-box. Mount the crossbar to the J-box with the supplied screws. Connect the black supply wire to the black fixture wire. Secure with the supplied wire nuts. Connect the white supply wires to the white fixture wire. Secure with the supplied wire nuts. Either wrap the green wire around one of the protruding screws or connect it to the supply ground wire. Secure all wires with U.L. Certified electrical tape (not supplied). Tuck all wires carefully into the J-Box.



2

MOUNT THE BACKPLATE

Fit the backplate up to the crossbar.
Align the holes of backplate and secure with the supplied screw nuts.

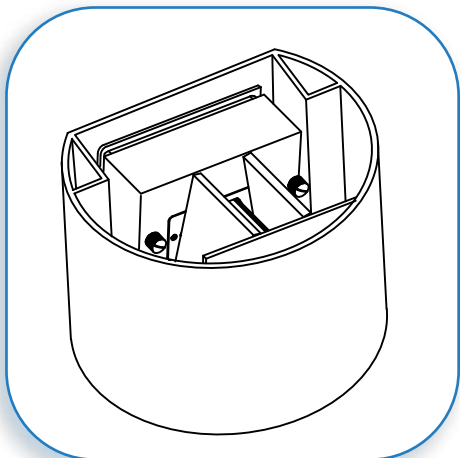


3

MOUNT THE FIXTURE AND COVER THE SHADE

Align the fixture holes with the backplate screw and secure with the supplied screw knobs (with screw gaskets)
Slide the cover shade into its designated slot from the top.

* This fixture is wet location rated. In order to ensure that moisture does not enter the outlet box and cause a short circuit, clear caulking should be used to seal the space between the fixture mounting bracket and the wall. Ensure that a space is left at the bottom to allow for the escape of moisture. It is recommended that Indoor/Outdoor Silicon Sealant be used for that purpose**



4

RESTORE THE ELECTRICITY AND CHECK THE OPERATION OF YOUR NEW ACCESS LIGHTING FIXTURE

