

Model No. :: **20010MG-BL/RFR**
 Name :: **Bermuda**



Project Name :: _____
 Location :: _____
 Type :: _____
 Quantity :: _____
 Notes :: _____

Product Information

Product ID :: 20010
 UPC Code :: 641594206470
 Mounting Type :: Wall
 Finish :: Black (BL)
 Diffuser :: Ribbed Frosted (RFR)
 Alt. Finishes :: Bronze (BRZ); Satin (SAT); White (WH); White (WHT)
 Alt. Diffusers :: N/A

Product Dimensions

Fixture		Canopy
Length ::	N/A	Length :: 4.6"
Width ::	7"	Width :: 4.6"
Diameter ::	N/A	Diameter :: N/A
Extension ::	5"	Height :: 0.5"
Height ::	10.5"	
Overall Height ::	N/A Max.	



Technical Specifications

Qualifications

Location Rating :: Wet
 Certification :: cULus
 IES File :: No
 JA8 Compliant :: No
 Title 20 Compliant :: N/A
 Energy Star :: No
 ADA Compliant :: No
 Marine Grade :: Yes
 Emergency Lighting :: No
 Warranty :: 1 Year Limited

Specifications

Frame Material :: Aluminum
 Diffuser Material :: Glass
 Voltage :: 120v
 Lamping Type :: Incandescent
 Lamping Base :: E-26
 Lamp Quantity :: 1
 Lamp Wattage :: 60 W
 Total Wattage :: 60 W
 Lamps Included :: No
 J-Box Type :: Standard

Photometrics

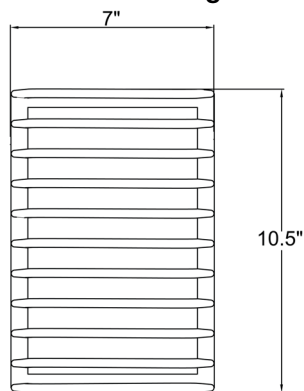
CCT :: 2700
 CRI :: N/A
 Wattage :: 60 W
 Nominal Lumens :: 800
 Delivered Lumens :: N/A

Recommended Dimmers

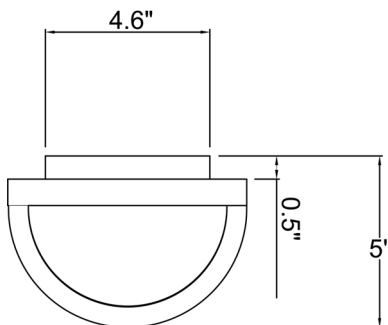
(TRIAC) Any Standard Dimmer

Custom Options :: N/A; **Additional Items** :: N/A

Line Drawing #1



Line Drawing #2



IES File

Image Not Available

Toll Free 800-828-5483 or www.AccessLighting.com

14410 Myford Road, Irvine, CA 92606

The information provided is subject to change without notice. ©2018 Access Lighting Corporation. All Rights Reserved
 Rev. 201901 Filename:: 20010MG-BL_RFR.pdf

