

Model No :: **20363-BL**  
 Name :: **Poseidon**



Project Name :: \_\_\_\_\_  
 Location :: \_\_\_\_\_  
 Type :: \_\_\_\_\_  
 Quantity :: \_\_\_\_\_  
 Notes :: \_\_\_\_\_

**Product Information**

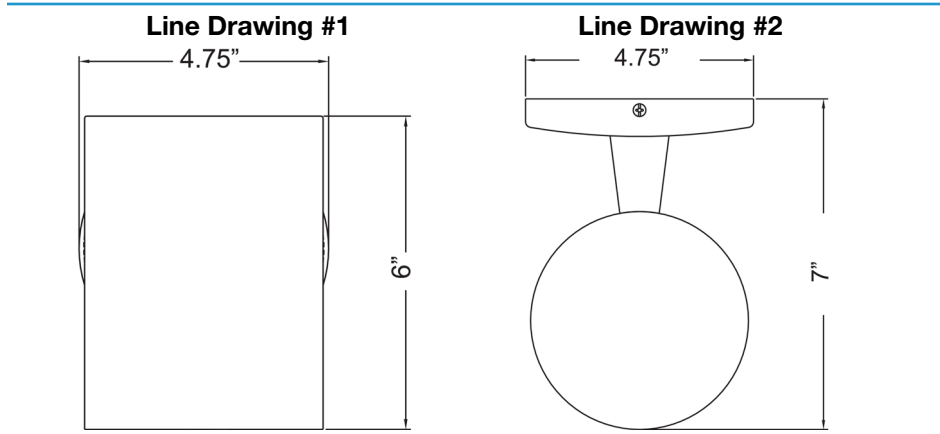
Product ID :: 20363  
 UPC Code :: 641594153507  
 Mounting Type :: Wall  
 Finish :: Black (BL)  
 Diffuser :: N/A  
 Alt. Finishes :: Bronze (BRZ); Satin (SAT)  
 Alt. Diffusers :: N/A

**Product Dimensions**

<b>Fixture</b>		<b>Canopy</b>	
Length ::	N/A	Length ::	N/A
Width ::	4.75"	Width ::	N/A
Diameter ::	N/A	Diameter ::	4.75"
Extension ::	7"	Height ::	0.4"
Height ::	6"		
Overall Height ::	N/A Max.		

**Technical Specifications**

Qualifications	Specifications	Photometrics	Recommended Dimmers
Location Rating :: Wet	Frame Material :: Steel	CCT :: 2700	(TRIAC) Any Standard Dimmer
Certification :: cULus	Diffuser Material :: N/A	CRI :: N/A	
IES File :: No	Voltage :: 120v	Wattage :: 60 W	
JA8 Compliant :: No	Lamping Type :: Incandescent	Nominal Lumens :: 840	
Title 20 Compliant :: N/A	Lamping Base :: E-26	Delivered Lumens :: N/A	
Energy Star :: No	Lamp Quantity :: 1		
ADA Compliant :: No	Lamp Wattage :: 60 W		
Marine Grade :: No	Total Wattage :: 60 W		
Emergency Lighting :: No	Lamps Included :: No		
Warranty :: 1 Year Limited	J-Box Type :: Standard		
<b>Custom Options :: N/A; Additional Items :: N/A</b>			



**IES File**

Image Not Available

**Toll Free 800-828-5483 or www.AccessLighting.com**

14410 Myford Road, Irvine, CA 92606  
 The information provided is subject to change without notice. ©2018 Access Lighting Corporation. All Rights Reserved  
 Rev. 201901 Filename:: 20363-BL.pdf

